

Fold line

Fold line

Fold line

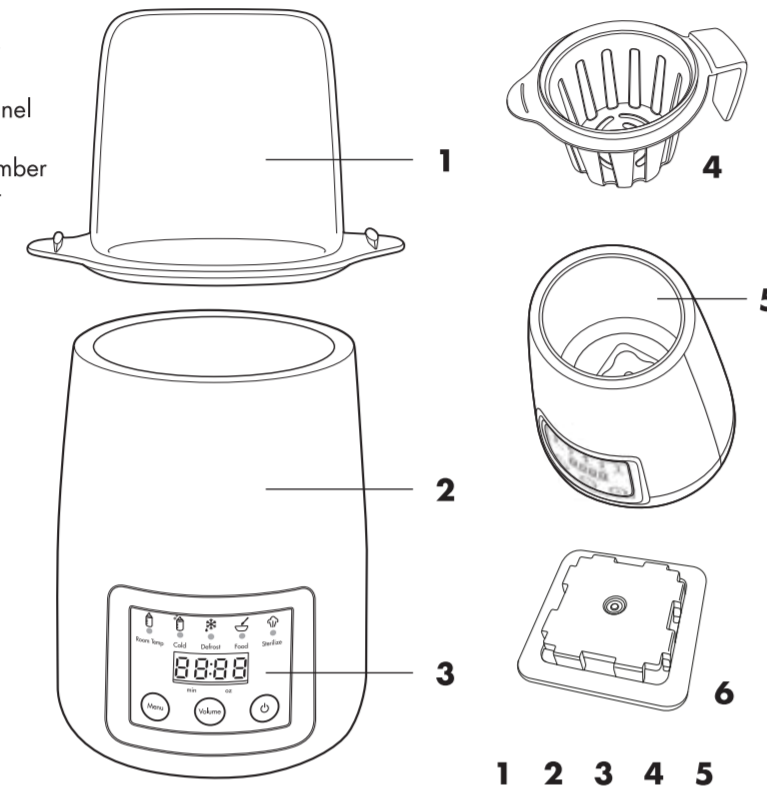
Fold line

Fold line

Fold line

the first years®
Gentle Warmth™ Digital Bottle Warmer
Instructions
 Y7864

PRODUCT
 1. Top Cover
 2. Body
 3. Control Panel
 4. Basket
 5. Inner Chamber
 6. Bottle Seat



CONTROL PANEL
 1. Room Temp
 2. Cold
 3. Defrost
 4. Food
 5. Sterilize
 6. Warming Time Display
 7. Bottle Volume Display
 8. Menu Button
 9. Volume Button
 10. On/Off Button

READ ALL INSTRUCTIONS BEFORE USING.
KEEP THESE INSTRUCTIONS FOR FUTURE REFERENCE.
FOR HOUSEHOLD USE ONLY.

CAUTIONS

- The water in chamber, bottle, or baby food jar may be hot. Avoid touching until cycle is finished.
- Do not use mineral water as it may cause scale buildup in the inner chamber.
 - Before removing the top cover, make sure the machine has cooled down completely.
 - Allow the appliance to rest for 30 minutes between operating cycles in order to prolong service life.
 - Always test the temperature of milk or food before feeding baby.
 - Always allow water to cool and empty all water from the warmer after each operation. Always refill with fresh water before starting a new operation.

IMPORTANT SAFEGUARDS

- When using the electrical appliance, the below basic safety precautions should be followed: Read all instructions.
- Before using appliance, check that your voltage power corresponds to the one shown on the appliance's nameplate.
 - Do not operate any appliance with a damaged cord, damaged plug, or after the appliance malfunctions or has been damaged in any way.
 - Always use the appliance on a level and stable work surface away from water.
 - Do not place the appliance on or near a hot gas or electric burner or in a heated oven.
 - Do not operate the appliance without water, it may damage the heating element. If this does happen for any reason, you should immediately unplug the appliance from the outlet. After cooling the appliance for 15 minutes, pour cool water in the appliance.
 - Do not let the cord touch any hot surface.
 - Do not let children pull the power cord or touch the appliance. They may hurt themselves or damage the appliance.
 - Do not operate the unit with other appliances with large power requirements.
 - While operating the appliance, be very careful of the hot steam coming out from the top cover.
 - Always use mitts or clips when handling hot parts. After sterilizing, allow time for the appliance to cool down and open the top cover carefully to avoid being scalded by steam.
 - Do not touch any hot parts such as base, heating element of base, the top cover, etc. to avoid being scalded.
 - Do not move the appliance while it is in operation.
 - The use of any attachment not recommended or sold by the manufacture may cause fire, electric shock or injury. Do not use unauthorized attachments.
 - Always unplug the appliance when not in use and for any cleaning, assembly or disassembly. Before cleaning, make sure the appliance has cooled down completely.
 - Never immerse the appliance in water or any other liquid.
 - This product is not a toy, do not allow children to play with it.

- Do not touch hot surface. Use handle or knob.
- Do not use outdoors.
- Do not use appliance for other than intended use.
- Close supervision is necessary when any appliance is used by or near children.
- Extreme caution must be used when moving an appliance containing hot liquids.
- To disconnect, turn any control to "off", then remove plug from wall outlet.
- Before serving be sure food is at safe temperature.
- Before serving, unplug cord from wall outlet and dish. Do not leave cord within child's reach.
- This appliance has a polarized plug (one blade is wider than the other). To reduce the risk of electric shock, this plug is intended to fit into a polarized outlet only one way. If the plug does not fit fully into the outlet, reverse the plug. If it still does not fit, contact a qualified electrician. Do not attempt to modify the plug in any way.
- a) A short power-supply cord is provided to reduce the risk resulting from becoming entangled in or tripping over a longer cord.
 b) Extension cords are available and may be used if care is exercised in their use.
 c) If extension cord is used:
 1) The marked electrical rating of extension cord should be at least as great as the electrical rating of the appliance;
 2) The cord should be arranged so that it will not drape over the countertop or tabletop where it can be pulled on by children or tripped over unintentionally.
- This appliance is not intended for use by persons (including children) with reduced physical, sensory or mental capabilities, or lack of experience and knowledge, unless they have been given supervision or instruction concerning use of the appliance by a person responsible for their safety.
- Children should be supervised to ensure that they do not play with the appliance.
- This appliance is intended to be used in household and similar applications such as:
 - Staff kitchen areas in shops, offices and other working environments;
 - Farm houses;
 - By clients in hotels, motels and other residential type environments;
 - Bed and breakfast type environments.
- The heating element surface is subject to residual heat after use, avoid contact.
- The food should not be heated for too long.
- Please test the milk temperature before feeding baby! You can drip some milk onto your wrist to test the temperature.

SAVE THESE INSTRUCTIONS



If you have a warranty question or any other customer care questions, please contact our Customer Care team by calling 800-704-8697 or by e-mailing cs@tomy.com. You can also visit our warranty page at: <https://us.tomy.com/warranty>

THE FIRST YEARS name and logo are the trademarks of TOMY, registered in the U.S. and other countries.

TOMY USA
 © 2020 TOMY, TOMY INTERNATIONAL, 2015 SPRING RD., OAK BROOK, IL 60523 USA.
 ALL RIGHTS RESERVED. STYLES AND COLORS MAY VARY. MADE IN CHINA.
 TOUS DROITS RÉSERVÉS. LES STYLES ET LES COULEURS PEUVENT VARIER. FABRIQUÉ EN CHINE.
 Y7864 122220



Front

BEFORE FIRST USE

- Unpack appliance and remove all packing materials.
- Clean all the parts as described in the **CLEANING AND MAINTENANCE** section.

USING THE APPLIANCE

Before starting any new cycle, make sure that the warmer is unplugged.

TO WARM ROOM TEMPERATURE MILK

- Install the Bottle Seat into the inner chamber using the following steps:
 a. Align the bulges of the Bottle Seat with the grooves inside the Inner Chamber.
 b. Press the Bottle Seat firmly downwards to fix it into position.
- Put the bottle filled with milk on the Bottle Seat.
- Fill the Inner Chamber with the appropriate amount of water. The water level should align with the level of milk in the bottle. DO NOT overfill the chamber with water.
- Plug in the warmer, you will hear one long beep and the display panel will show dashes.
- Press the Menu button to toggle to **Room Temp** setting. **NOTE:** The default setting is Room Temp and the default volume is 5 oz. The **Room Temp** symbol will blink to show it is selected.
- Press the Volume button. Select the volume that matches the amount of milk in the bottle. The display will now indicate the corresponding run time and volume.
- Press the Power button. It will illuminate and the **Room Temp** symbol will light solidly to show the warmer is working.
- You will hear three beeps when the warming cycle is complete. The warmer automatically enters into Keep-Warm mode and the display will show dashes. Keep-Warm mode will keep the milk warm for up to 1 hour.

NOTE: If the Keep-Warm hour is over, you will hear six beeps and the warmer will automatically turn off.

ALWAYS test milk temperature before feeding.

TO WARM COLD MILK

- Follow steps 1–4 of the **To Warm Room Temperature Milk** section above.
- Press the Menu button to toggle to the **Cold** setting. The **Cold** symbol will blink to show it is selected.
- Press the Volume button to select the volume that matches the amount of milk in the bottle. The display will now indicate the corresponding run time and volume.

Fold line

Fold line

- Press the Power button. It will illuminate and the **Cold** symbol will light solidly to show the warmer is working.

- You will hear three beeps when the warming cycle is complete. The warmer automatically enters into Keep-Warm mode and the display will show dashes. Keep-Warm mode will keep the milk warm for up to 1 hour.

NOTE: If the Keep-Warm hour is over, you will hear six beeps and the warmer will automatically turn off.

ALWAYS test milk temperature before feeding.

TO DEFROST

- Follow steps 1-4 of the **To Warm Room Temperature Milk** section above.
- Press the Menu button to toggle to the **Defrost** setting. The **Defrost** symbol will blink to show it is selected.
- Press the Volume button to select the volume that matches the amount of milk in the bag. The display will now indicate the corresponding run time and volume.
- Press the Power button. It will illuminate and the **Defrost** symbol will light solidly to show the warmer is working.
- You will hear three beeps when the defrost cycle is complete. The warmer automatically enters into Keep-Warm mode and the display will show dashes. Keep-Warm mode will keep the milk warm for up to 1 hour.

NOTE: If the Keep-Warm hour is over, you will hear six beeps and the warmer will automatically turn off.

ALWAYS test milk temperature before feeding.

TO HEAT 4 OUNCE CONTAINER OF BABY FOOD

- Install the Bottle Seat into the inner chamber using the following steps:
 a. Align the bulges of the Bottle Seat with the grooves inside the Inner Chamber.
 b. Press the Bottle Seat firmly downwards to fix it into position.
- Put the container with baby food into the Basket and place the Basket on the Bottle Seat. **DO NOT** use the food container's lid.
- Fill the inner chamber with the appropriate amount of water. The water level should align with the level of food in the container. DO NOT overfill the chamber with water.
- Plug in the warmer, you will hear one long beep and the display panel will show dashes.

- Press the Menu button to toggle to the **Food** setting. The **Food** symbol will blink to show it is selected.
- Press the Power button. It will illuminate and the **Food** symbol will light solidly to show the warmer is working.
- You will hear three beeps when the heating cycle is complete. The warmer automatically enters into Keep-Warm mode and the display will show dashes. Keep-Warm mode will keep the food warm for up to 1 hour.

NOTE: If the Keep-Warm hour is over, you will hear six beeps and the warmer will automatically turn off.

Mix food thoroughly after warming and ALWAYS test food temperature before feeding.

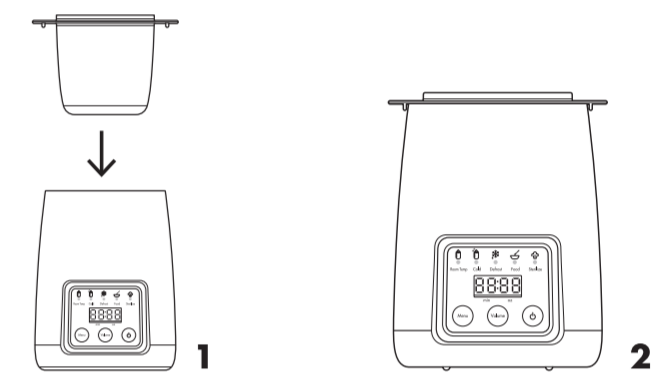
TO STERILIZE

- Install the Bottle Seat into the inner chamber using the following steps:
 a. Align the bulges of the Bottle Seat with the grooves inside the Inner Chamber.
 b. Press the Bottle Seat firmly downwards to fix it into position.
- Put the empty bottle or container (without a lid) onto the Bottle Seat. Sterilize setting can also be used for up to 2 pacifiers or 2 bottle nipples.
- Fill the inner chamber with the 2.7oz (80ml) of room-temperature water 68–77°F (20–25°C). DO NOT overfill the chamber with water.
- Close the top cover.
- Plug in the warmer, you will hear one long beep and the display panel will show dashes.
- Press the Menu button to toggle to the **Sterilize** setting. The **Sterilize** symbol will blink to show it is selected.
- Press the Power button. It will illuminate and the **Sterilize** symbol will light solidly to show the warmer is working.
- You will hear three beeps when the cleaning cycle is complete and the appliance will automatically turn off. After sterilizing, allow time for the appliance to cool down and open the top cover carefully to avoid being scalded by steam.

CLEANING AND MAINTENANCE

Before cleaning, always unplug the appliance and ensure it has completely cooled down

- NOTE:** Never immerse the body or base in water. Do not use scouring pads, solvents or abrasive cleaners as they could damage the unit.
- Rinse the top cover with clean water.
 - Clean the inner surface with mild liquid soap and soft cloth; and then rinse with clean water. Wipe the outside surface with a soft damp cloth.
 - Do not use sharp articles or metal tools to touch the parts in the middle of the heating plate as it may cause electric shock.
 - When not in use, clean and dry the appliance and store it in a dry place with good air circulation.
 - The top cover can be also used to protect the inner chamber from dust. Reverse the top cover and put it into the inner chamber as shown in Fig.1 and Fig.2 below.
 - Any other servicing should be performed by an authorized service representative.
 - The product is for household use.



TO DESCALE THE WARMER

Some mineral deposits may build up in the warmer. These can happen over time and are especially common in areas with hard water. These deposits will influence the warming process and gradually decrease performance.

Before descaling, always unplug the appliance and ensure it has completely cooled down.

- Fill the inner chamber with a mixture of white vinegar and water or citric acid and water (white vinegar/citric acid: water = 3:1). DO NOT overfill.
- Plug in the appliance and press the Menu button.
- Press the Menu button to toggle to the Sterilize setting, and the cycle will start. After the cycle finishes, let the appliance sit until the scale is dissolved.
- Empty the residual water in the inner chamber and clean it thoroughly with clean water.

Back

PM# 099–Y7864A1(Rev#0)
 Open size: 22"(L) x 8.5"(H)
 Folded size: 5.5(L)" x 8.5(H)"
 Color: Black
 Material:80gsm Woodpaper
 Ref#: Ward20201223