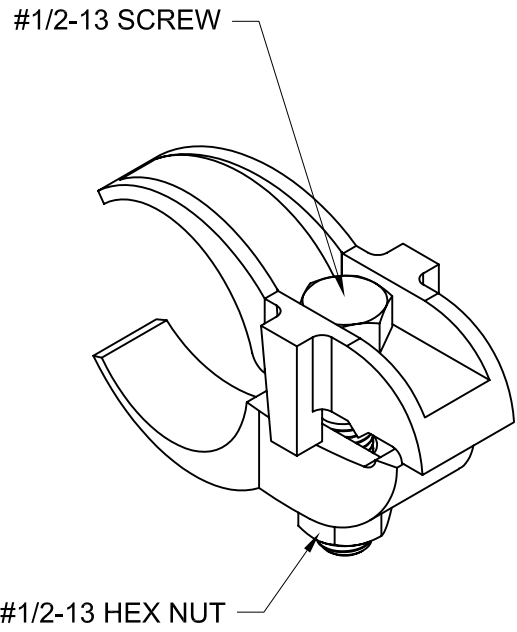
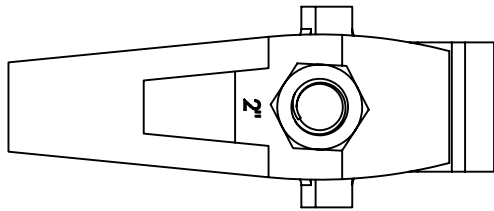
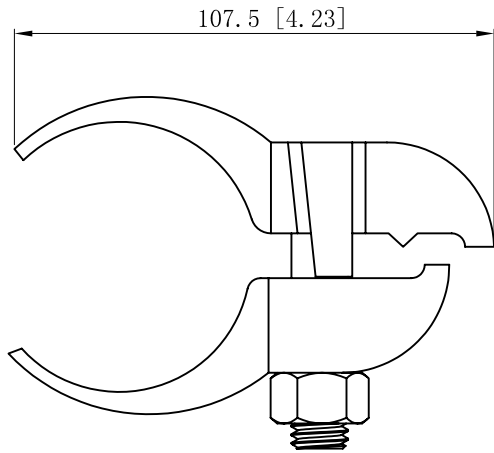
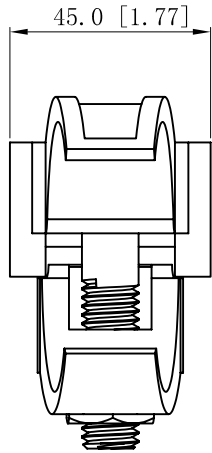


SIDES	BOTTOM
1 pcs #1/2-13×2-1/2 screw install	
1 pcs #1/2-13 hex nut install	
Material: malleable casting, Zinc plated	



DESCRIPTION
TRADE REFERENCE TERMS

This data sheet is for reference only .GARVIN INDUSTRIES reserves the right to make changes to the design without prior notice.

STANDARD PACKING
25 PCS

<b>GARVIN INDUSTRIES</b>		
TITLE CONDUT CLAMPS		
SIZE A4	DWG NO. PAR200	REV
DATA SHEET		