

# INSTALLATION & OPERATING INSTRUCTIONS

PLEASE REVIEW THE INSTRUCTIONS AND WARNINGS LISTED BELOW PRIOR TO PROPER INSTALLATION

## WHEN BYPASSING A BALLAST ALWAYS HAVE A QUALIFIED ELECTRICIAN DO YOUR ELECTRICAL WORK

This LED tube is intended to replace fluorescent tube lamps with ANSI designation 59W/96T8, 75W/96T12W

### WARNINGS

- Risk of fire / electrical shock
- LED Tube bypass ballast installation requires knowledge of luminaire electrical systems. (If you are not a qualified electrician, please do not attempt bypass ballast installation.)
- Risk of electric shock – disconnect power at source before installation
- Do not make or alter any open holes in an enclosure of wiring or electrical components during installation.
- If lamp or luminaire exhibits abnormal operation (buzzing, flickering, minimal light, etc.) turn off power, remove lamp and contact us. For more information please visit [www.feit.com](http://www.feit.com)
- Do not install this lamp in a pre-heat luminaire.
- This lamp only operates on 120-277V. If lamp does not light when the luminaire is energized, remove lamp from luminaire and contact lamp manufacturer or qualified electrician.

### CAUTIONS

- Do not use with dimmers.
- Do not look directly at the operating LED Tube.
- Do not touch this product with wet hands.
- Do not disassemble, repair or alter lamp.
- Suitable for damp locations.
- The luminaires shall be grounded.
- Be careful not to touch the lamp pins to the metal housing when installing.
- This device is not intended for use with emergency exits or emergency lights.

## FCC Statement

This device complies with part 15 of the FCC Rules. Operation is subject to the following two conditions:

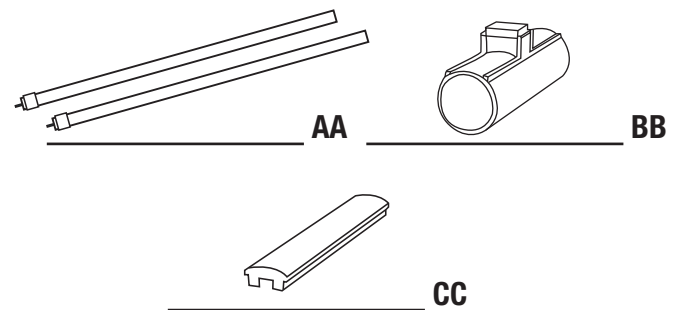
(1) This device may not cause harmful interference, and (2) this device must accept any interference received, including interference that may cause undesired operation. Note: This equipment has been tested and found to comply with the limits for a Class B digital device, pursuant to part 15 of the FCC Rules. These limits are designed to provide reasonable protection against harmful interference in a residential installation. This equipment generates, uses and can radiate radio frequency energy and, if not installed and used in accordance with the instructions, may cause harmful interference to radio communications. However, there is no guarantee that interference will not occur in a particular installation. If this equipment does cause harmful interference to radio or television reception, which can be determined by turning the equipment off and on, the user is encouraged to try to correct the interference by one or more of the following measures: Reorient or relocate the receiving antenna. Increase the separation between the equipment and receiver. Connect the equipment into an outlet on a circuit different from that to which the receiver is connected. Consult the dealer or an experienced radio/TV technician for help.

## HARDWARE INCLUDED



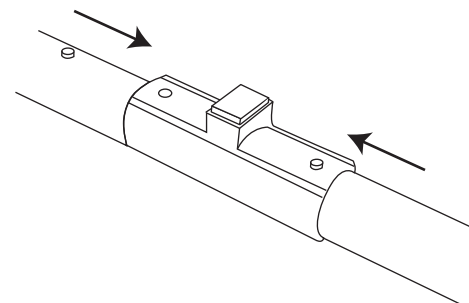
**NOTE: Hardware not shown to actual size.**

Part	Description	Quantity
AA	LED Tubes	2
BB	Magnetic Center LED Tube Support	1
CC	LED Tube Inter Connect	1



## T96/840/LED Assembly Instructions

1. Remove the white caps from LED Tube end without single pin.
2. Slide the Magnetic center LED Tube Support (BB) over the open end of one of the LED Tubes (AA) beyond the locking pin.
3. Insert the LED Tube inter connect (CC) in the semi-circle channel in the same open ends of the same LED tube.
4. Line up the LED inter connect (CC) and slide into the semi-circle channel on the open end of the other LED Tube (AA). Push LED Tubes together until locking pin lines align with the holes in the LED Tube (AA) and lock in place.
5. Push down on the locking pin and slide the Magnetic Center LED tube support to the center position between both LED Tubes (AA).
6. The magnet should be faced inward so the magnet makes contact with the ballast cover on the fluorescent fixture once the lamp is installed preventing sag in the center of the LED Tube (AA).



# Bypass Assembly Instructions

## DOUBLE-ENDED BYPASSING MAGNETIC/ELECTRONIC BALLAST

**1** Turn off the power at the switch and fuse box or circuit breaker.

**2** Remove the existing ballast and existing starter (if present) from the fixture.

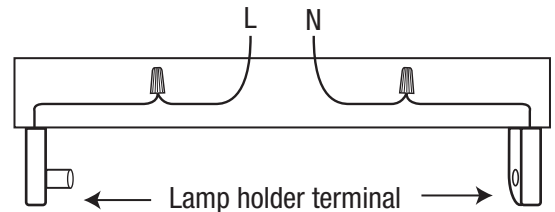
**3** After removing the existing ballast, connect the live wire (L) to the wire coming from the lamp holder terminal. Next, connect the neutral wire (N) to the wire coming from the lamp holder terminal on the other side/end.

### FOR BYPASS INSTALLATION ONLY

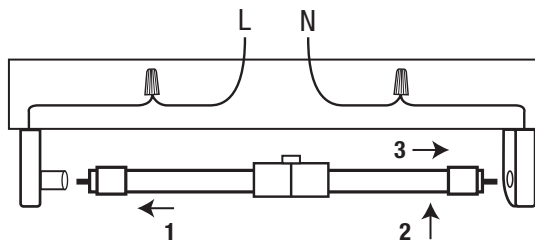
(PROFESSIONAL INSTALLATION IS RECOMMENDED.)



**NOTE:** Installers should not disconnect existing wires from lamp holder terminals to make new connections at lamp holder terminals. Instead installers should cut existing lamp holder leads away from the lamp holder and make new electrical connections to lamp holder lead wires by employing applicable connectors.



**4** Install the Feit T96 LED Tube.



**5** Turn-on the power and enjoy your Feit T96 LED Tube.

**6** After wiring modification is completed, attach the replacement cautionary label onto a visible place on the fixture that is kept visible after the installation of tubes. Remove any pre-existing labels.

### **WARNING!**

USE LED LAMPS ONLY. THIS LUMINAIRE HAS BEEN MODIFIED TO USE LED LAMPS AND CAN NO LONGER OPERATE THE ORIGINALLY INTENDED FLUORESCENT LAMPS SAFELY. FLUORESCENT LAMPS COULD BREAK AND CAUSE PERSONAL INJURY IF USED IN THIS FIXTURE.