

FLEXSTEEL®

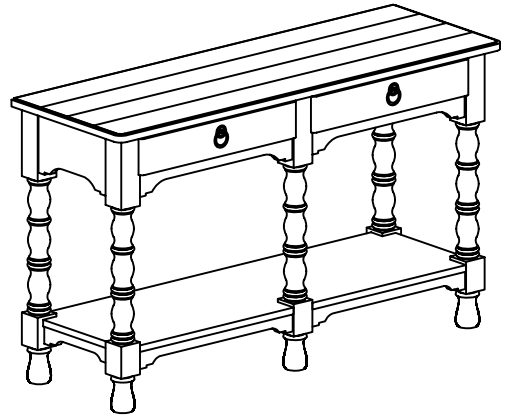
W1447-04

Sofa Table

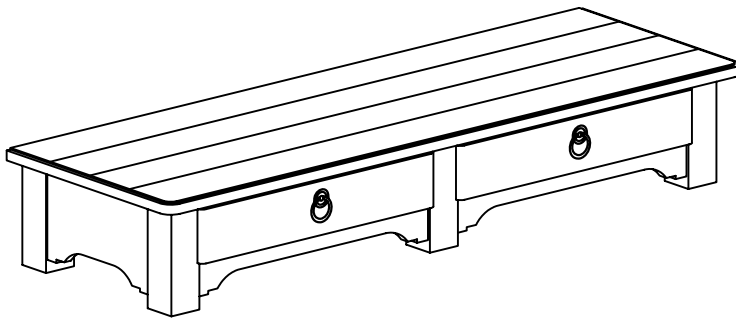
IMPORTANT NOTE

Carefully remove all the parts from the carton and put them individually on a soft cloth to prevent damage to the parts.

We have taken great care in the design of this product and request that you carefully and strictly follow our assembly instructions to ensure a completed product as it was designed.



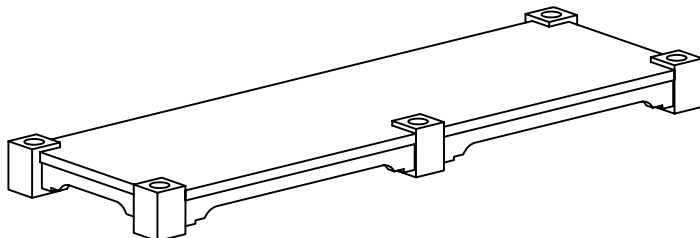
Part List



A. Table Top Section
1 piece



B. Leg
5 pieces

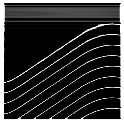


C. Shelf
1 piece



D. Foot
5 pieces

Tool(s) recommended for assembly: Level



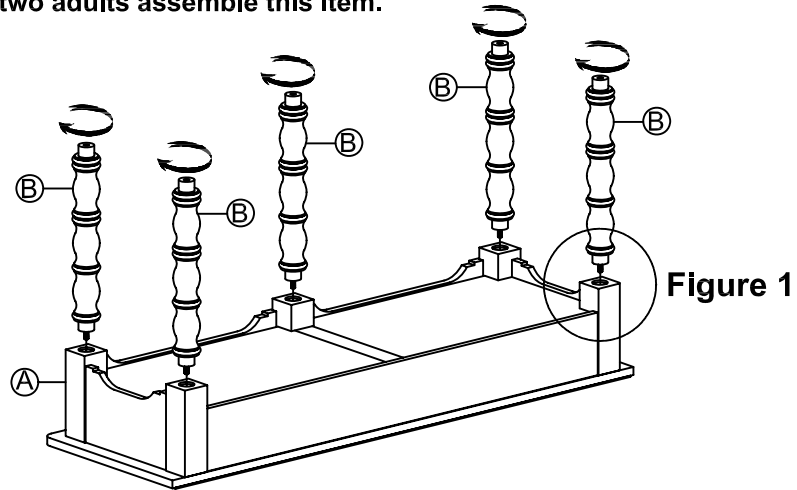
IMPORTANT

- Use a soft cloth between these parts and the floor.

STEP 1

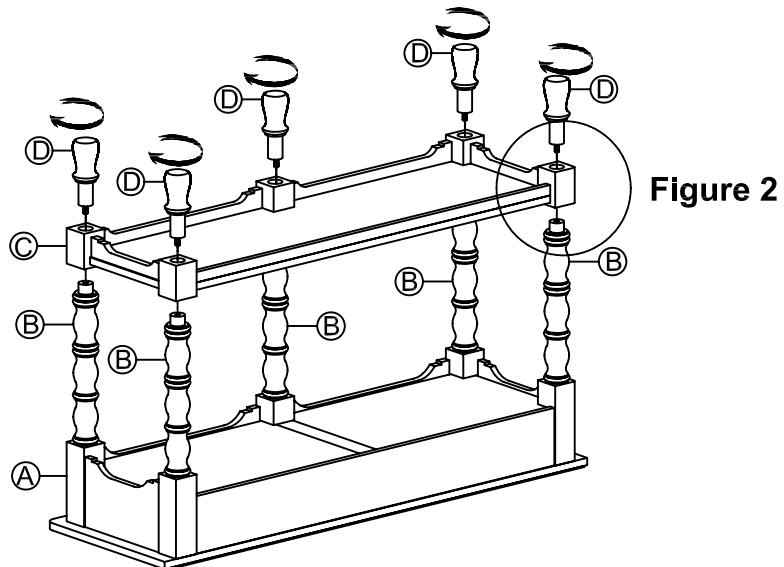
Place the Table Top Section (A) upside down on a soft surface and screw in the Legs (B). (See Figure 1.)

Note: We recommend at least two adults assemble this item.



STEP 2

Position the Shelf (C) onto the Legs (B) and fix by screwing the Feet (D). (See Figure 2.)



STEP 3

Taking care not to put any undue pressure on the feet, carefully position the table in an upright position.

Adjust the levelers on the feet until the furniture is level. (See Figure 3.)

