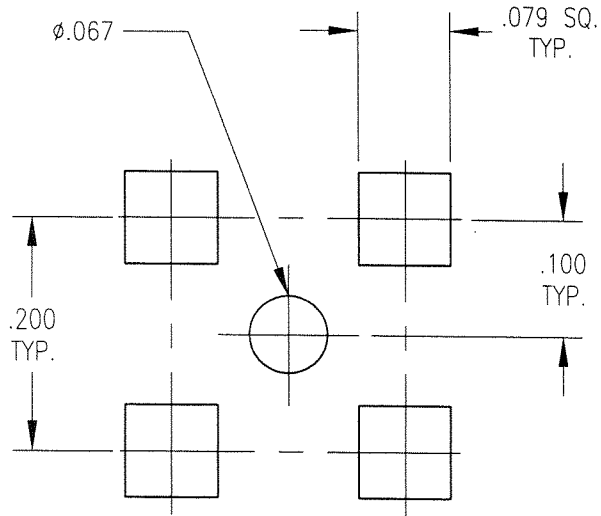
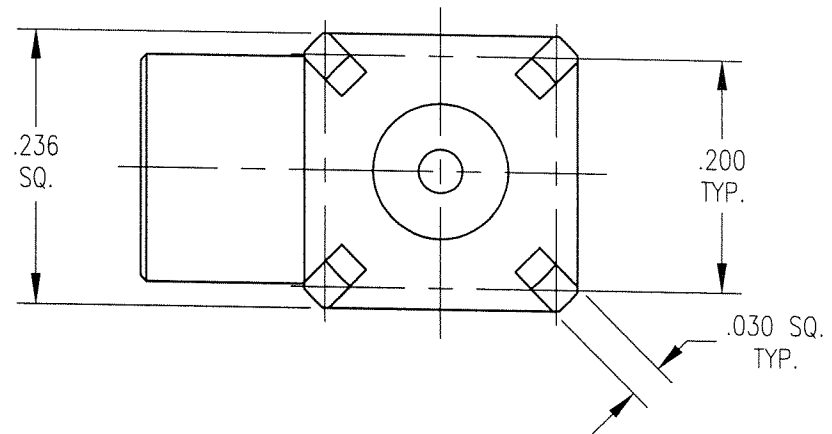
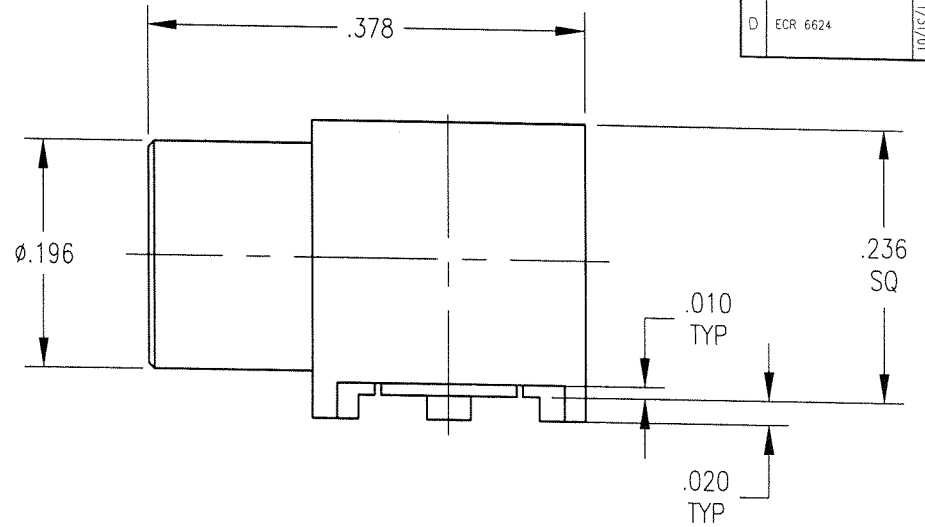


DWG. NO.			
453-060-0041H			
REV	DESCRIPTION	BY DATE	APPD
D	ECR 6624	10/15/97	JED



RECOMMENDED P.C.
SOLDERING PATTERN



NOTES:

1. MATERIALS:

BODY: BRASS PER ASTM B16
 CONTACT: BERYLLIUM COPPER PER ASTM B196
 INSULATOR: TEFLON PER ASTM D1710

2. FINISH:

BODY: .000015 MIN. GOLD PER MIL-G-45204 OVER
 .000050 MIN. NICKEL PER QQ-N-290
 CONTACT: .000030 MIN. GOLD PER MIL-G-45204
 OVER .000050 MIN. NICKEL PER QQ-N-290

PER ASME Y14.5M-1994 UNLESS OTHERWISE SPECIFIED, DIMENSIONS ARE IN INCHES (MM)				Litton	
TOLERANCES: DECIMALS xx ± .01/0.254 xxx ± .005/0.127 ANGLES ± 2°				Winchester/Retconn 400 Park Road Waterbury, Connecticut 06795	
SCALE: 6:1		CUSTOMER DRAWING		TITLE	
DRAWN PRP		DATE 11/4/97		MCX RIGHT ANGLE SURFACE MOUNT JACK	
CHECKED JMC		DATE 11/4/97		A	
APPROVED JED		DATE 11/4/97		453-060-0041H	
APPROVED JED		DATE 11/4/97		SHT. OF 1 1	
				REV. D	