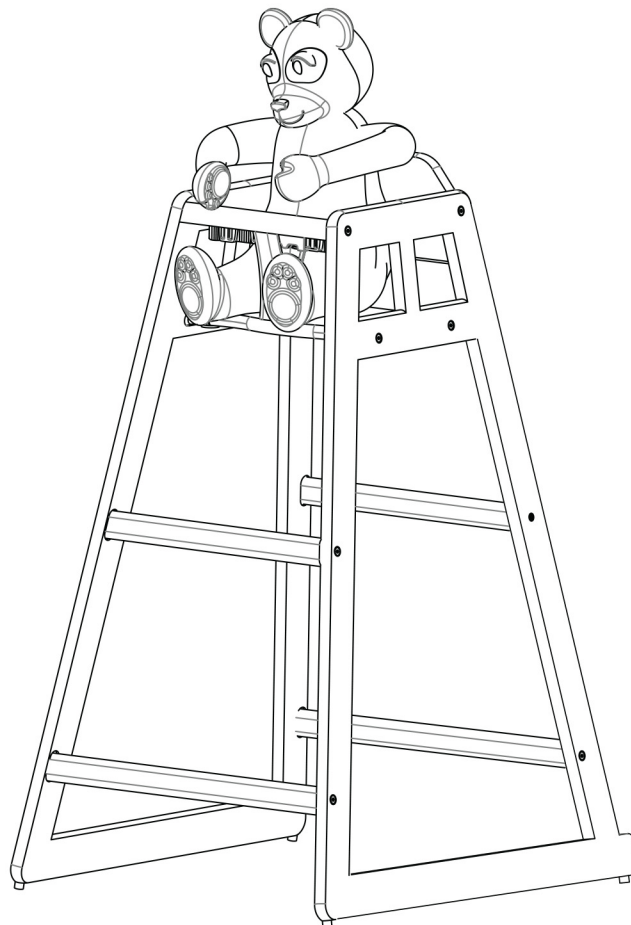
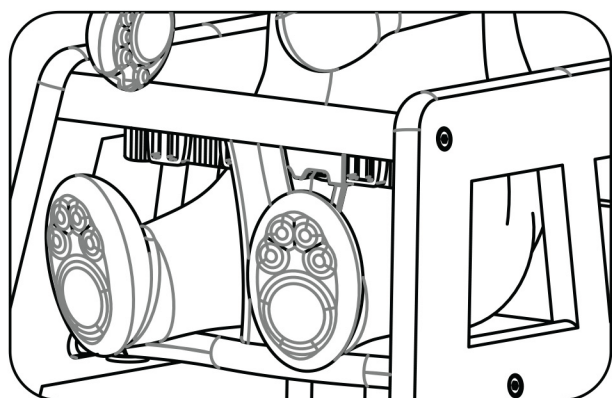


**Suitable for children up to 3 years old with a max weight of 40 lbs.**

## 1 BUCKLE CHILD INTO HIGH CHAIR

- a) Place child in high chair making sure to put each leg on either side of the middle safety bar and safety harness around waist.
- b) Buckle clips. Tighten straps.



**Maintenance:** Periodically tighten screws, as needed

**Care & Use:** Clean with mild detergent and soft cloth

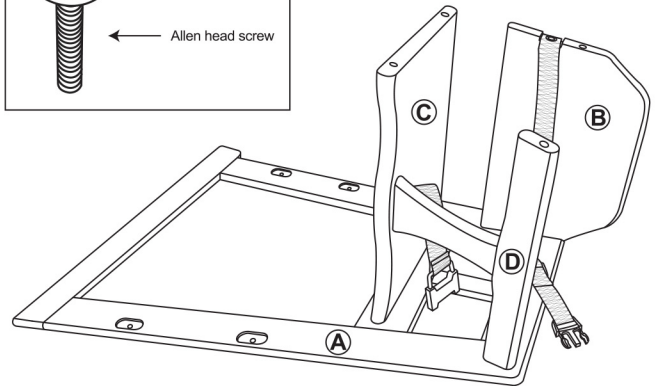
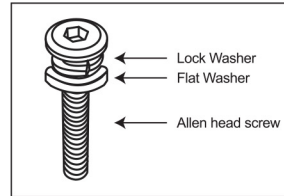
## ⚠ WARNING

- To prevent serious injury or death from falls or sliding out:
  - Always keep child in view while in high chair.
  - Always secure child in the restraint.
  - Always use restraints, and adjust to fit snugly.
- **Fall Hazard:** Children have suffered **head injuries** including skull fractures when falling from high chairs. Falls can happen suddenly if child is not restrained properly.
- The child shall be secured in the high chair at all times by the restraint system and adjusted to fit snugly.
- High chair shall only be used in upright position. Serious injury may occur if chair is used improperly.
- Do not use chair in the upside down position for any purpose.
- Never leave child unattended.
- It is recommended that the high chair be used only by children capable of sitting upright unassisted.
- **Stay near** and **watch** child during use.

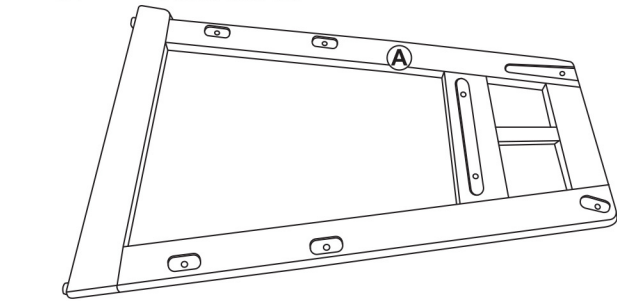
**CONTENTS:**

Quantity	Description	
16	Flat Washers	
16	Allen head screws	
16	Lock Washers	
02	Pre-assembled side panels	-Side A
01	Back panel, 12" x 6-5/16" w/waist belt	-Side B
01	Seat panel, 13" x 10-5/8" w/ crotch belt	-Side C
01	T-bar, 11-1/4" x 7"	-Side D
02	Horizontal short strut, 14-11/16" x 1-3/4"	-Side E
02	Horizontal long struts, 16-7/16" x 1-3/4"	-Side F
01	Allen wrench	

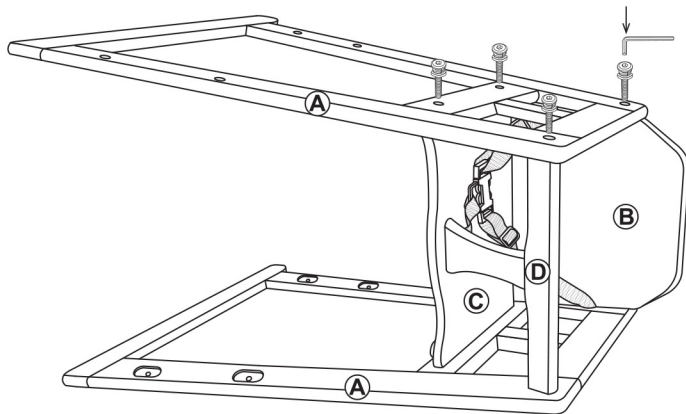
**ASTM F404-20 Compliant**



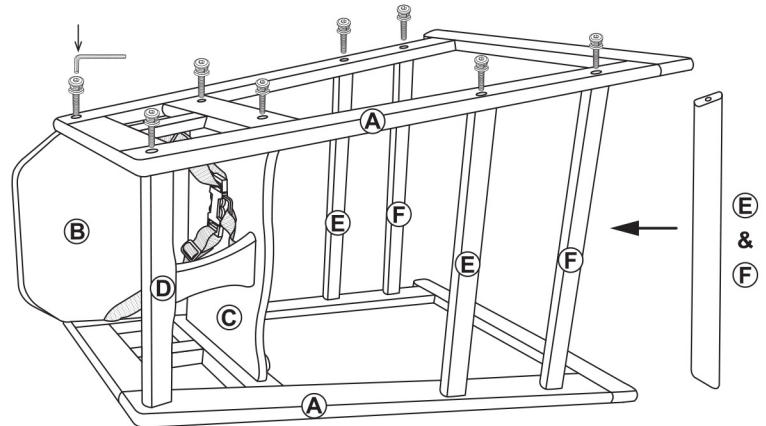
2. Insert back B into slot, making sure the warning instruction & waist belt are facing forward, and then tap in with palm.
3. Insert seat C into slot and tap in (crotch belt screwed-end at the bottom of seat).
4. Insert T-bar D into slot of side A and seat C, tap in with palm.



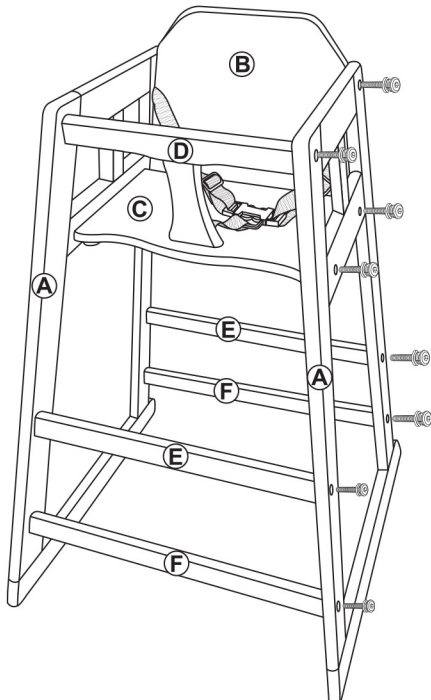
1. Place side A on flat surface with slot facing up.



5. Place remaining side A on top of B, C & D, tap in place. This will hold in place until secured.
6. Start with back B, install screws, lock washers and flat washers loosely in upside of B, C & D.



7. Turn chair over and install screws, lock washers and flat washers as in step 6.
8. Tap shorter bar E into slots, making sure angle cuts on ends are properly aligned (shorter width at top), install screws, lock washers and flat washers.
9. Tap in bottom bars F, install screws, lock washers and flat washers.



10. Turn chair upright and tighten all screws, lock washers and flat washers.

**⚠ WARNING:**

- To prevent serious injury or death from falls or sliding out:
  - Always keep child in view while in high chair.
  - Always secure child in the restraint.
  - Always use restraints, and adjust to fit snugly.
- **Fall Hazard:** Children have suffered **severe** head injuries, including skull fractures, when falling from high chairs. Falls can happen suddenly if child is not restrained properly.
- The child shall be secured in the high chair at all times by the restraint system and adjusted to fit snugly.
- High chair shall only be used in upright position. Serious injury may occur if chair is used improperly.
- Do not use chair in the upside down position for any purpose.
- Never leave child unattended.
- It is recommended that the high chair be used only by children capable of sitting upright unassisted.
- Stay near and watch child during use.

**ASTM F404-20 Compliant**

**Maintenance:** Periodically tighten screws, as needed  
**Care & Use:** Clean with mild detergent and soft cloth