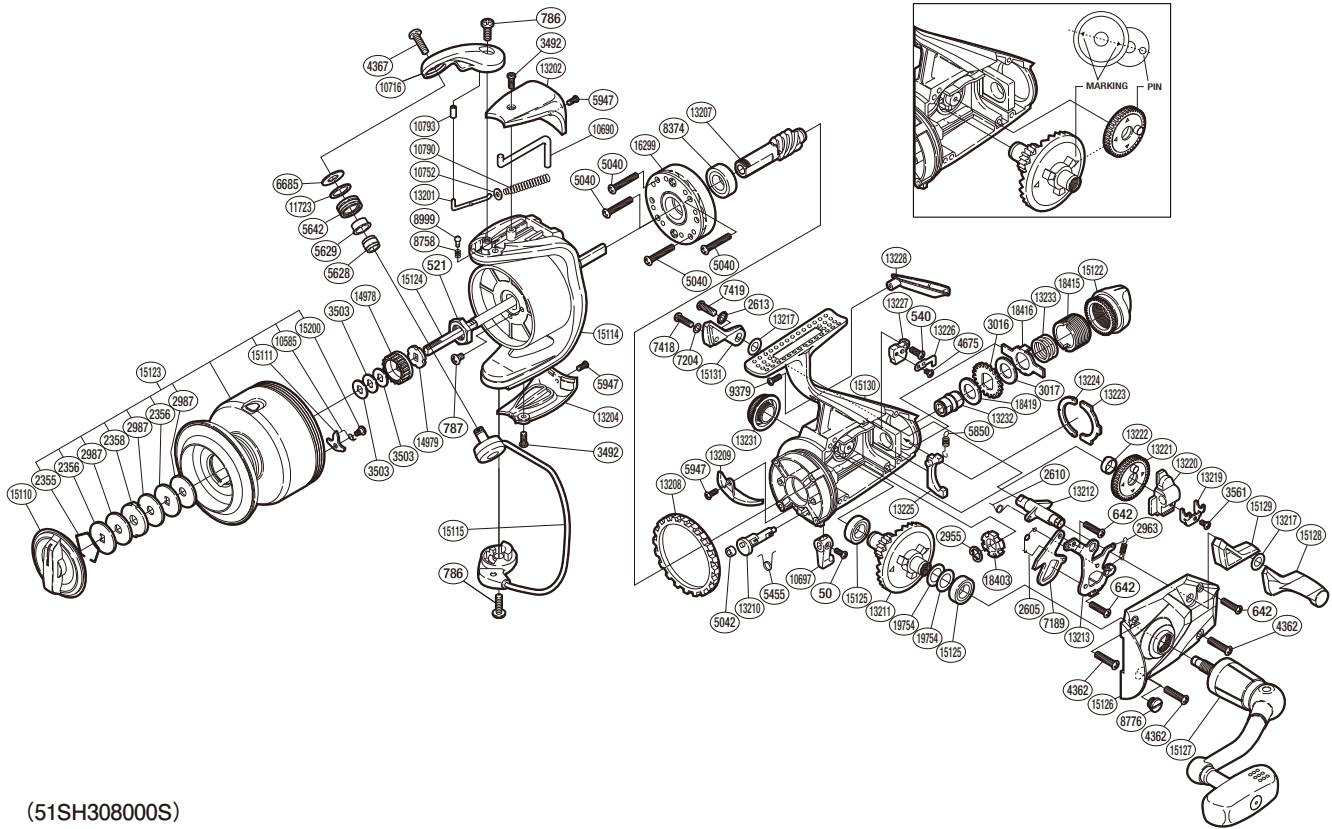


SHIMANO

BAITRUNNER

BTR-8000OC



(51SH308000S)

#	Part No.	Description	#	Part No.	Description	#	Part No.	Description
50	10MPT	Screw	7189	10G6Z	Clutch Pawl	13223	106S3	Dial Retainer
521	10MSW	Rotor Nut	7204	10KF3	Lock Washer	13224	1050X	Dial Retainer B
540	103GS	Screw	7418	10L6L	Screw	13225	10N0W	Baitrunner Pawl
642	10M35	Screw	7419	10LLG	Screw	13226	106RY	Dial Click
786	103J1	Screw	8374	107FL	Ball Bearing	13227	106WH	Baitrunner Pawl Guide
787	103L6	Screw	8758	10HEN	Click Spring	13228	106JU	Body I.D. Plate
2355	10B6E	Drag Washers Retainer	8776	104KM	Oil Cap	13231	10GVN	Handle Screw Cap
2356	10B9G	Key Washer	8999	10HEA	Click Pin	13232	1050Y	Free Spool Tension Shaft
2358	10BCR	Eared Washer	9379	10L1U	Screw	13233	106RU	Free Spool Tension Spring
2605	10QCX	Clutch Pawl Spring	10585	10JJY	Click Spring	14978	103PG	Spool Support A
2610	104CD	Clutch Spring	10690	10F19	Bail Trip Lever	14979	10J03	Spool Support B
2613	105N4	Lock Washer	10697	10JG4	Anti-Reverse Lever	15110	102FQ	Drag Knob
2955	105S4	C Lock	10716	10Q3W	Bail Arm	15111	1038G	Drag Click
2963	10422	Baitrunner Click Spring	10752	10TYE	Spring Guide A Support	15114	10QAH	Rotor
2987	1031X	Drag Washer	10790	10FVF	Bail Spring	15115	10TVK	Bail Assembly
3016	10BTL	Click Gear	10793	10PK9	Bail Arm Collar	15122	10JX3	Baitrunner Tension Dial
3017	10KJ4	Free Spool Tension Washer	11723	10G7E	Line Roller Spacer	15123	10J11	Spool Assembly
3492	103DC	Screw	13201	105YT	Bail Spring Guide A	15124	10L4U	Main Shaft
3503	10BXK	Spool Washer	13202	10DD8	Bail Spring Cover	15125	107FB	Ball Bearing
3561	10MT4	Screw	13204	10FV5	Bail Hold Support Guard	15126	1091X	Side Cover
4362	10MBT	Screw	13207	10M45	Pinion Gear	15127	10HJ7	Handle Assembly
4367	10PMS	Screw	13208	10D7T	Friction Ring	15128	10Q7B	Baitrunner Lever Arm L
4675	10LV7	Screw	13209	10D91	Bail Trip Strike	15129	10PA8	Baitrunner Lever Bridge
5040	103LA	Screw	13210	10DC9	Anti-Reverse Cam	15130	10NWL	Body
5042	106F8	Anti-Reverse Cam Ring	13211	104KA	Drive Gear	15131	108NZ	Baitrunner Lever Arm R
5455	10DCK	Anti-Reverse Cam Spring	13212	106MX	Baitrunner Lever Shaft	15200	10A6G	Screw
5628	10HAR	Line Roller Collar	13213	10NZV	Clutch Plate Assembly	16299	10QPF	Roller Clutch Assembly
5629	10PFK	Line Roller Bushing	13217	10G9Z	Spacer	18403	10P0M	Baitrunner Ratchet
5642	10JP2	Line Roller	13219	10JZT	Oscillating Slider Retainer	18415	106RM	Free Spool Tension Screw
5850	10G75	Baitrunner Pawl Spring	13220	104WQ	Oscillating Slider	18416	107CN	Eared Washer
5947	103NH	Screw	13221	10PGQ	Oscillating Gear	18419	10P0T	Free Spool Tension Washer
6685	10PK6	Line Roller Washer	13222	10JYG	Oscillating Gear Bushing	19754	10DKJ	Washer

Please note that the number of adjusting washers may not be the same as shown in the exploded views.
(Adjustment will vary with each individual product.)