

Brand AXOR
 Art. Name **AXOR ShowerSolutions** Thermostatic Module Trim 15" x 5" for 3 Functions
 Art. Nr. 10751821
 Surface brushed nickel
 Pos. 1

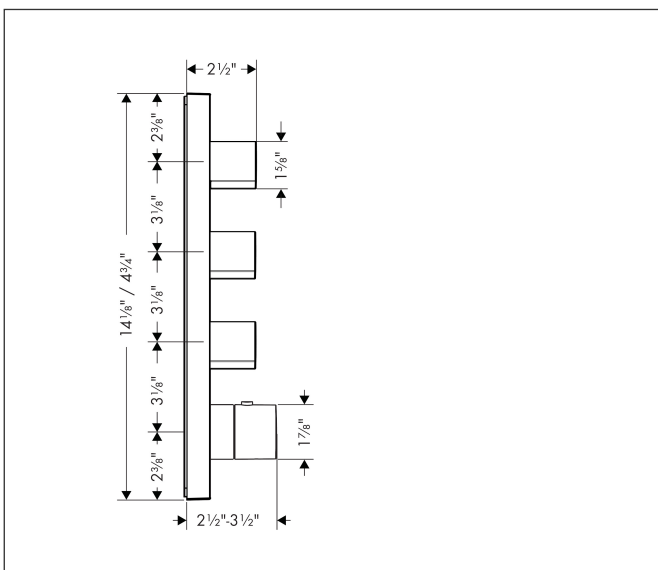
Product Picture



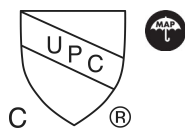
Features

- Outlets may be operated simultaneously
- Flow: 16.0 GPM (60.6 L/Min)
- Thermostatic cartridge
- Anti-scald 100° safety stop

Drawing

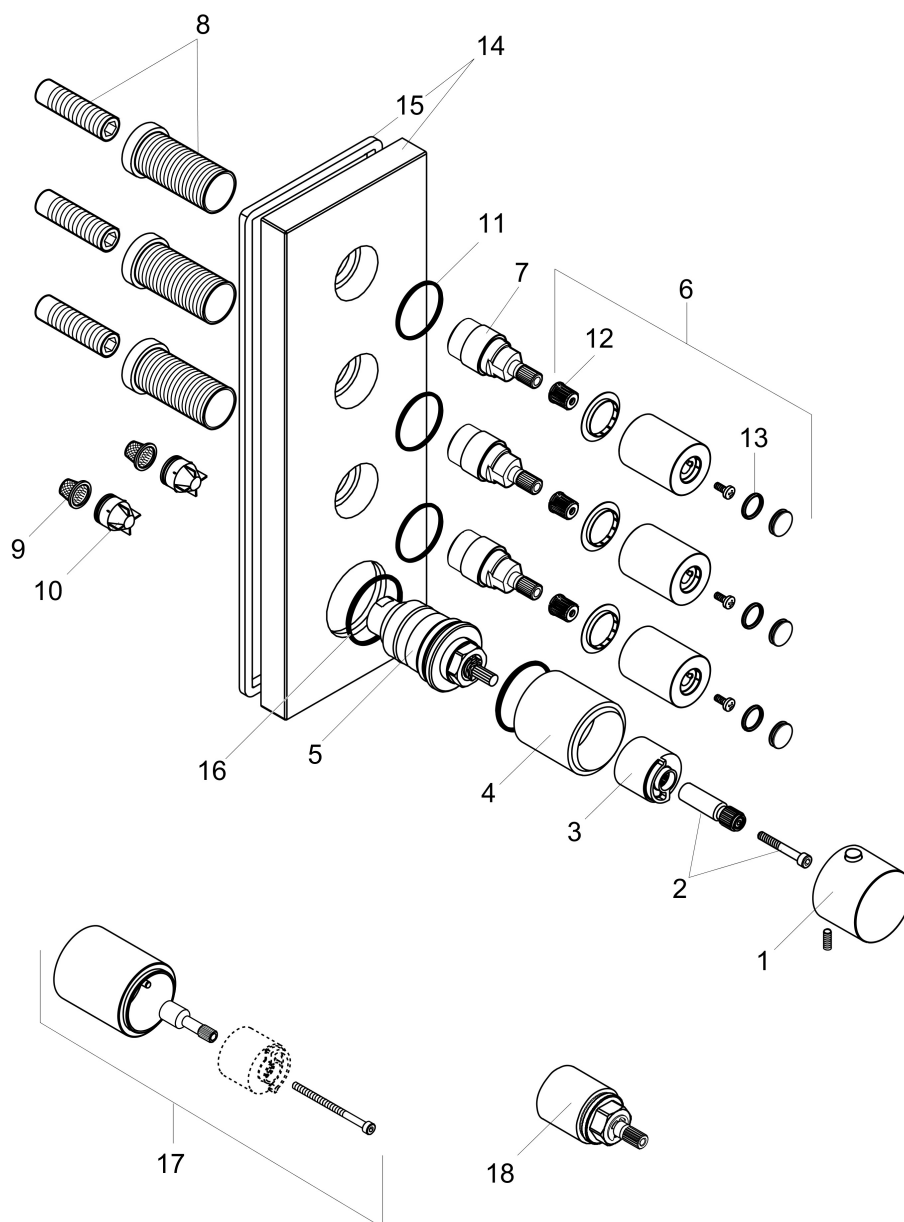


Certificates/approvals



Brand AXOR
 Art. Name **AXOR ShowerSolutions** Thermostatic Module Trim 15" x 5" for 3 Functions
 Art. Nr. 10751821
 Surface brushed nickel
 Pos. 1

Spare Parts Drawings



Brand	AXOR
Art. Name	AXOR ShowerSolutions Thermostatic Module Trim 15" x 5" for 3 Functions
Art. Nr.	10751821
Surface	brushed nickel
Pos.	1

Spare parts list

Pos.	Description	Article number
1	handle for thermostat	95316821
2	adapter for handle	98701000
3	safety set for temperature control	97334000
4	sleeve	95331820
5	thermostat cartridge	96633000
6	handle	96298821
7	adapter for handle	95153820
8	fixing set	96393000
9	filter	97973000
10	set of non return valves DW 15	97350000
11	O-ring 26x2	98147000
12	handle fixing set	98932000
13	O-ring 13x2	98128000
14	escutcheon	95317820
15	seal	95885000
16	O-ring 48x4	98414000
17	extension 25 mm	10790000
18	extension 25 mm	96370000
a	base body	10750181
	hexagon socket screw M4x35	92160000
	O-ring 28x2,5	98209000
	connecting thread	95392820