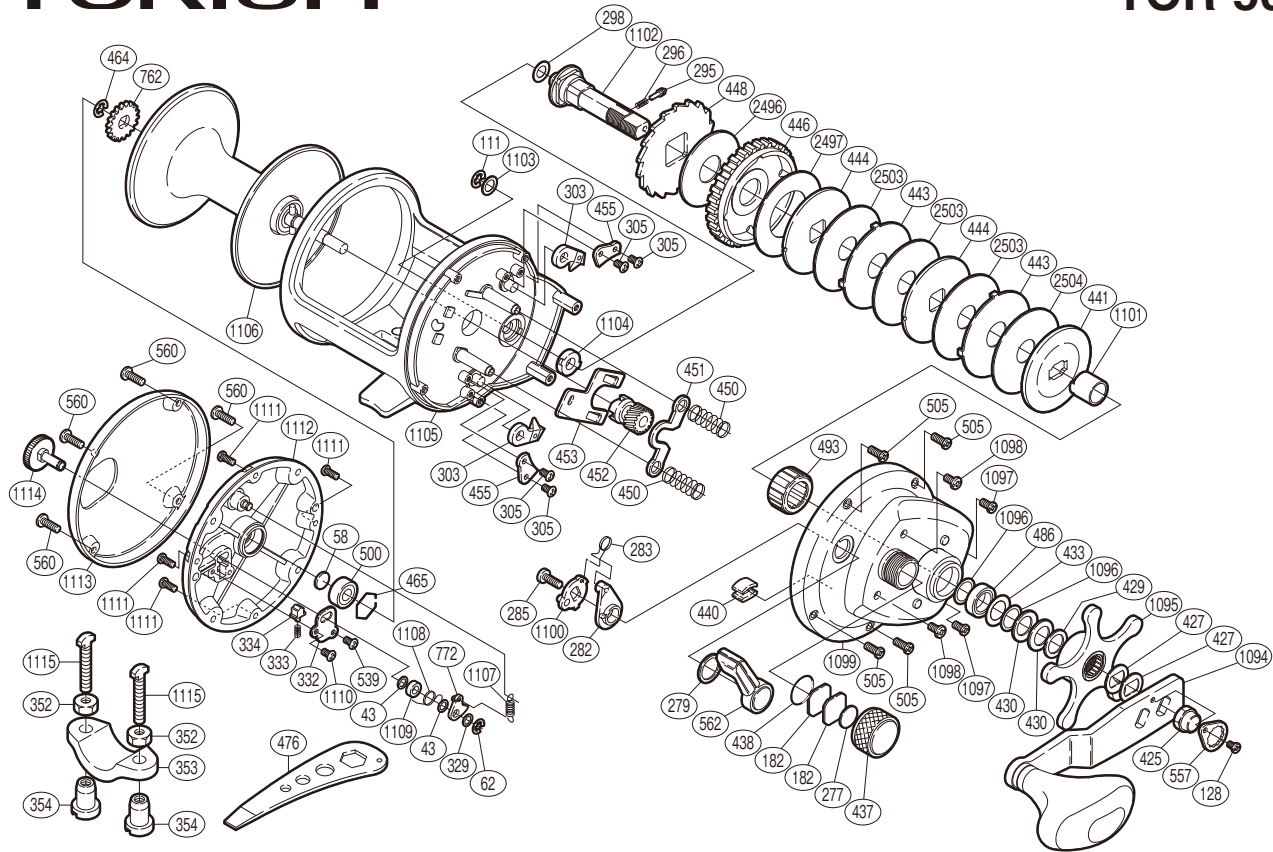


SHIMANO

TORIUM

TOR-50



(51RJ230050U)

#	Part No.	Description	#	Part No.	Description	#	Part No.	Description
43	10FTN	Spacer	441	10D4R	Key Washer	1100	10TXC	Clutch Cam
58	10GEU	Spacer B	443	10KQJ	Eared Washer	1101	10MB1	Roller Clutch Inner Tube
62	105NK	E Lock	444	10L55	Key Washer	1102	109B5	Drive Shaft
111	105NJ	E Lock	446	10QK7	Drive Gear	1103	10G4T	Washer
128	10QG0	Screw	448	10DAJ	Anti-Reverse Ratchet	1104	10G74	Bushing
182	105N0	Cast Control Spacer	450	104C0	Yoke Spring	1105	10K8E	One-Piece Frame
277	10896	Cast Control Spacer	451	1060X	Yoke	1106	10NSN	Spool Assembly
279	10JYS	Smoother	452	10A4B	Pinion Gear	1107	10NRT	Click Pawl Spring
282	10L29	Eccentric Cam Bushing	453	1045J	Yoke Plate	1108	104U1	Click Force Spring
283	10JYU	Clutch Spring	455	10KVE	Anti-Reverse Pawl Keeper	1109	104TW	Click Pawl Spacer
285	10F8M	Screw	464	105RY	E Lock	1110	10LSN	Screw
295	109ZZ	Click Pin	465	10GGN	Bearing Retainer	1111	10L6B	Screw
296	10HZ5	Click Spring	486	10KX6	Ball Bearing	1112	10506	Left Side Plate
298	10588	Washer	493	10F5B	Roller Clutch Bearing	1113	10NX8	Left Side Plate Cover
303	10MWB	Anti-Reverse Pawl	500	10KAM	Ball Bearing	1114	10TX1	Click Button
305	103CK	Screw	505	10LZ5	Screw	2496	1025M	Drag Washer
329	109RC	Spacer	539	10QG5	Screw	2497	10262	Drag Washer
332	104B6	Click Spring Retainer	557	10LME	Handle Nut Plate	2503	101UQ	Drag Washer
333	104MT	Click Spring	560	10M6Z	Screw	2504	10261	Drag Washer
334	104B8	Click Spring Holder	562	10LYU	Clutch Lever			
425	10FT6	Handle Nut	762	104F2	Click Gear	352	105N9	Rod Clamp Nut B (accessory)
427	107QX	Drive Shaft Shield	772	10LER	Click Pawl	353	10AR5	Rod Clamp (accessory)
429	10J1R	Star Drag Washer	1094	10B4K	Handle Assembly	354	1046P	Rod Clamp Nut A (accessory)
430	10EW4	Corned Disc Spring (10I)	1095	10HMV	Star Drag	1115	10EXG	Rod Clamp Bolt (accessory)
433	105U6	Bearing Seal	1096	10HWS	Washer			
437	10KTE	Cast Control Cap	1097	10L6R	Screw	476	10MJ5	Wrench (accessory)
438	108WK	O Ring	1098	10K8V	Screw			
440	106NU	Line Clip	1099	10HM4	Right Side Plate			

Please note that the number of adjusting washers may not be the same as shown in the exploded views.
(Adjustment will vary with each individual product.)

(241029)_004