

ASSEMBLY INSTRUCTIONS

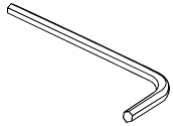
Lipton 2-Tier Tray

x1

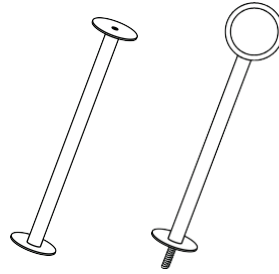


SCREW

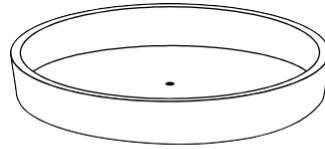
x1



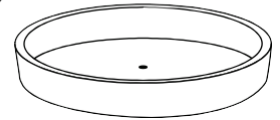
ALLEN KEY



CENTER POLE COMPONENTS

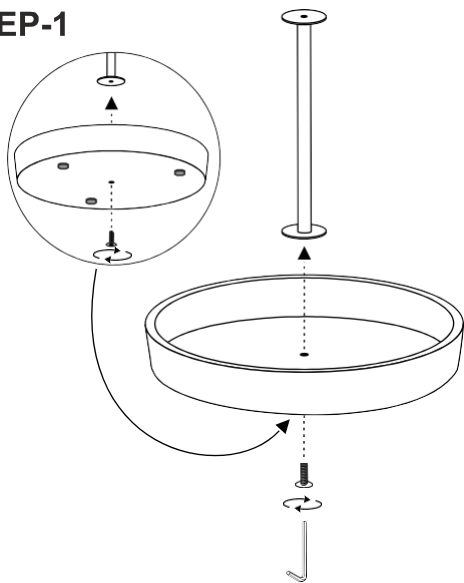


1 PC LARGE TRAY



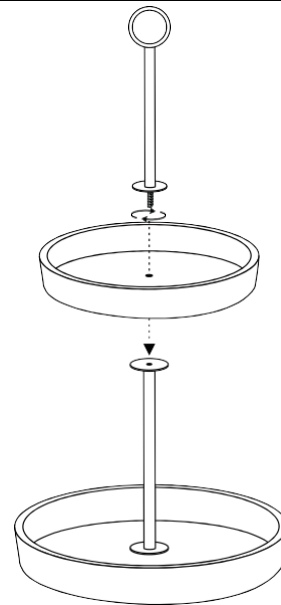
1 PC SMALL TRAY

STEP-1



Secure lower rod in large tray with the help of Allen screw.

STEP-2



Secure small tray with the help of upper rod as shown.

ASSEMBLED

