

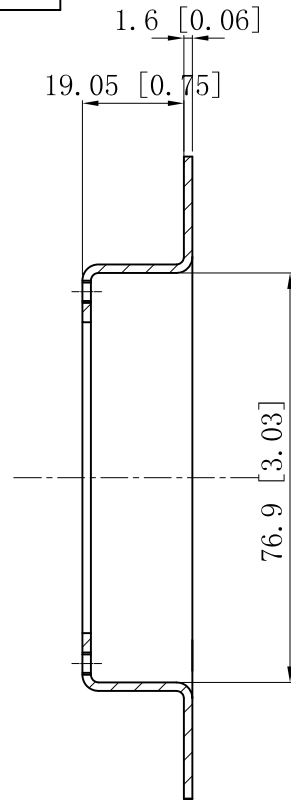
SIDES

BOTTOM

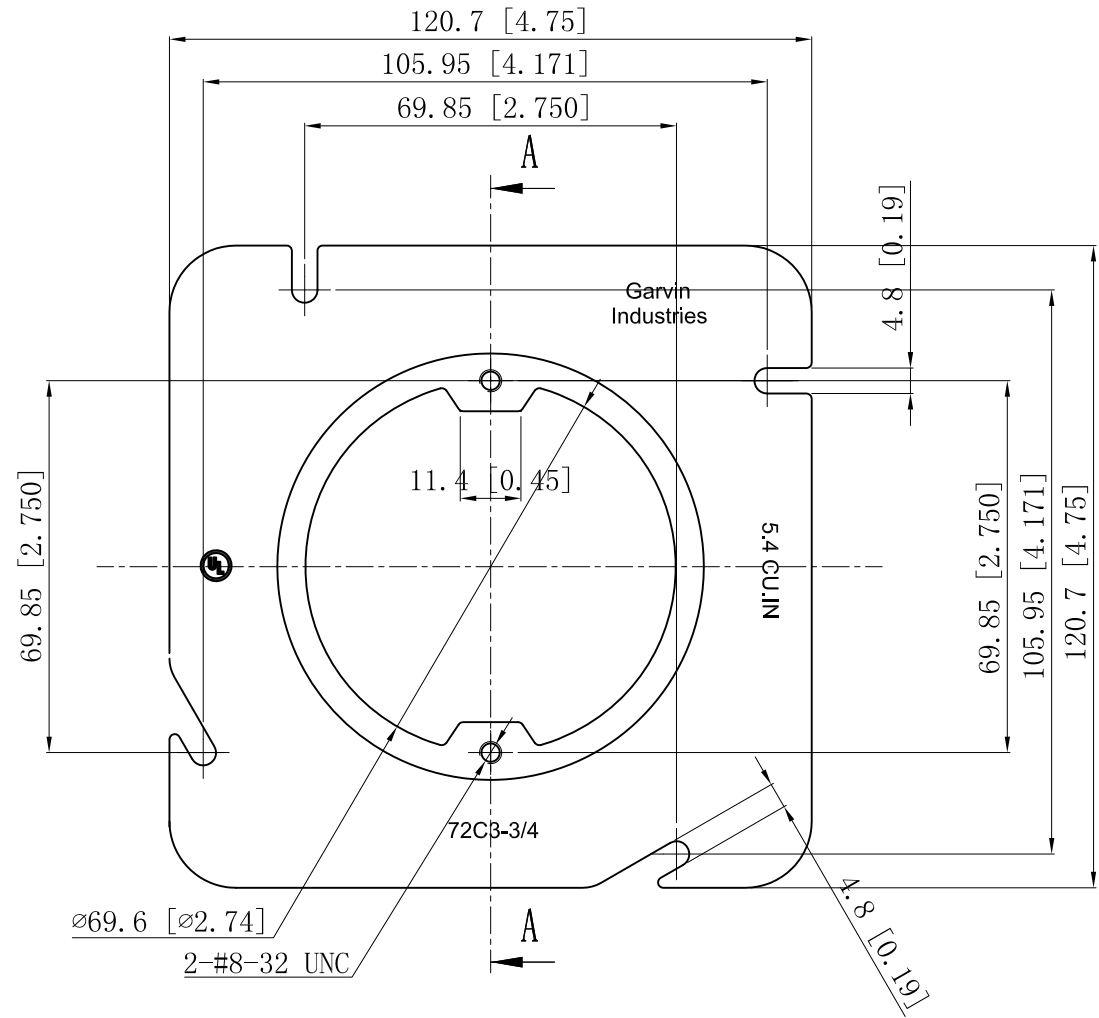
UL File #

E22445

Material: Steel-0.0625"-G60 Galvanized



CUTAWAY VIEW A-A



This data sheet is for reference only .GARVIN INDUSTRIES reserves the right to make changes to the design without prior notice.

DESCRIPTION
TRADE REFERENCE TERMS

STANDARD PACKING	<h1 style="text-align: center;">GARVIN INDUSTRIES</h1>		
25 PCS			
	SIZE	DWG NO.	REV
	A4	72C3-3/4	A
DATA SHEET			
www.garvinindustries.com			