

# ANZZI™

FR-AZ102BN  
FR-AZ102ORB

FIVE HOLES BATHROOM BATHTUB FAUCET  
SOLID BRASS  
CERAMIC CARTRIDGE  
HAND SPRAYER FLOW RATE: 2.0GPM  
LIMITED LIFETIME WARRANTY:

HAVE QUESTIONS?  
Call us at 1-844-44-ANZZI or visit [www.ANZZI.com](http://www.ANZZI.com)

### PREPARATION

MAKE SURE TO SHUT OFF THE WATER FLOW FROM YOUR HOT AND COLD SUPPLY LINES.

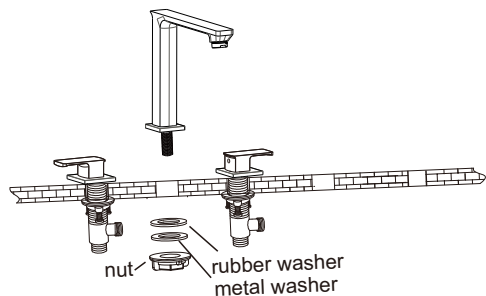
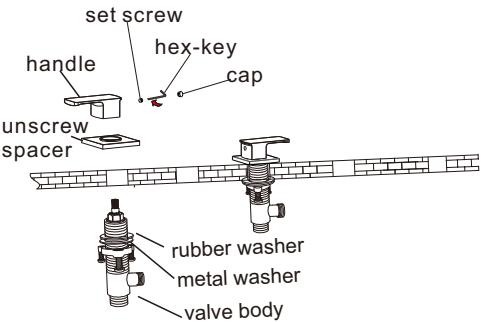
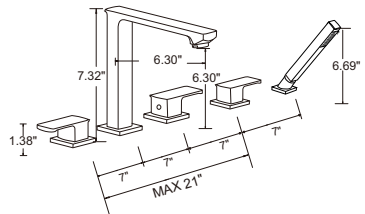
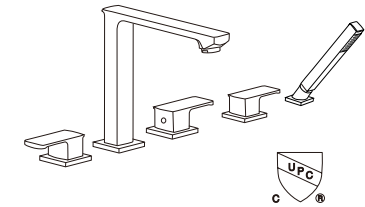
MAKE SURE YOUR MOUNTING HOLE IS CUT TO SIZE.

Make sure your counter is no more than 1.18" thick.  
The mounting holes should be 1.38" in diameter.  
The center of each hole should be 7".



### ITEMS YOU MAY NEED.

NEED HELP? Give us a call at 1-844-44-ANZZI or visit us online at [www.ANZZI.com](http://www.ANZZI.com).



### STEP 1

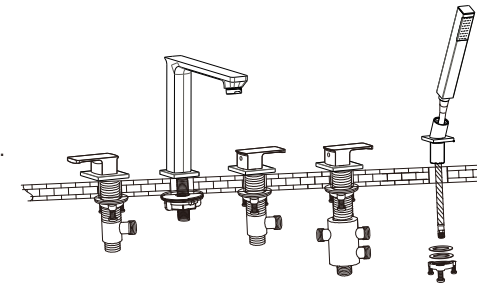
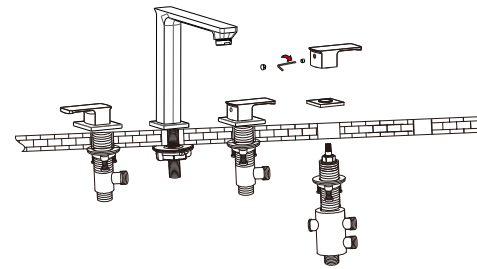
#### Handle installation

1. Use provided hex-key loosen set screw.
2. Remove handle and unscrew spacer from valve body.
3. Place handle onto cartridge in desired position and tighten set screw with hex-key. Cover handle hole with hot/cold cap.

### STEP 2

#### Spout installation

1. Disassemble the spout.
2. Place rubber washer, metal washer and secure the nut.



### STEP 3

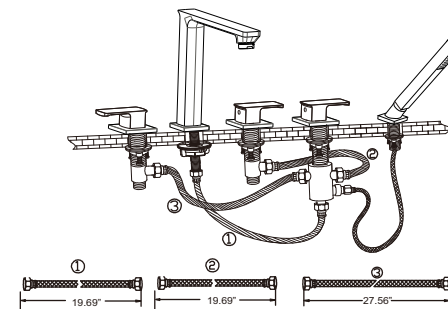
#### Diverter installation

1. Repeat steps to install the handle and diverter in the hole located on the right of the cold water handle.

### STEP 4

#### Hand shower holder installation

1. Put the base into the hole.
2. Put the hand shower holder through the base. secure it with the fixing kit as photo.



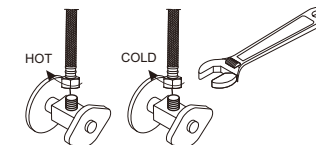
### STEP 5

#### Valve and water supply connection

1. Connect the flexible hoses as the picture shows.

### STEP 6

1. Connect the flexible hose(not included) to water supply valve (not included),and tighten it with adjustable wrench.



### DON'T OVER TIGHTEN!

Caution: make sure to connect the hot and cold flexible hoses to supply valves correctly.

### Warning:

Supply valves and flex hoses not included.  
Purchased separately.