

Reorder No. 10711

 Manufactured for:
Dynarex Corporation
10 Glenshaw Street
Orangeburg, NY 10962
USA • www.dynarex.com

Made in China



Wide Base Trapeze Bar

with Stand



Congratulations on your purchase of our Wide Base Trapeze Bar with Stand! Our trapeze bar is engineered and designed with durability and easy maintenance in mind.

The trapeze bar will allow patients to lift themselves while in bed.

Please read through this manual and get acquainted with your Wide Base Trapeze Bar with Stand. Follow the maintenance schedule to ensure proper functioning of your unit.

SAFETY PRECAUTIONS

Do not operate your Wide Base Trapeze Bar with Stand until you read and fully understand this manual.

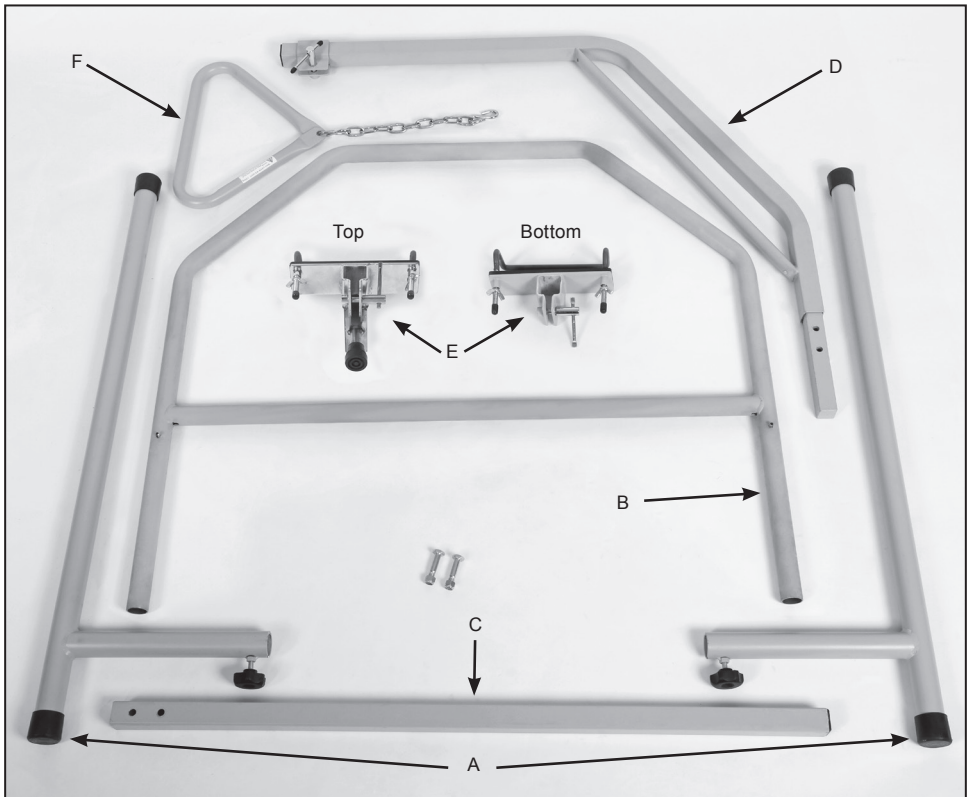
- Do not operate your trapeze bar until it is fully assembled and checked.
- The Wide Base Trapeze Bar with Stand, used in conjunction with a bed, can assist an individual weighing up to 350 lb. (158 kg). It is designed to provide support, increase stability and assist the user when repositioning himself/herself in bed. It is not designed, however, to support the total body weight of an individual. Use it for assistance only.
- Do not modify or replace with parts other than those manufactured by Dynarex.



ASSEMBLY INSTRUCTIONS

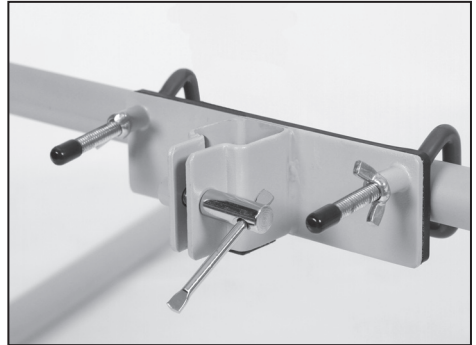
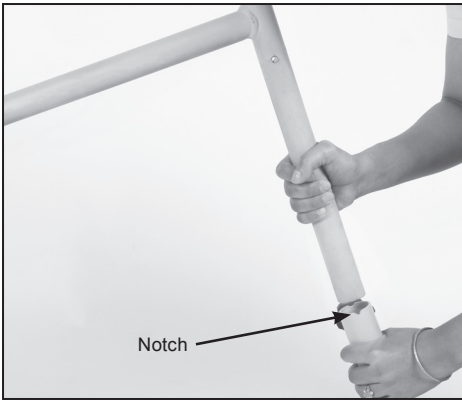
1. Please carefully unpack the container and remove the Wide Base Trapeze Bar with Stand from the shipping cartons.
2. Inspect the packaging, and make sure that there are no shipping damages and all the components are in the shipping cartons.

- A) Floor Base (× 2)
- B) A-shaped Body Frame
- C) Trapeze Post
- D) Trapeze Arm
- E) Bracket Clamps (1 top, 1 bottom)
- F) Triangle Grab Bar Assembly

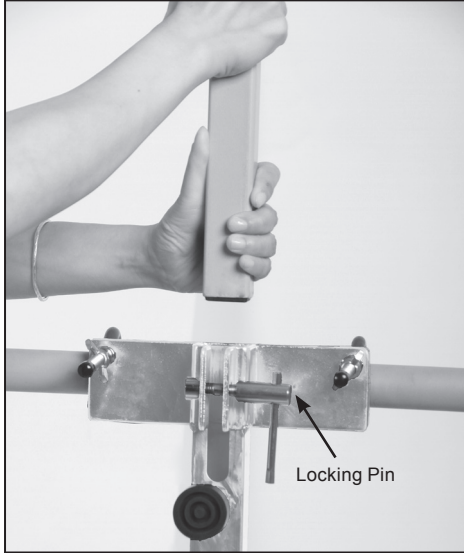


3. Insert the A-shaped body frame into the two floor base legs. Ensure the two legs are perpendicular to the body frame and parallel to one another. The pin on the body frame should sit on the notches on the base legs. Secure the base and frame together with the black turn knobs at the joints of the leg and the body frame.

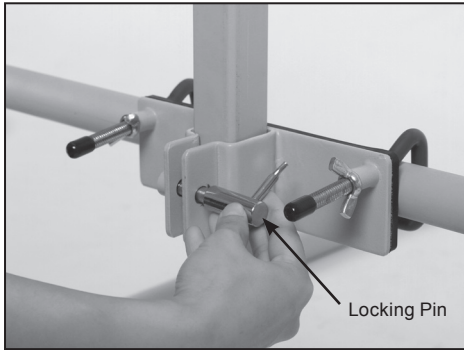
4. Place the clamps onto the midpoint of the two horizontal bars of the body frame, clamping over the bars. The clamp with a wall stopper should be placed on the top of the A-shaped body frame. Do not tighten the clamps at this point.



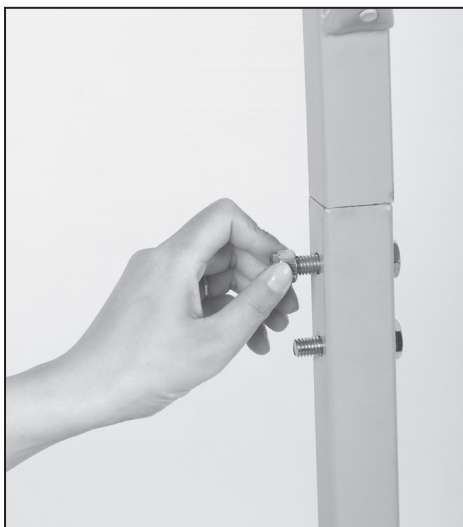
5. Insert the trapeze post through the holders at the rear of the bracket clamps. Rotate the locking pin at each holder to secure the trapeze post in place.



6. Tighten the top and bottom clamps to the body frame.



7. Remove the nuts and bolts pre-fastened to the trapeze post. Insert the mounting end of the trapeze arm into the top of the trapeze post. The other end of the trapeze arm should be directing towards the front. Re-insert the bolts through the mounting holes and secure with nuts.



8. Secure the end of the grab bar chain to the holder on the top of the trapeze bar, slide the holder to adjust the position of the triangle grab bar. Fix the holder position by turning the locking pin clockwise.



9. Move the assembled trapeze bar to the head of the bed. The two legs of trapeze bar should be on the outside of the bed frame.
10. To adjust the height of the trapeze bar, turn the lock pin counter-clockwise to loosen the holders securing the trapeze post and move the frame up or down. Re-tighten the holders.
11. To adjust the position of the Triangle Grab Bar, loosen the holder securing the grab bar assembly, slide the assembly forwards or backwards. Re-tighten the holder.

LIMITED LIFETIME WARRANTY

Your Dynarex Product is warranted to be free of defects in materials and workmanship for the lifetime of the product for the original purchaser. This item was built to exacting standards and carefully inspected prior to shipment. This Limited Lifetime Warranty is an expression of our confidence in the materials and workmanship of our products and our assurance to the consumer of years of dependable service.

The Warranty shall not apply under the following conditions:

- Problems arising from normal wear
- Problems arising from failure to adhere to the product instructions
- Problems arising from misuse, negligence, accident or improper operation, maintenance or storage
- Problems arising from modifications or unauthorized repairs, parts or attachments

- Products where the serial number has been removed or defaced
- Problems with non-durable components, such as rubber accessories, casters, and grips, which are subject to normal wear and need periodic replacement

Dynarex shall not be liable for any consequential or incidental damages whatsoever. Dynarex shall repair or replace defective products at its option. The foregoing warranty is exclusive and in lieu of other express warranties, if any, including the implied warranties of merchantability and fitness of a particular purpose. The remedy for any violation of the implied warranty shall be limited to repair or replacement of the defective product pursuant to the terms contained herein.

If you have a question about your Dynarex device or this warranty, please contact an authorized Dynarex dealer.



SYMBOL GLOSSARY

For an explanation of symbols used in Dynarex packaging, visit dynarex.com/symbols.php

⚠ WARNING:
Cancer and Reproductive Harm
www.P65Warnings.ca.gov