

Seat shall be Comfort™ Seats

Model Number C2200-OS

C2200-OS-00HPSSAM

C2200-OS-90HPSSAM

EZ Close™ Premium Plastic Toilet Seat

Elongated Open Front with Cover

Category

LIGHT COMMERCIAL/COMMERCIAL & HOSPITALITY

Features

- EZ Close™ damper system
- Injection molded durable polypropylene plastic with UV protection
- Molded in bumpers
- Matching adjustable hinge
- Corrosion proof POM nuts, bolts and washers
- Rubberized non-skid pads
- Top mount design

Seat Color/Finish

Specify white, bone, biscuit; –HPSS Available only in 00–White or 90–Black as listed

Hinge Color/Finish

Specify white, bone, biscuit; –HPSS Available only in 00–White or 90–Black as listed

Product Specifications

Hinge Design: Heavy duty EZ Close™ damper system

Ring Thickness: 5/8"

Ring Thickness with Bumper: 7/8"

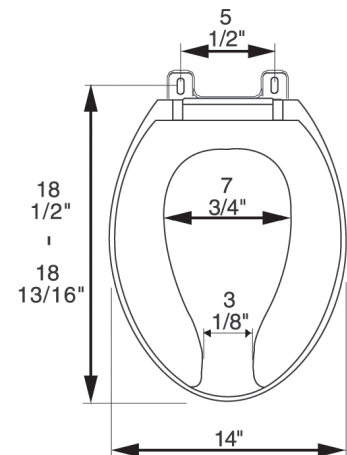
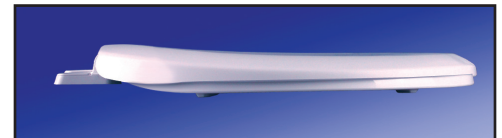
Height of Seat with Cover: 1 3/4"

Size: ANSI Standard Toilet - Meets Z124.5 Section 5.1.2

Additional Information

Stainless Steel (Model #C200-HPSS) or Metal (Model #C200-HPM) installation hardware for commercial/hospitality installations.

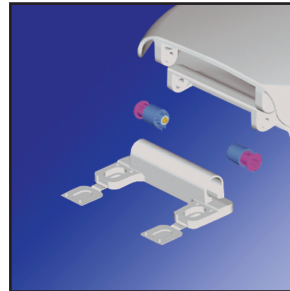
All seats feature UV protection.



Corrosion proof, self-aligning hardware



Factory-installed "living" hinge covers w/stainless steel screws



Heavy duty EZ Close™ damper system