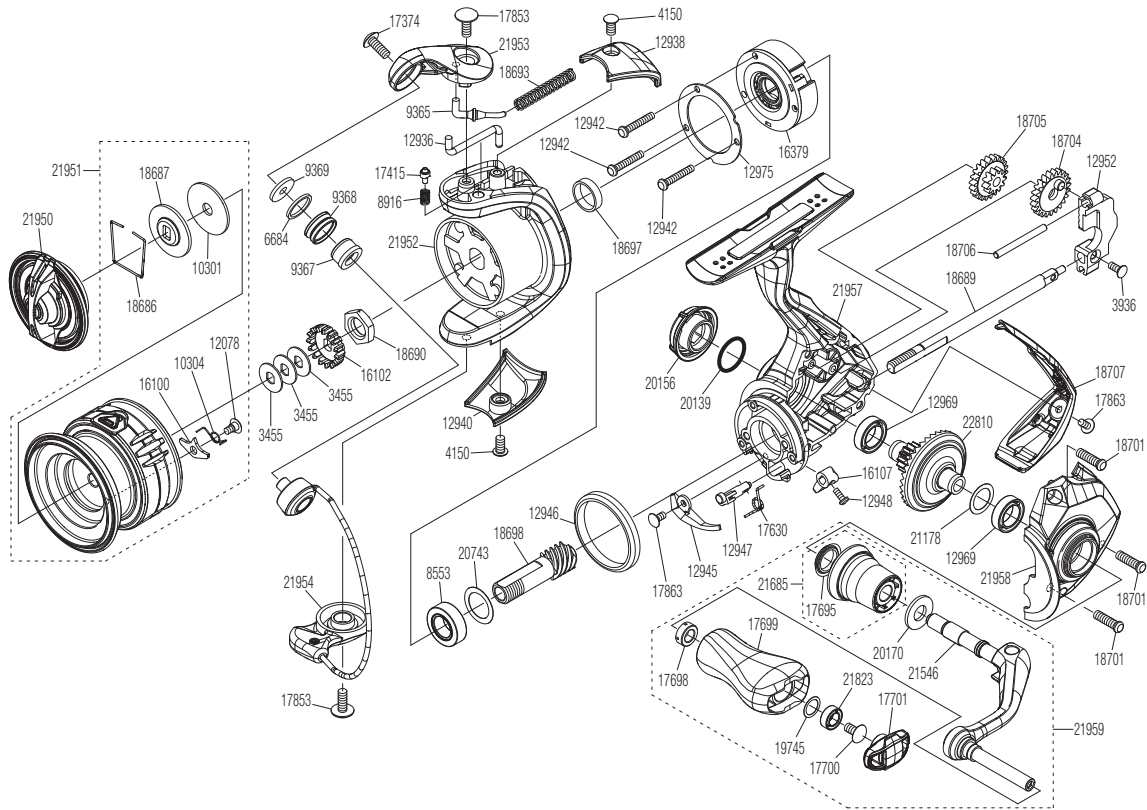


SHIMANO

NASCI

NS-500



Please note that the number of adjusting washers may not always be the same as shown in the exploded views.

(51SF45A005X)

Please note that your actions take full responsibility when you take it apart.

| # | Part No. | Description | # | Part No. | Description | # | Part No. | Description |
|-------|----------|-------------------------|-------|----------|-------------------------|-------|----------|-----------------------------|
| 3455 | 10BXN | Spool Washer | 16379 | 10QPH | Roller Clutch Assembly | 20743 | 10HHQ | Washer |
| 3936 | 10MGL | Screw | 17374 | 10K90 | Screw | 21178 | 10EEZ | Washer |
| 4150 | 103KS | Screw | 17415 | 106ZC | Click Pin | 21546 | 10E59 | Handle Shank Assembly |
| 6684 | 10KFD | Spacer | 17630 | 10DCS | Anti Reverse Cam Spring | 21685 | 10RWV | Handle Shaft Cover Assembly |
| 8553 | 107AT | Ball Bearing | 17695 | 10PXV | Handle Shaft Seal | 21823 | 10K64 | Ball Bearing |
| 8916 | 10CH0 | Click Spring | 17698 | 10PXZ | Bushing | 21950 | 1001L | Drag Knob Assembly |
| 9365 | 105LS | Bail Spring Guide A | 17699 | 10328 | Handle Knob | 21951 | 10SPG | Spool Assembly |
| 9367 | 10PFE | Bushing | 17700 | 10LFA | Screw | 21952 | 101S9 | Rotor Assembly |
| 9368 | 10JLF | Line Roller | 17701 | 10TNJ | Handle Knob Seal | 21953 | 10SDN | Bail Arm |
| 9369 | 10PFP | Washer | 17853 | 10LFH | Screw | 21954 | 1022S | Bail Assembly |
| 10301 | 10N56 | Drag Washer | 17863 | 10LCS | Screw | 21957 | 101G8 | Body Assembly |
| 10304 | 10JX8 | Drag Click Spring | 18686 | 10MZN | Retainer | 21958 | 10SPU | Side Cover |
| 12078 | 10PH4 | Screw | 18687 | 10S0W | Key Washer | 21959 | 101S8 | Handle Assembly |
| 12936 | 10FAZ | Bail Trip Lever | 18689 | 10S0V | Main Shaft | 22810 | 142TH | Drive Gear |
| 12938 | 10CT3 | Bail Spring Cover | 18690 | 1081A | Rotor Nut | | | |
| 12940 | 107WM | Bail Hold Support Guard | 18693 | 10SQ8 | Bail Spring | | | |
| 12942 | 10L1Z | Screw | 18697 | 10HB7 | Rotor Ring | | | |
| 12945 | 10D8Z | Bail Trip Strike | 18698 | 10QWG | Pinion Gear | | | |
| 12946 | 10D7P | Friction Ring | 18701 | 1000N | Screw | | | |
| 12947 | 10DC5 | Anti Reverse Cam | 18704 | 10QWF | Oscillating Gear | | | |
| 12948 | 10L1N | Screw | 18705 | 10QWJ | Idle Gear | | | |
| 12952 | 104WG | Oscillating Slider | 18706 | 10QWH | Oscillating Guide | | | |
| 12969 | 107FA | Ball Bearing | 18707 | 10SGA | Rear Protector | | | |
| 12975 | 10AEX | Roller Clutch Reinforce | 19745 | 104FH | Washer | | | |
| 16100 | 10BWZ | Drag Click | 20139 | 10E3K | O Ring | | | |
| 16102 | 103MX | Spool Support | 20156 | 10RSE | Handle Screw Cap | | | |
| 16107 | 10FPW | Anti Reverse Lever | 20170 | 10E5X | Washer | | | |