

Installation Instructions

Vanity

Record your model number:
Noter le numéro de modèle:
Anoté su número de modelo: _____

Français, page 11
Español, página 20

KOHLER®

Thank You for Choosing KOHLER

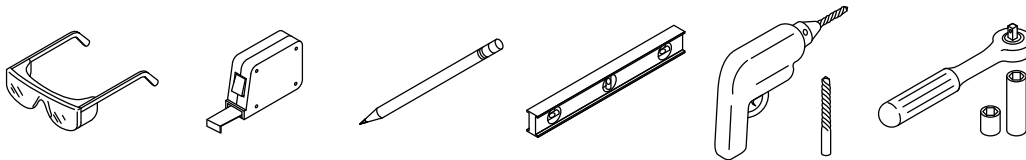
Need help? Contact our Customer Care Center.

- USA/Canada: 1-800-4KOHLER (1-800-456-4537) Mexico: 001-800-456-4537
- Service parts: kohler.com/serviceparts
- Care and cleaning: kohler.com/clean
- Patents: kohlercompany.com/patents

Warranty

This product is covered under the KOHLER® One-Year Limited Warranty, found at kohler.com/warranty. For a hardcopy of warranty terms, contact the Customer Care Center.

Tools and Materials





Plus:


- 5/16" Lag Bolts and Washers [250 lb (113.4 kg)] Load Bearing]
- 2x6s
- Woodworking Tools and Materials


Before You Begin

 **WARNING: Risk of serious or fatal injury.** To avoid tipping over, the cabinet must be properly secured to the wall.

 **CAUTION: Risk of product damage.** Do not modify the vanity. Doing so will compromise structural stability.

 **CAUTION: Risk of personal injury or property damage.** Select 250 lb (113.4 kg) load-bearing 5/16" lag bolts with a length to clear obstacles in the wall and 5/16" washers. Calculate the proper lag bolt length by adding the following: 1-1/2" (38 mm) backing material, plus the wallboard thickness, plus the back rail thickness.

 **CAUTION: Risk of property damage.** To properly support the weight of the vanity and vanity top/sink, secure to stud framing or 2x6 support behind the finished wall.

 **CAUTION: Risk of product damage.** Use care when moving the cabinet to avoid impacting, sliding, or side-loading the legs.

NOTICE: Siliconized acrylic caulk must be used to secure a sink or countertop to the vanity. Do not use 100% silicone sealant, which will damage the finish of the vanity.

NOTICE: Any electrical accessory components must be connected to a circuit protected by a Ground-Fault Circuit-Interrupter (GFCI) or Residual Current Device (RCD). Follow all local electrical codes.

Follow all local plumbing and building codes.

Your product may appear different than the one illustrated. The installation procedure is the same.

Two people should perform this installation.

This vanity is designed to allow most base moldings to pass behind the vanity.

To ease installation, remove drawers from the vanity before beginning. Refer to the section in this Installation Instructions for proper removal.

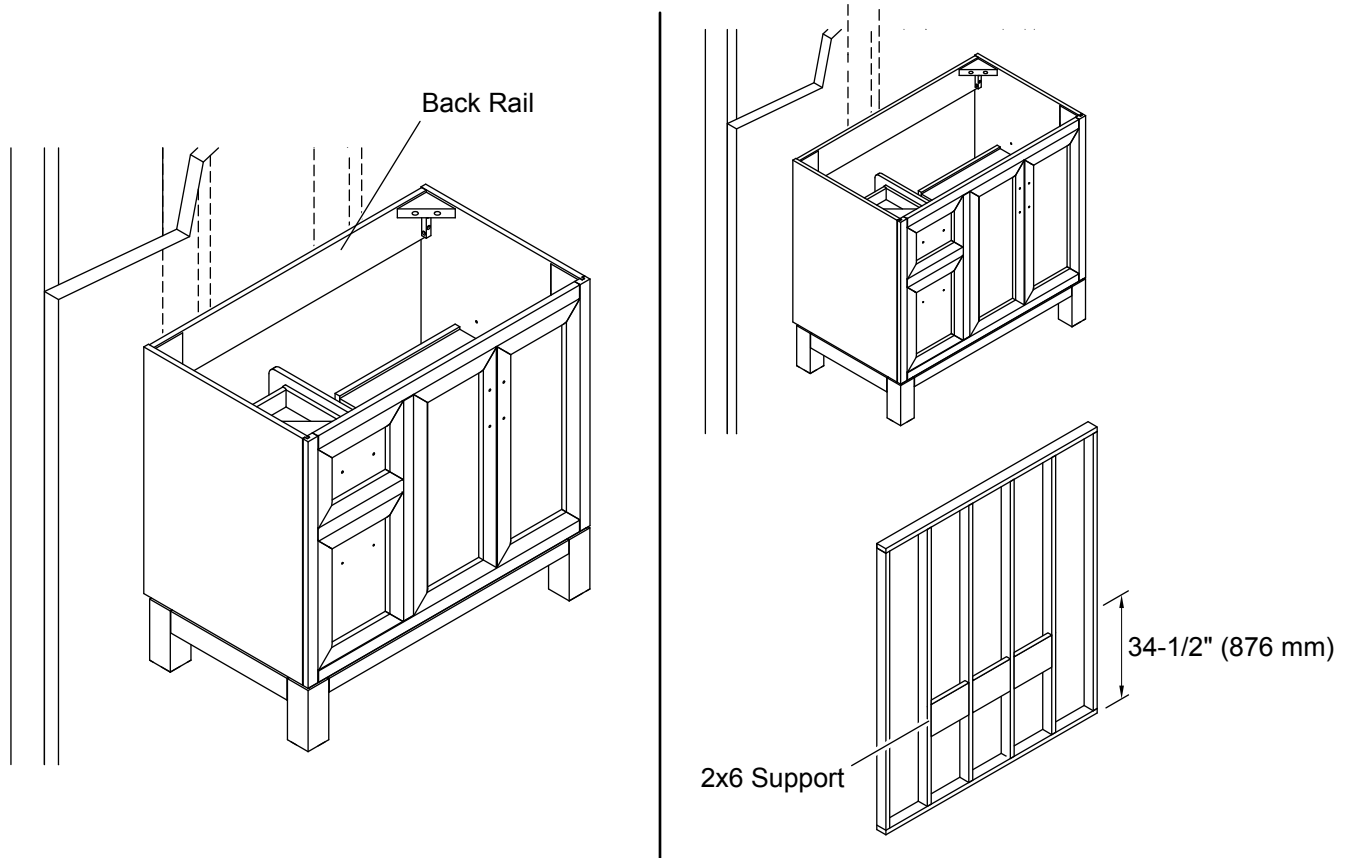
IMPORTANT HEALTH NOTICE

Some of the building materials used in this home (or these building materials) emit formaldehyde. Eye, nose, and throat irritation, headache, nausea and a variety of asthma-like symptoms, including shortness of breath, have been reported as a result of formaldehyde exposure. Elderly persons and young children, as well as anyone with a history of asthma, allergies, or lung problems, may be at greater risk. Research is continuing on the possible long-term effects of exposure to formaldehyde.

Reduced ventilation may allow formaldehyde and other contaminants to accumulate in the indoor air. High indoor temperatures and humidity raise formaldehyde levels. When a home is to be located in areas subject to extreme summer temperatures, an air-conditioning system can be used to control indoor temperature levels. Other means of controlled mechanical ventilation can be used to reduce levels of formaldehyde and other indoor air contaminants.

If you have any questions regarding the health effects of formaldehyde, consult your doctor or local health department.

1. Prepare the Site

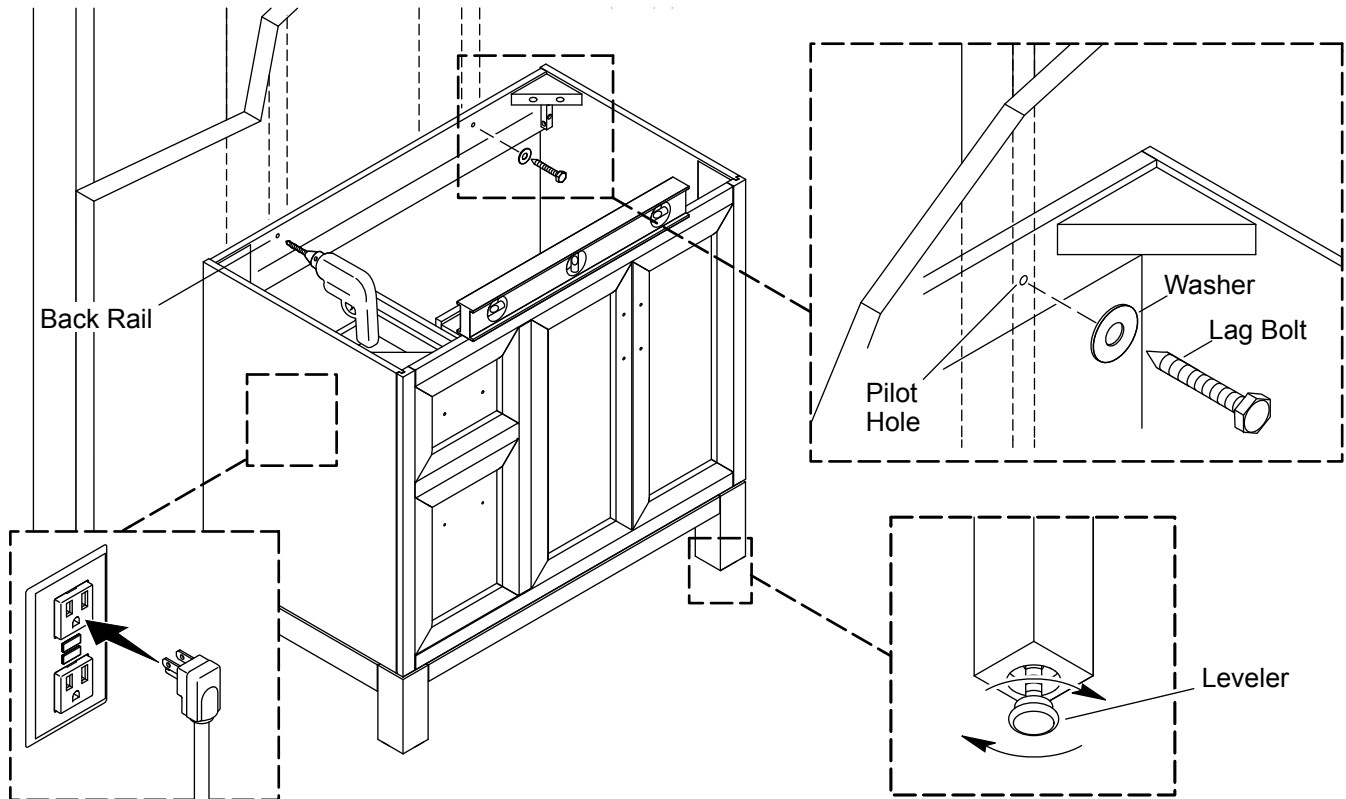


⚠ CAUTION: Risk of property damage. To properly support the weight of the vanity and vanity top/sink, secure to stud framing or 2x6 support behind the finished wall.

NOTICE: To verify proper support and alignment: The finished wall must be straight and plumb. The floor must be flat and perpendicular to the finished wall.

- Install the vanity to two or more studs, with one stud at each end of the back rail. Locate the studs and determine if additional 2x6 support is needed.
- If installing 2x6 support, install 2x6s between the wall studs at the desired vanity location. The height from the finished floor to the top of the 2x6 support should be 34-1/2" (876 mm) and flush with the front of the wall studs.
- Plan for routing supply and drain piping for your desired sink installation.
- Complete the finished wall.

2. Install the Vanity

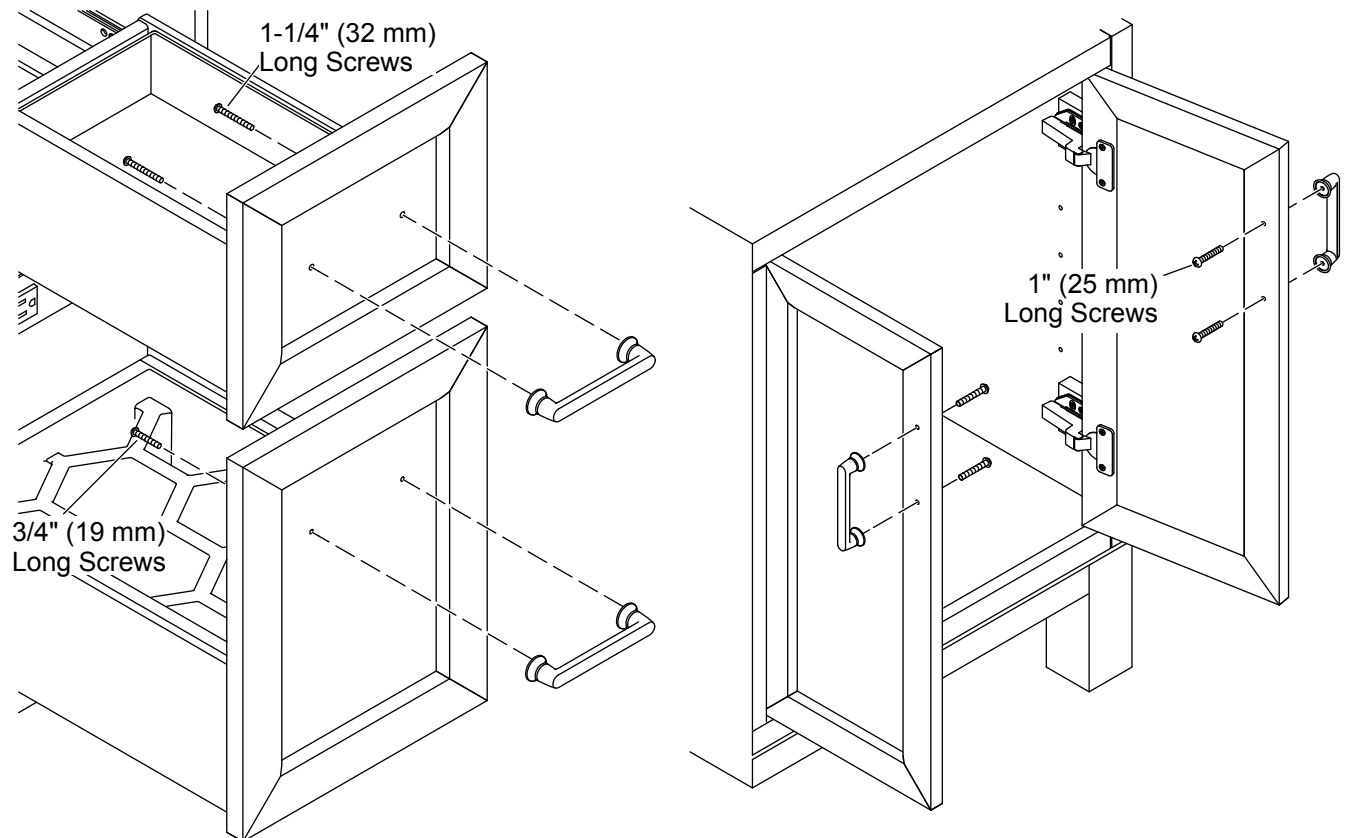


⚠ CAUTION: Risk of personal injury or property damage. Select 250 lb (113.4 kg) load-bearing 5/16" lag bolts with a length to clear obstacles in the wall and 5/16" washers. Calculate the proper lag bolt length by adding the following: 1-1/2" (38 mm) backing material, plus the wallboard thickness, plus the back rail thickness.

⚠ CAUTION: Risk of product damage. Drill the lag bolt pilot holes near the ends of the back rail to provide maximum support and to prevent flexing of the unit.

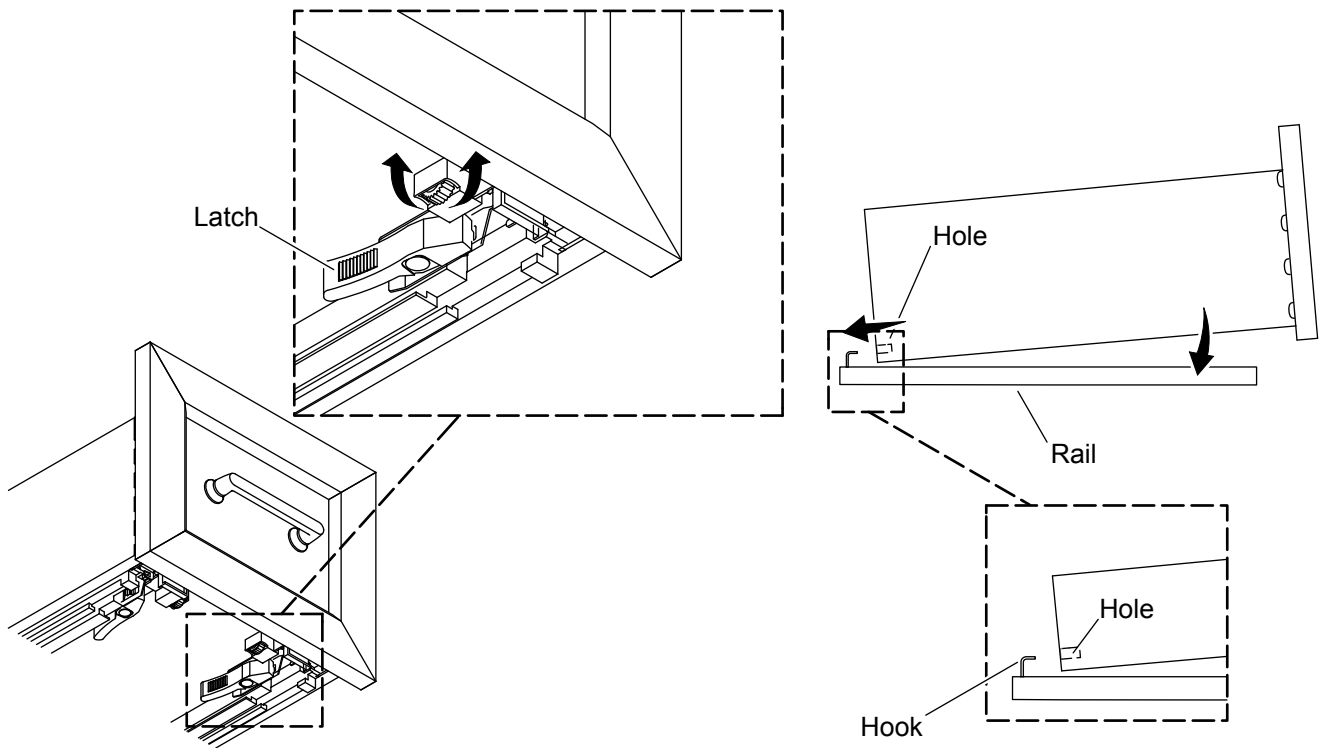
- With assistance, lift and place the cabinet in position against the finished wall. **Do not slide or side-load the legs.**
- If the vanity has an electrical outlet, route the electrical cord to the GFCI-protected, 120 V, 15 A, grounded electrical outlet.
- Verify that the vanity is level and plumb against the wall. If necessary, turn the levelers to adjust the unit.
- Using a 1/4" drill bit, drill a pilot hole through each end of the back rail and into the finished wall. Verify that the holes align with the 2x6 support or a wall stud.
- Secure the vanity to the wall with 5/16" lag bolts and washers (not provided). The lag bolts should engage the 2x6 bracing or a wall stud.
- If the vanity has an electrical accessory component, plug the electrical cord into a GFCI-protected, 120 V, 15 A, grounded electrical outlet.

3. Install the Handles



- Remove the handles and screws from the plastic bag packed with the vanity.
- Use the 1" (25 mm) long screws for the door handles.
- Use the 1-1/4" (32 mm) long screws for the short top drawer handles.
- Use the 3/4" (19 mm) long screws for the tall bottom drawer handles.
- Install the handles and pulls to the outside of the cabinet, using the pre-drilled holes.
- Tighten the screws securely.

4. Remove/Adjust the Drawer



Adjust the Level

- To adjust the level of the drawer, rotate the wheel underneath the front corners to the left or right as needed.

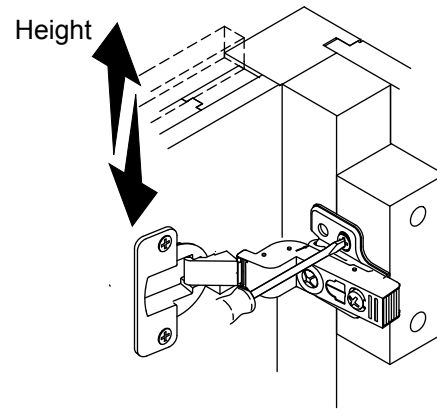
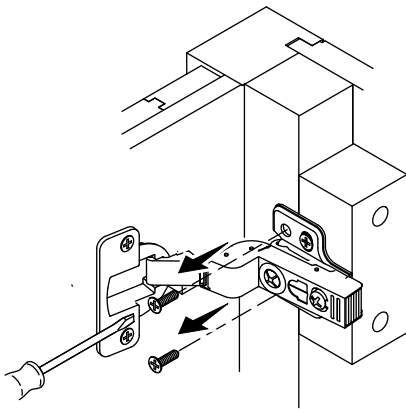
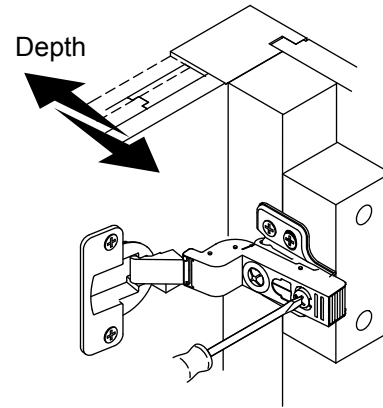
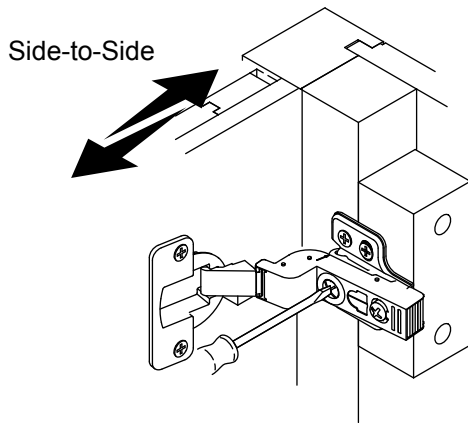
Removal

- Fully extend the drawer.
- From underneath, press the release latches toward the sides of the drawer.
- Lift the front of the drawer to disengage from the rails.

Reinstallation

- Fully extend both rails.
- Rest the back of the drawer onto the rails and align the rail hooks with the drawer holes.
- Rotate the front of the drawer down onto the rails, engaging the bottom of the drawer with the rails.
- Push the drawer closed to fully snap the latches into the rails and insert the rail hooks into the drawer holes.
- Lightly lift the front of the drawer to verify that the drawer is fully engaged with both rails. If not engaged, repeat the "Reinstallation" procedure.

5. Adjust the Door



NOTE: To access the adjustment screws on the hinge, remove the snap on plate covering the adjustment screws.

Side-to-Side Adjustment

- Tighten or loosen the front screw on the hinge to adjust the horizontal position of the door.

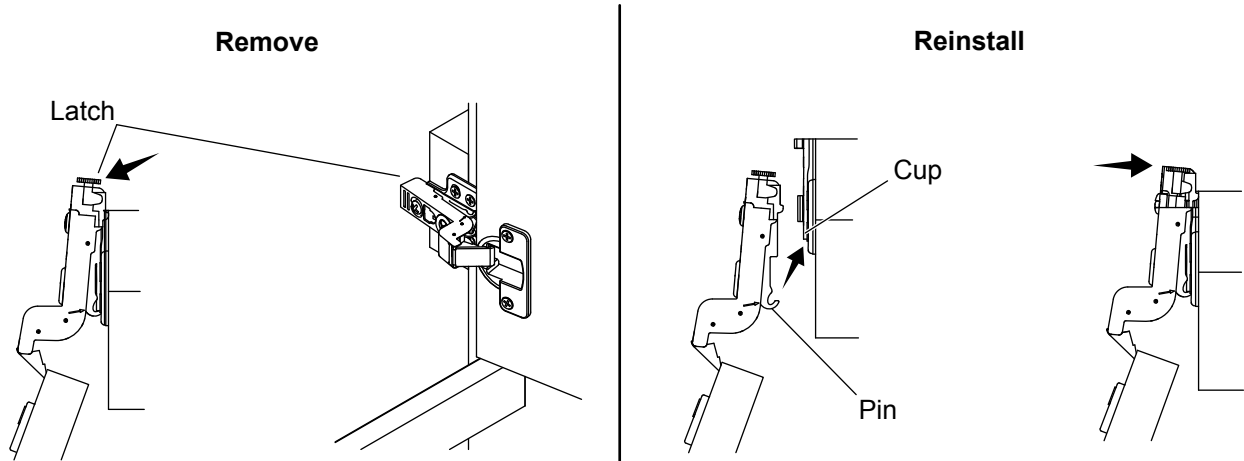
Depth Adjustment

- Tighten or loosen the rear screw to adjust the depth of the door.

Height Adjustment

- Remove the two front screws from the hinges.
- Loosen the two rear screws in the hinges.
- Slide the hinge up or down to adjust the vertical position of the door.
- Tighten the two rear screws.
- Install the two front screws.

6. Remove the Door



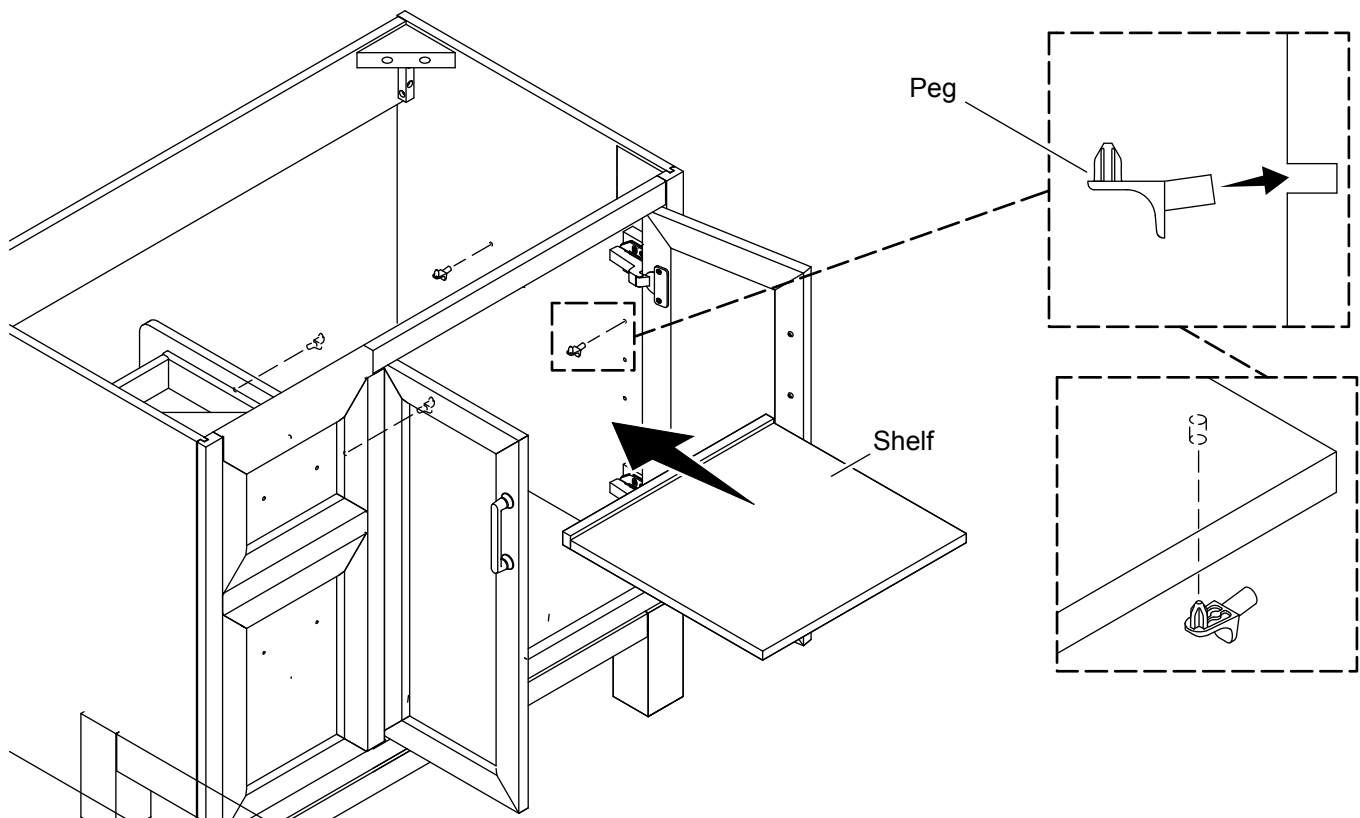
Remove

- With one hand, support the door in the open position.
- Starting with the bottom hinge, press the latch at the end of the hinge to release the latch from the bracket.
- Repeat for the upper hinge.
- Move the door forward to slide the hinges off the brackets.

Reinstall

- With one hand, support the door in the open position.
- Starting with the top bracket, align the hinge pin with the cup of the bracket.
- Press the back of the hinge to snap the latch onto the bracket.
- Repeat for the lower hinge.
- Open and close the door to verify proper operation.

7. Install the Shelves



- Determine the desired height of the shelf inside the cabinet.
- Insert the pegs into the side holes at the desired height.
- Tilt the shelf and position inside the cabinet above the four pegs.
- Rotate the shelf down so the holes on the bottom of the shelf engage the pegs.
- Repeat for any additional shelves.