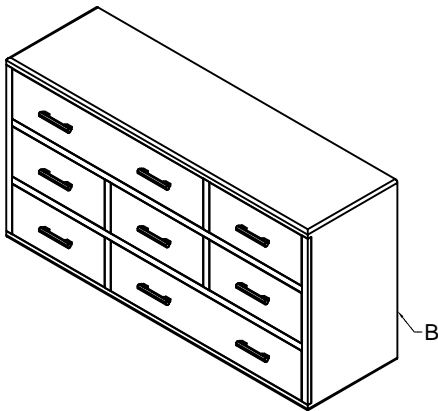


MCKINNEY MIRROR ASSEMBLY INSTRUCTIONS

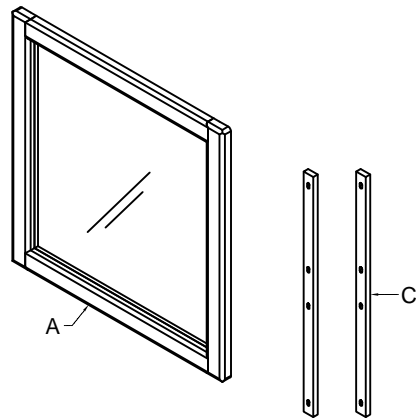


PARTS AND HARDWARE PACKING CONFIGURATIONS

BOX # 1
B. DRESSER: 1PC

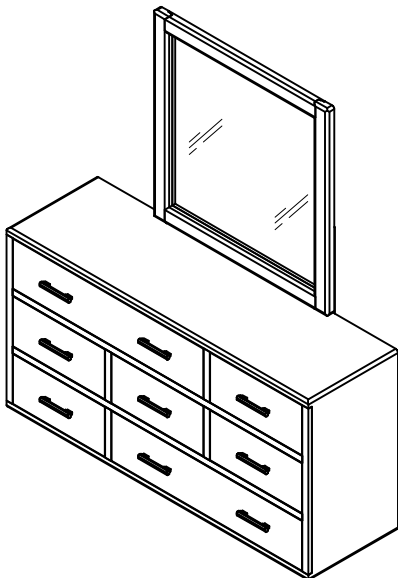


BOX # 2
A. MIRROR : 1PC
C. MIRROR SUPPORT: 2PCS

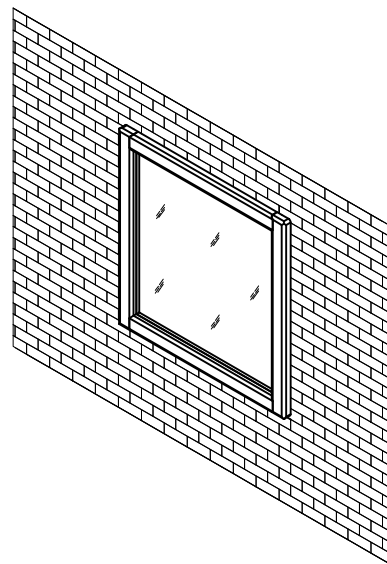


HARDWARE IN PLASTIC POUCH

OPTION 1:
MIRROR ATTACHED TO DRESSER



OPTION 2:
MIRROR ATTACHED TO WALL



HARDWARE PACKED IN BOX #2

HARDWARE FOR OPTION 1

1	ALLEN BOLT M6X40	08 PCS	2	FLAT WASHER M6	08 PCS	3	ALLEN KEY	01 PC

HARDWARE FOR OPTION 2

1	WOOD SCREWS M4X40	02 PCS

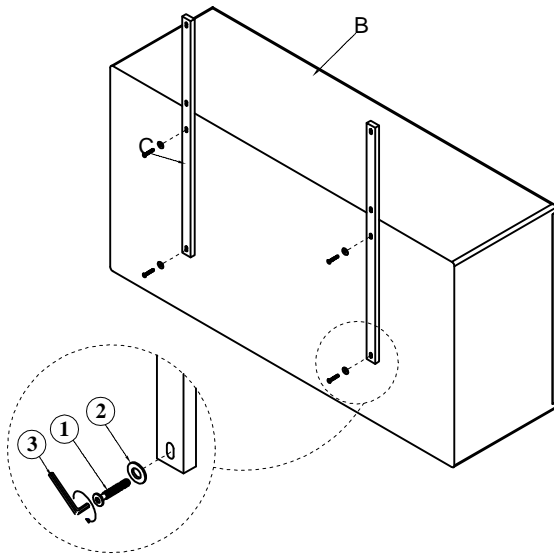
MCKINNEY MIRROR ASSEMBLY INSTRUCTIONS



OPTION 1 : ATTACHING MIRROR TO DRESSER

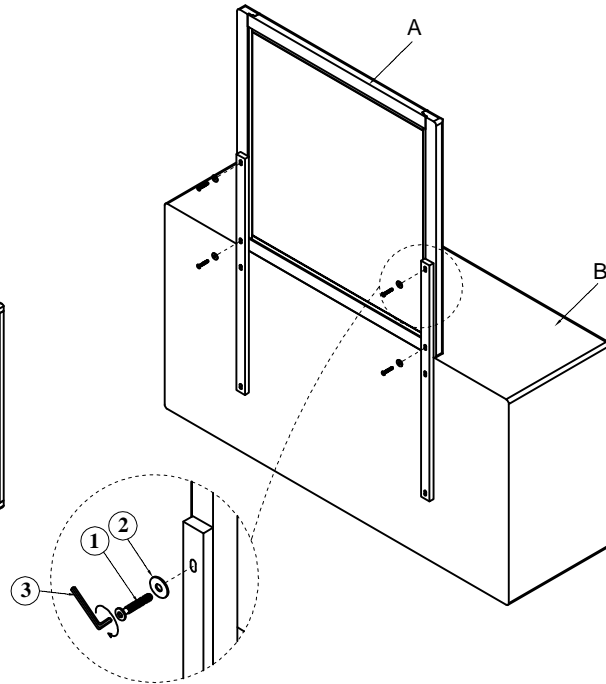
STEP 1

ATTACH THE MIRROR SUPPORTS (C) TO THE BACK OF THE DRESSER USING TWO ALLEN BOLTS (1) AND FLAT WASHERS (2) PER SUPPORT. TIGHTEN, BUT DO NOT TIGHTEN COMPLETELY, WITH THE ALLEN KEY (3)



STEP 2

ATTACH THE MIRROR (A) TO THE MIRROR SUPPORTS USING TWO ALLEN BOLTS AND FLAT WASHERS PER SUPPORT. TIGHTEN ALL THE BOLTS, INCLUDING THOSE FROM STEP 1, COMPLETELY WITH THE ALLEN KEY.



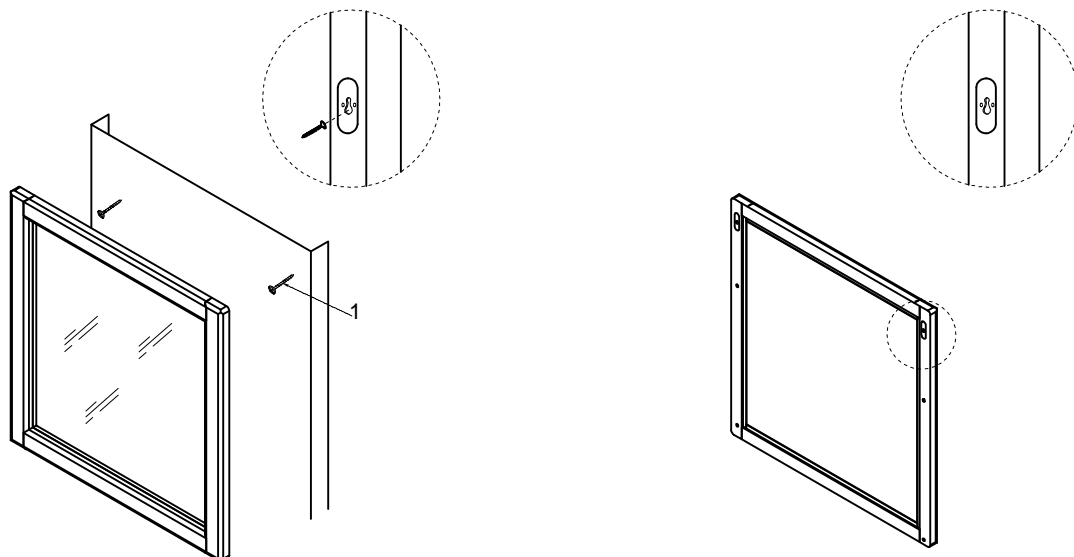
OPTION 2 : ATTACHING MIRROR TO WALL

Pre-Installed mirror brackets are the teardrop shaped hardware on the back of the mirror. Test the connection of the bracket and the mounting hardware (screw (1)) before installing for a secure, safe fit.

Install mounting hardware (screw (1)) on the wall. Make sure the distance between the mounting hardware (screw (1)) matches the distance between the brackets center of the mirror.

CAUTION! We recommend installing the mounting hardware (screw (1)) in wall studs or a board that is secured to the studs. Consult a professional installer before mounting to drywall.

Hang the mirror from the mounting hardware (screw (1)). Ensure that the teardrop brackets have caught the mounting hardware (screw (1)) securely.



FRONT VIEW OF MIRROR

BACK VIEW OF MIRROR