

AXOR Starck
Electronic Faucet with Preset Temperature Control, 0.5 GPM
 Finishes : **chrome** Part no. : **10106001**



Description

Features

- Aerated spray
- Flow: 0.5 GPM (1.9 L/Min)
- Pre-set temperature
- Infrared sensor
- Battery operated (battery type 6V CR-P2, included) with low battery indicator
- Temporary water stop feature for cleaning
- 3/8" hoses

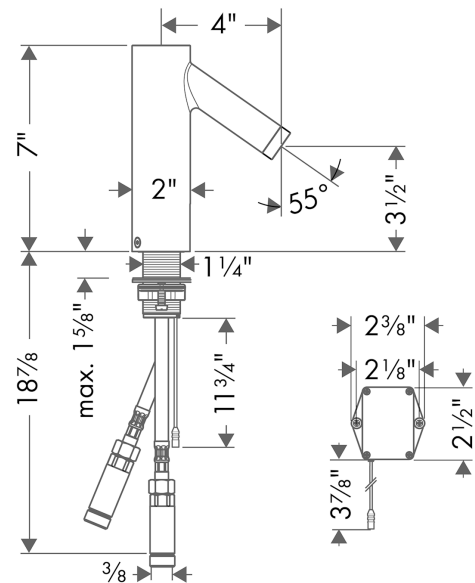
Technology



Product image



Scale drawing

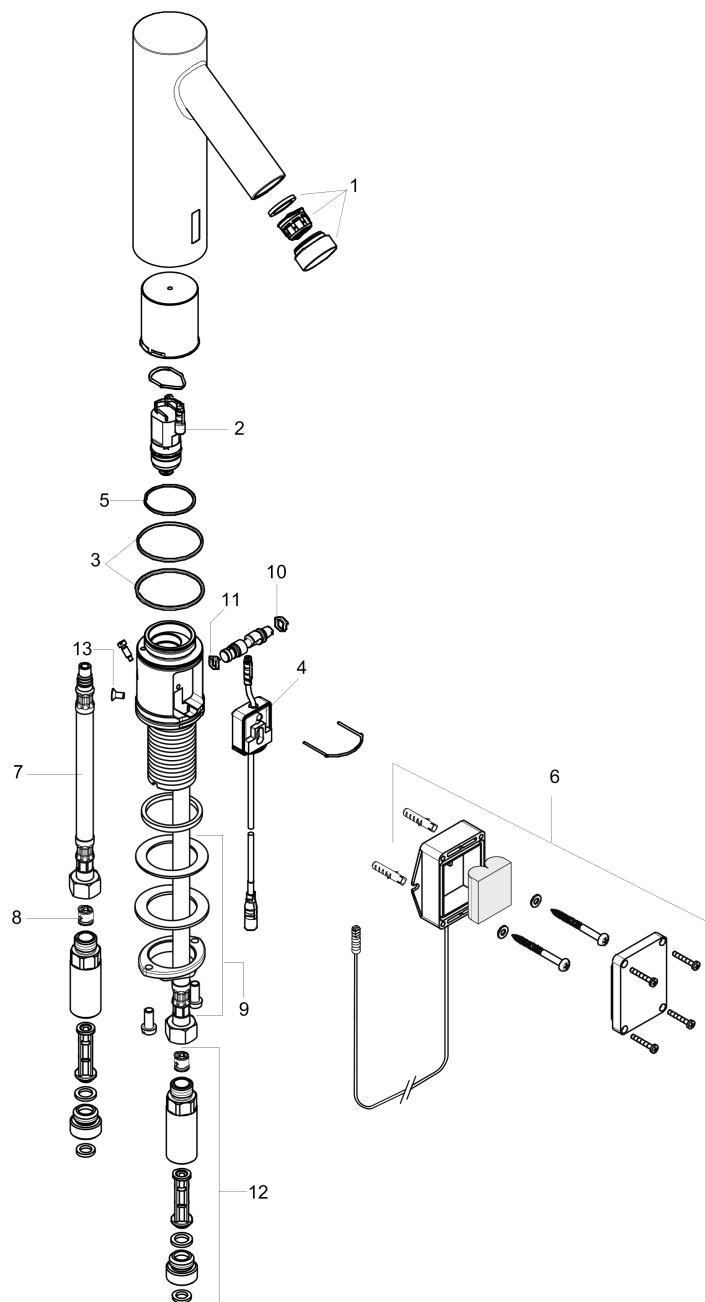


AXOR Starck
Electronic Faucet with Preset Temperature Control, 0.5 GPM
Finishes : **chrome** Part no. : **10106001**



Exploded drawing

Year of production: >08/18



AXOR Starck
Electronic Faucet with Preset Temperature Control, 0.5 GPM
 Finishes : **chrome** Part no. : **10106001**



Spare parts list

Year of production: >08/18

Pos.	Description	Part no.	PC	PU
1	aerator M24x1 (1,9 l/min)	93081000	0	1
2	solenoid valve	95654000	0	1
3	O-ring 41x2	98212000	0	1
4	electronics incl. solenoid valve	98803000	0	1
5	O-ring 31x2	98204000	0	1
6	battery box	98801000	0	1
7	connection hose 450 mm	92345001	0	1
8	non return valve DW 10	96456000	0	1
9	fixing set (Ø 32)	13961000	0	1
10	O-ring 6x2	98458000	0	1
11	O-ring 5x2	98215000	0	1
12	back flow preventor cartridge with microfilter	92297001	0	1
13	screw	93272000	0	1