


ASSEMBLY INSTRUCTION

ITEM: # 5381-55484 ENTERTAINMENT CONSOLE

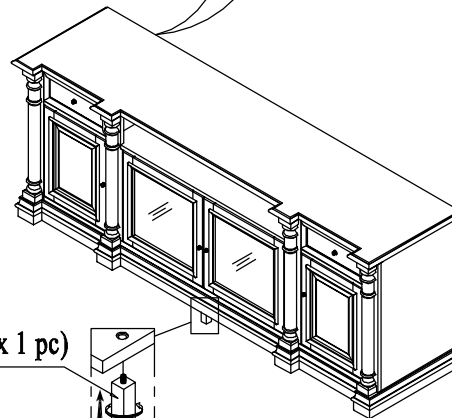
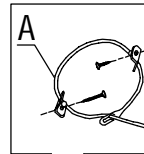
Thank you for purchasing this quality product. Be sure to unpack carefully looking for small parts which may have come loose during shipment.

Read all instruction and study the drawing carefully before starting the assembly process:

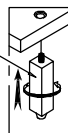
HARDWARE LIST

NO.	DRAWING	Q' TY	DESCRIPTION
A		1 Set	TIPPING RESTRAINT

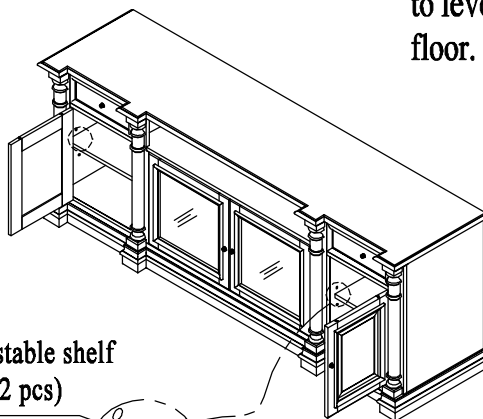
Tipping
Restraint here.



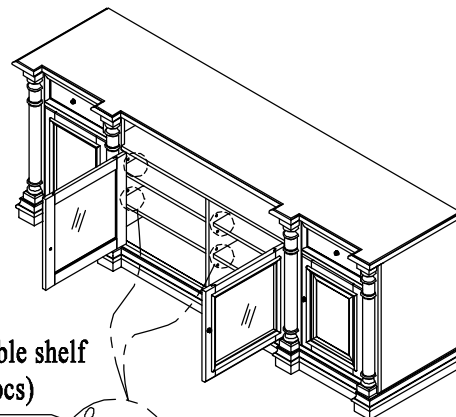
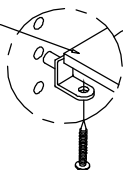
Center leg (x 1 pc)



Adjust leveler if needed
to level case on uneven
floor.



Adjustable shelf
(x 2 pcs)



Adjustable shelf
(x 4 pcs)

