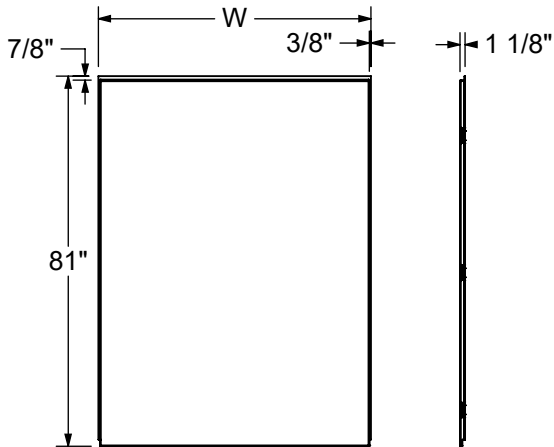
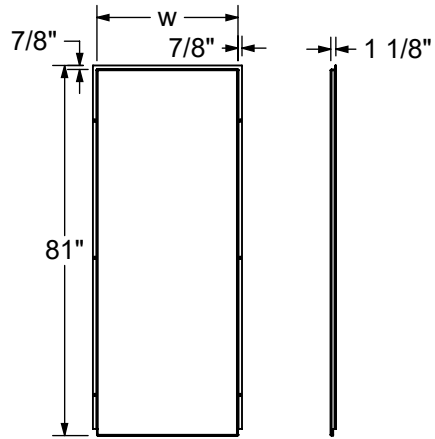


BACK WALL



| Code | Description | W (in.) |
|--------|------------------------|---------|
| 103411 | Utile 48 in. back wall | 47 5/8 |
| 103412 | Utile 60 in. back wall | 59 5/8 |

SIDE WALL

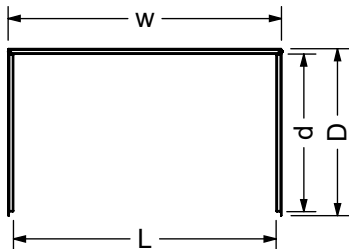


| Code | Description | W (in.) |
|--------|------------------------|---------|
| 103409 | Utile 32 in. side wall | 32 1/2 |

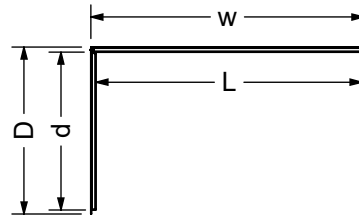
TOP VIEW (ASSEMBLED)

| Configuration | W (in.) | L alcove (in.) | L corner (in.) | D (in.) | d (in.) |
|---------------|---------|----------------|----------------|---------|---------|
| Utile 4832 | 47 3/4 | 45 1/2 | 46 1/4 | 32 3/4 | 30 3/4 |
| Utile 6032 | 59 3/4 | 57 1/2 | 58 1/8 | 32 3/4 | 30 3/4 |

ALCOVE



CORNER



This product is designed to be installed in a building that conforms with the requirements of the National Building Code of Canada 2005

All dimensions are approximate. Structure measurements must be verified against the unit to ensure proper fit.