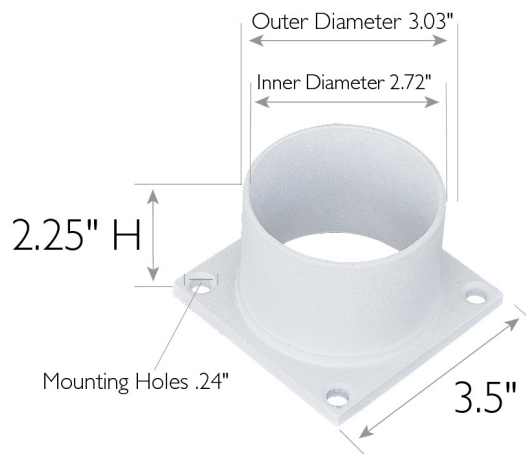


Pier Base Accessory Mount
White



SPECIFICATIONS

| | | | |
|---------------------------|---------------------------|---|-----|
| MOUNTING: | Surface Mount | LED BRIGHTNESS (LUMENS): | N/A |
| SLOPED CEILING ADAPTABLE: | No | LED COLOR CORRELATED TEMPERATURE (CCT): | N/A |
| LAMP TYPE 1: | N/A | LED COLOR RENDERING INDEX (CRI): | N/A |
| BULB INCLUDED: | No | LED EFFICACY: | N/A |
| WATTS PER BULB: | N/A | LED AVERAGE RATED LIFE: | N/A |
| TOTAL WATTAGE: | N/A | ENERGY EFFICIENT: | N/A |
| DIMMABLE: | N/A | LIGHTING AMPS: | N/A |
| MATERIAL CONSTRUCTION: | Aluminum | VOLTAGE: | N/A |
| ASSEMBLED DIMENSIONS: | 2.25" H x 3.5" L x 3.5" D | | |
| WEIGHT: | 0.3 lbs. | | |
| BACKPLATE DIMENSIONS: | N/A | | |
| CANOPY/PLATE DIMENSIONS: | N/A | | |
| GLASS/SHADE DIMENSIONS: | N/A | | |
| GLASS/SHADE MATERIAL: | N/A | | |
| GLASS/SHADE TYPE: | N/A | | |
| GLASS/SHADE COLOR: | N/A | | |

| | |
|------------------------|--------------------------|
| WARRANTY: | 10-Year limited warranty |
| UL/ETL CERTIFICATION: | N/A |
| WET/DRY/DAMP LISTING: | N/A |
| ADA COMPLIANT: | N/A |
| ENERGY STAR CERTIFIED: | N/A |



| |
|-------------|
| TYPE: |
| JOB: |
| ORDER CODE: |
| APPROVALS: |