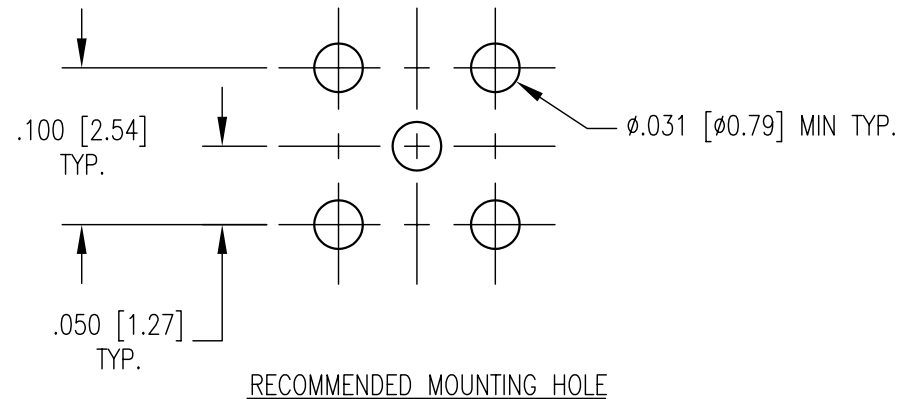
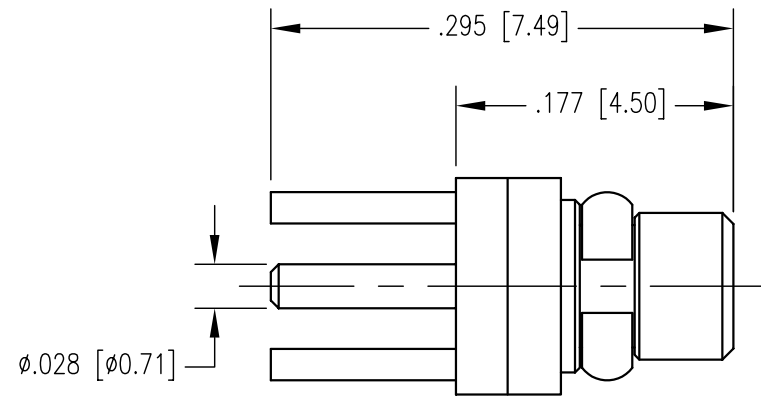
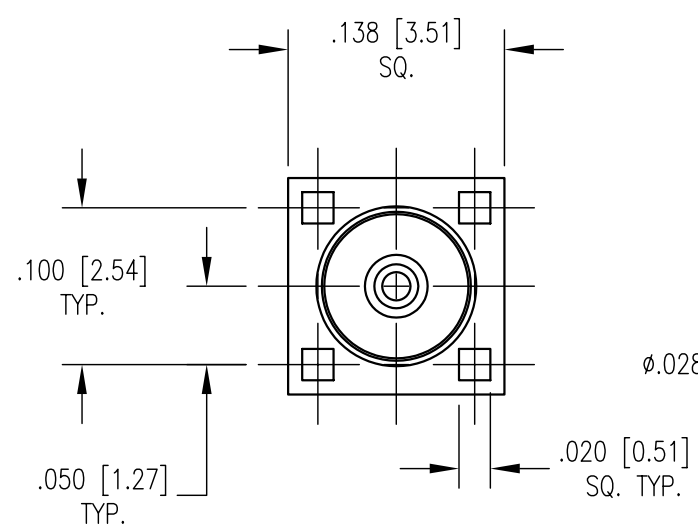


REV	DESCRIPTION	BY DATE	APPD
B	REMOVED STANDOFF. REVISED DIMENSIONS. ECR# 8399	JMG 12/22/04	SD



NOTES:

1. MATERIALS:
 BODY: BRASS
 INSULATOR: TEFLON
 CONTACT: COPPER ALLOY
 CLIP RING: BERYLLIUM COPPER
2. FINISH:
 BODY AND CLIP RING: GOLD PLATE
 CONTACT: .000030 MIN. GOLD OVER NICKEL

PER ASME Y14.5M-1994 UNLESS OTHERWISE SPECIFIED: DIMENSIONS ARE IN INCHES [MM] TOLERANCES: DECIMALS .XX ± .01 [0.254] .XXX ± .005 [0.127] ANGLES ± 2° SCALE: 8:1		NORTHROP GRUMMAN Winchester Electronics 400 Park Road Watertown, CT 06795	
CUSTOMER DRAWING		TITLE MMCX STRAIGHT P.C. MOUNT PLUG	
DRAWN JWH	DATE 7/18/02	CHECKED JED	DATE 7/22/02
APPROVED JEM	DATE 7/22/02	APPROVED KJT	DATE 7/22/02
A		SD470-040-0040Y	SHT. 1 OF 1 REV. B