

# 88 5523 431 Dresser

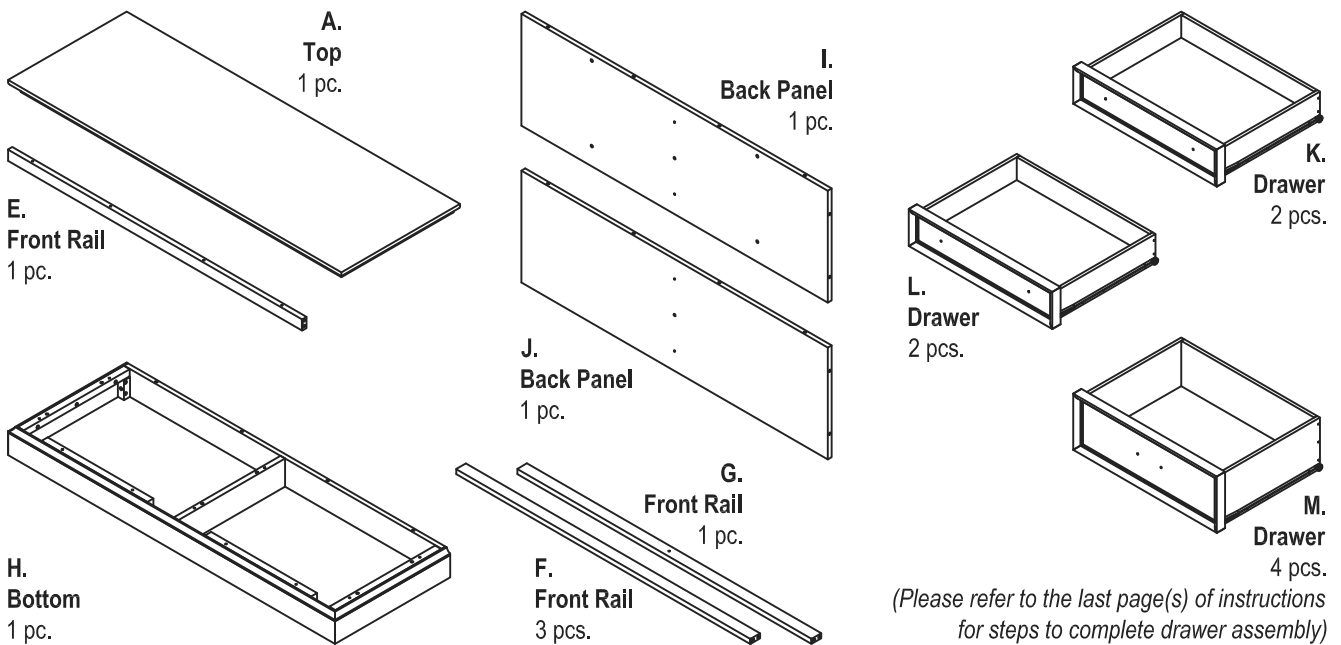


## IMPORTANT NOTE

Carefully remove all the parts from the carton and put them individually on a soft cloth to prevent scratches or other damage occurring to the parts.

We have taken great care in the design of this product and request that you carefully and strictly follow our assembly instructions to ensure a completed product as it was designed.

## Part List



## Hardware List



Cam Lock Screw  
42 pcs. (+4 extra)



Cam Lock  
42 pcs. (+4 extra)



(M4x38)  
1 3/4" Round Head Screw  
4 pcs. (+1 extra)



(M4x32)  
1 1/4" Round Head Screw  
13 pcs. (+1 extra)



(M3x32)  
1 1/4" Flat Head Screw  
104 pcs. (+1 extra)



(M3x19)  
3/4" Flat Head Screw  
56 pcs. (+1 extra)



(M4x22)  
Machine Screw  
16 pcs.



Knob  
8 pcs.



Handle  
4 pcs.

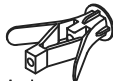


Wooden Dowel  
11 pcs. (+1 extra)

## Tipover Restraint Kit:



Tipover Restraint  
1 pc.



Anchor  
1 pc. (+1 extra)



1 1/2" Round Head Screw  
(M3x38)  
1 pc. (+1 extra)



1/2" Round Head Screw  
(M3x13)  
1 pc. (+1 extra)



Flat Washer  
2 pcs. (+1 extra)

Also need the Parts in carton 88 5523 432

Tools Required For Assembly : Phillips screwdriver, Drill, 3/8" Drill Bit, Level

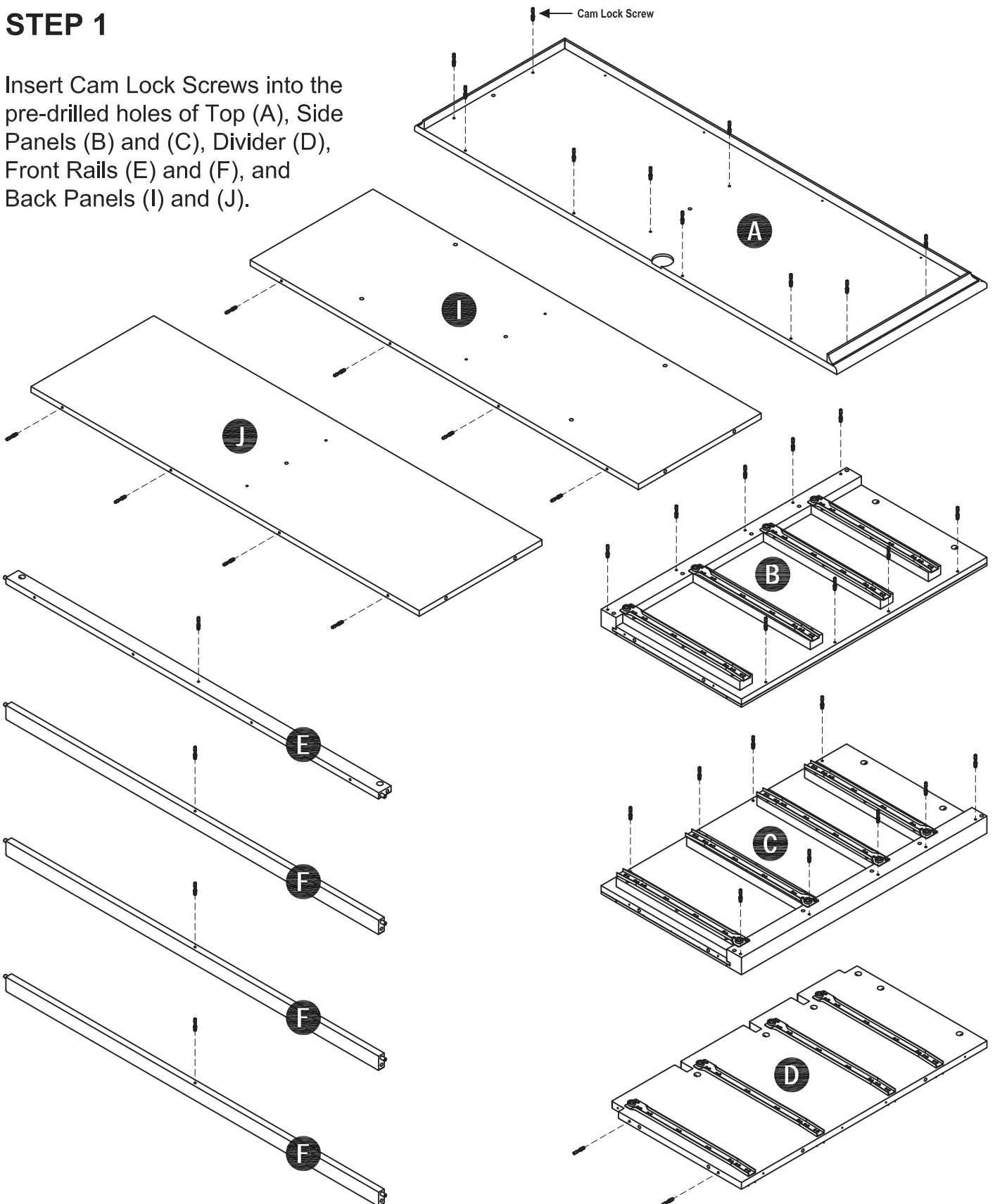
**Home Styles Consumer Assistance:** [www.homestyles-furniture.com](http://www.homestyles-furniture.com),  
[servicedesk@homestyles-furniture.com](mailto:servicedesk@homestyles-furniture.com), 888-680-7460, 877-831-0319

## IMPORTANT

- \* Do not tighten up all the screws until each part is properly assembled.
- \* Use a soft cloth between these parts and the floor.
- \* After assembly, item must be level to work properly. Use the included adjustable levelers to level.

## STEP 1

Insert Cam Lock Screws into the pre-drilled holes of Top (A), Side Panels (B) and (C), Divider (D), Front Rails (E) and (F), and Back Panels (I) and (J).



**STEP 2**

Assemble Back Panels (I) and (J) with Cam Locks. (See Figure 1)

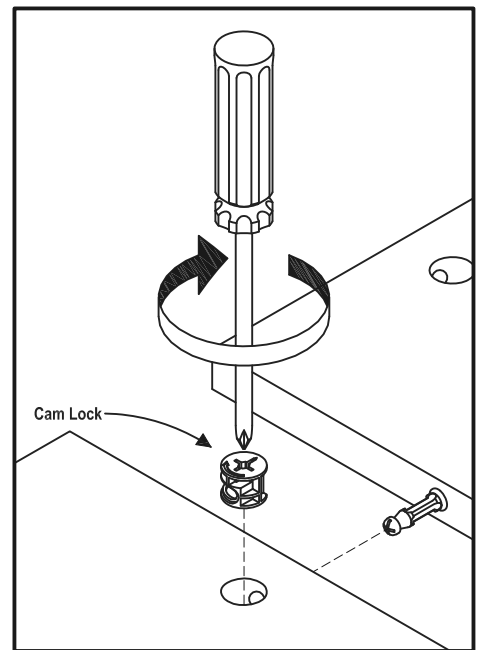
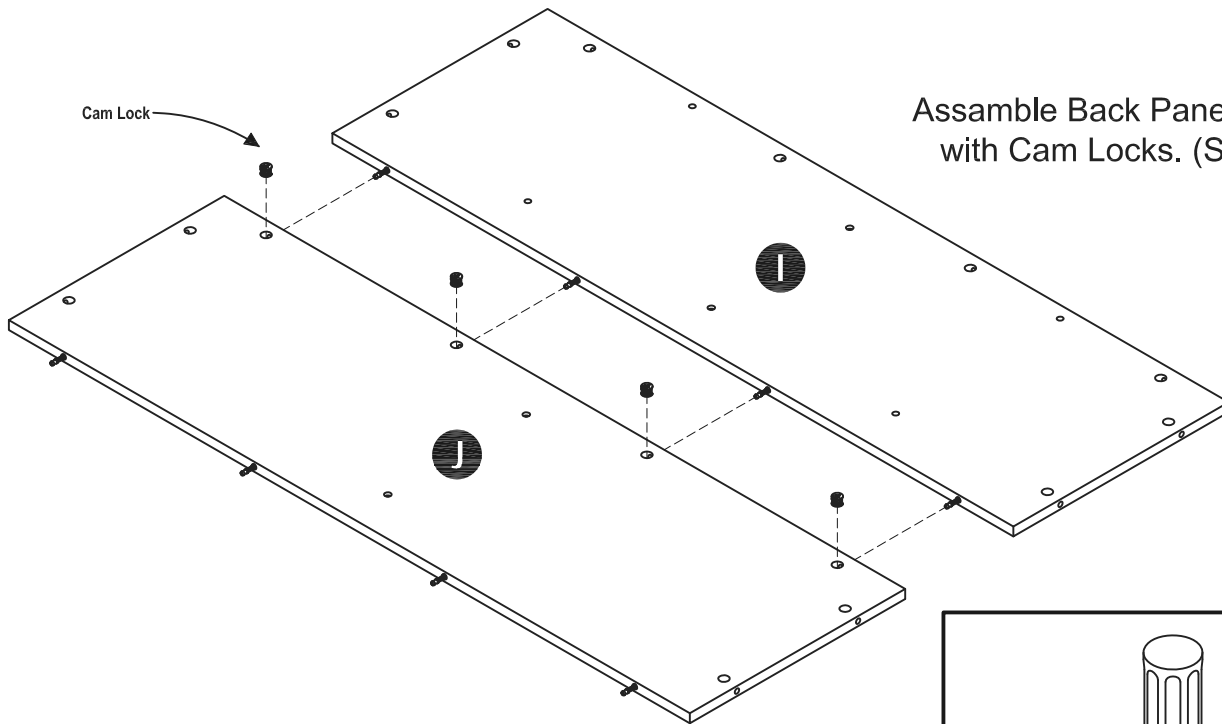
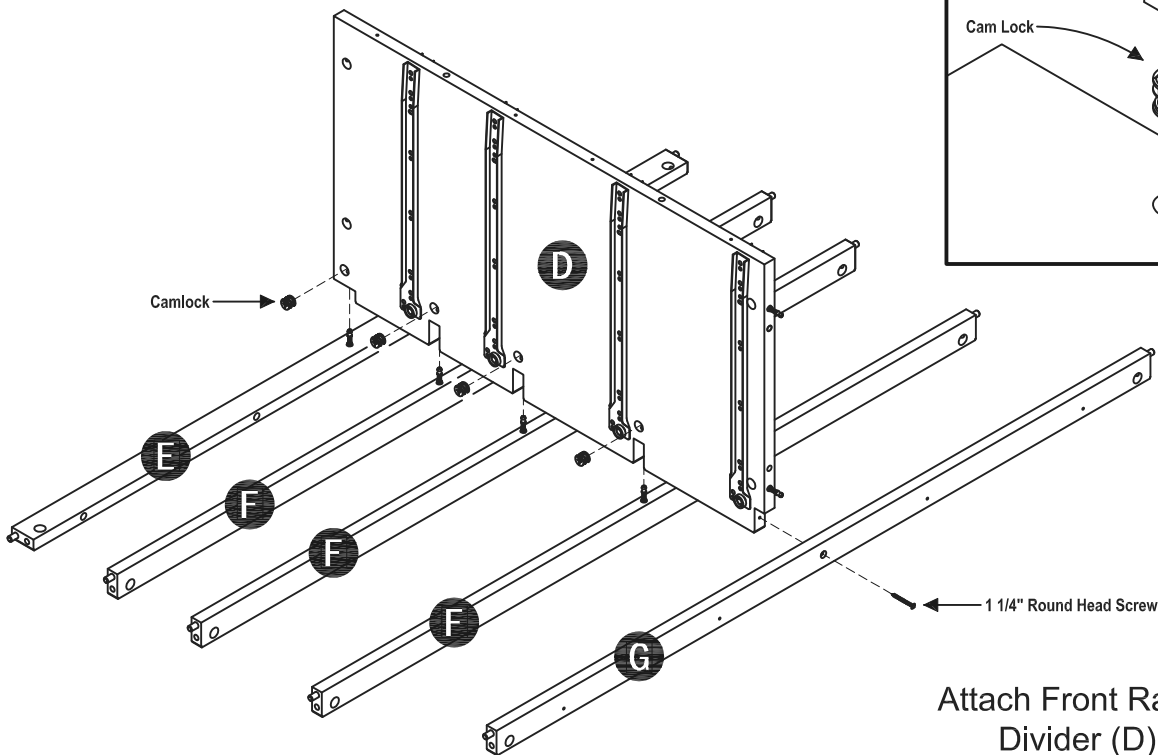


Figure 1



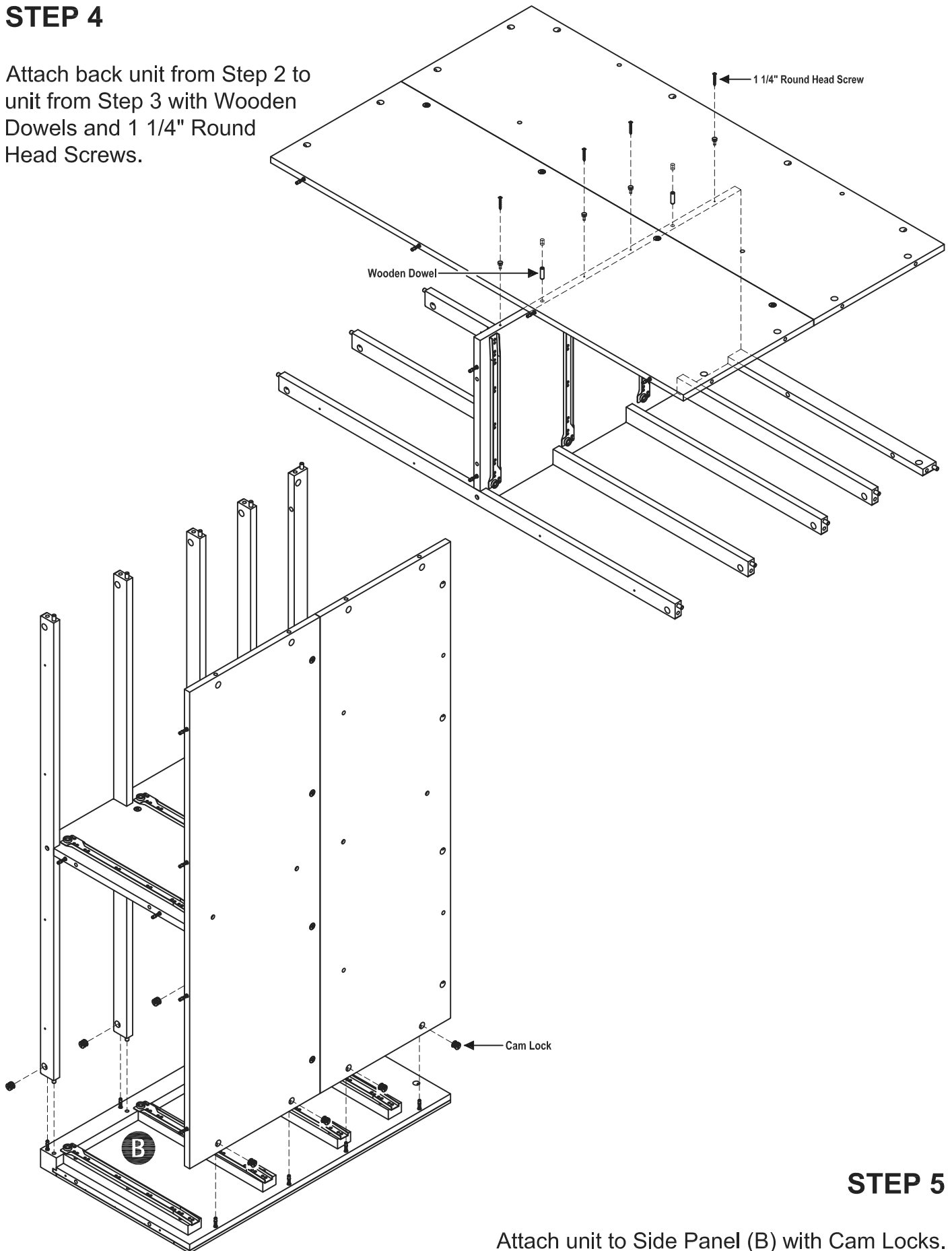
**STEP 3**

Attach Front Rails (E) and (F) to Divider (D) with Cam Locks.

Attach Front Rail (G) to Divider (D) with 1 1/4" Round Head Screw.

## STEP 4

Attach back unit from Step 2 to unit from Step 3 with Wooden Dowels and 1 1/4" Round Head Screws.

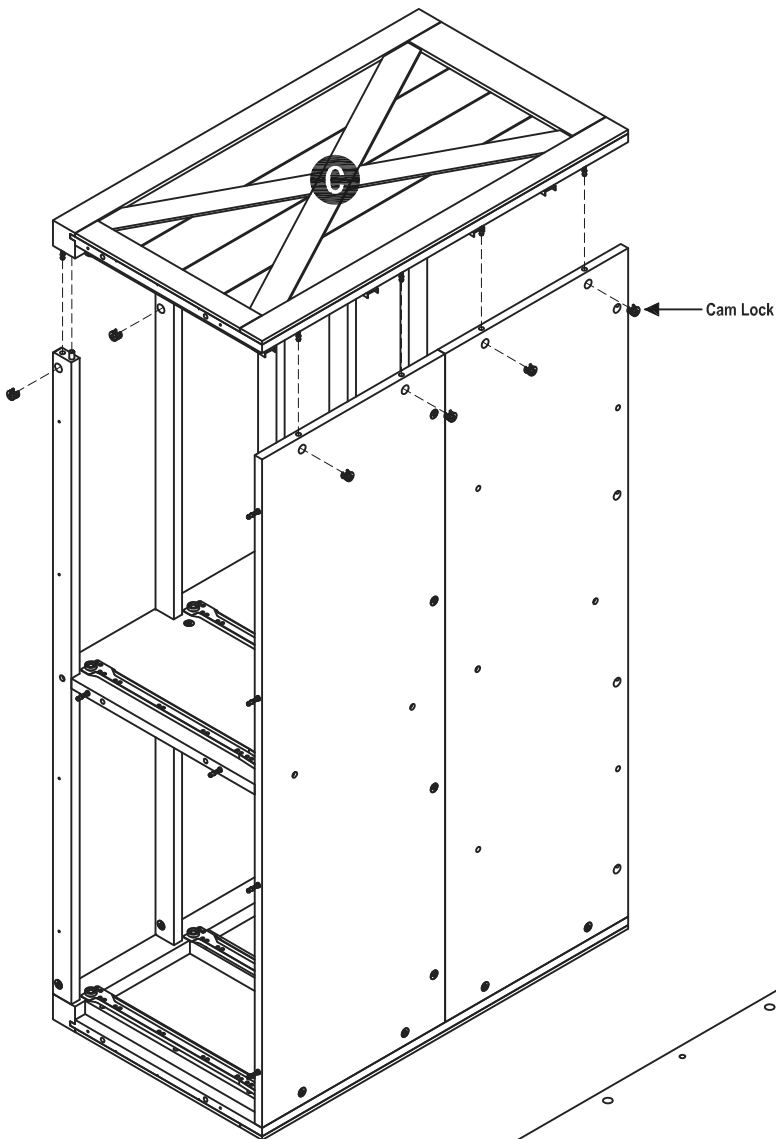


## STEP 5

Attach unit to Side Panel (B) with Cam Locks.

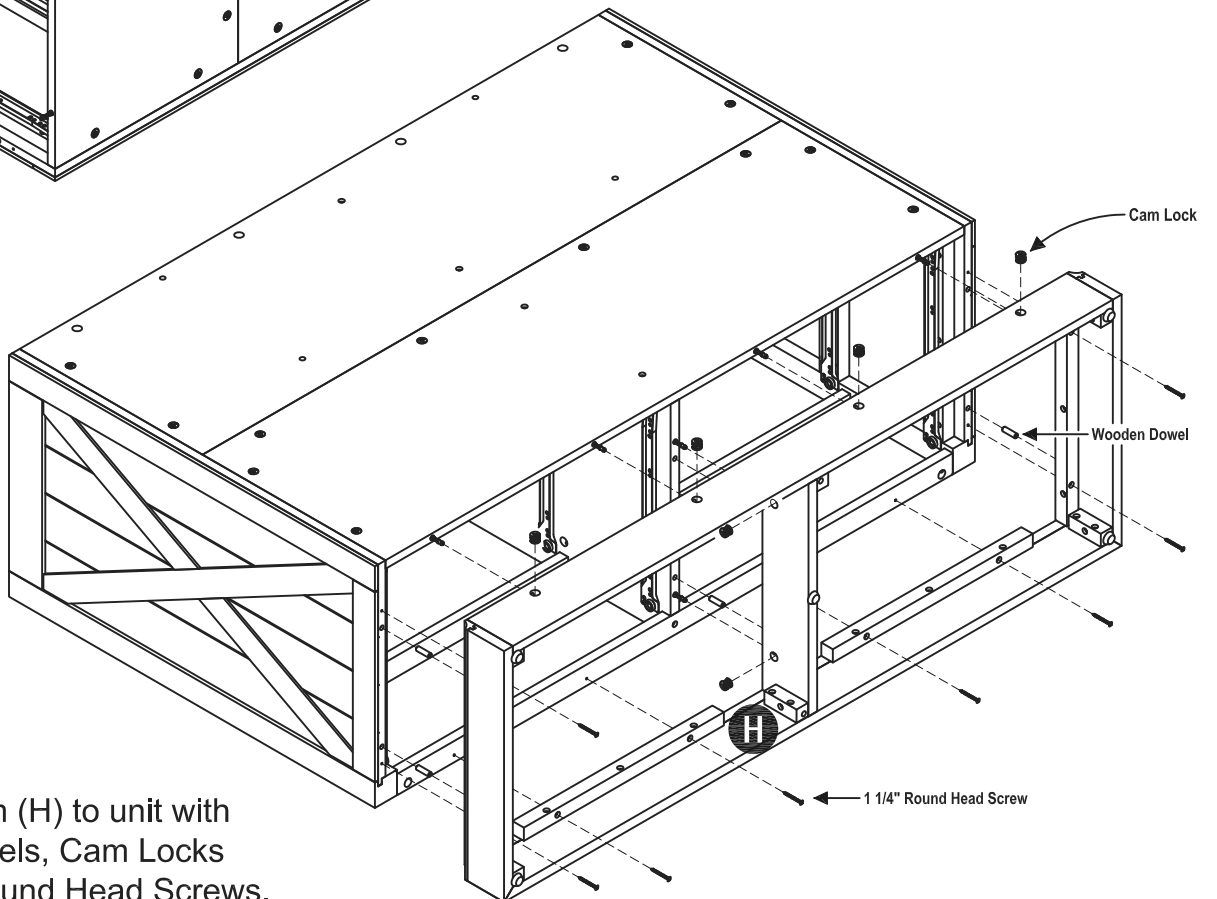
**STEP 6**

Attach Side Panel (C) to unit with Cam Locks



**STEP 7**

Attach Bottom (H) to unit with Wooden Dowels, Cam Locks and 1 1/4" Round Head Screws.



## STEP 8

Attach Top (A) to unit with Wooden Dowels, Cam Lock and 1 3/4" Round Head Screws.

**Note: A Philips screwdriver 5" or less in length is recommended.**

To level the unit, adjust the adjustable levelers on the bottom of the legs. (See Figure 2)

**Note: Unit must be level to work properly.**

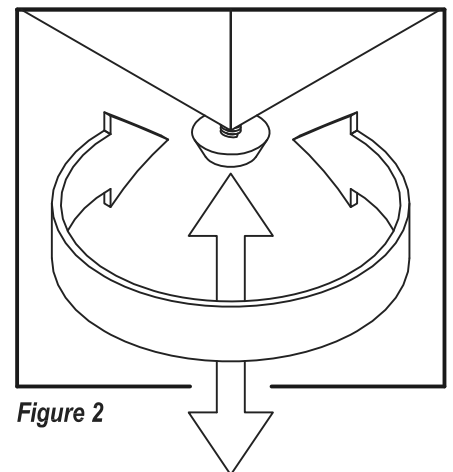
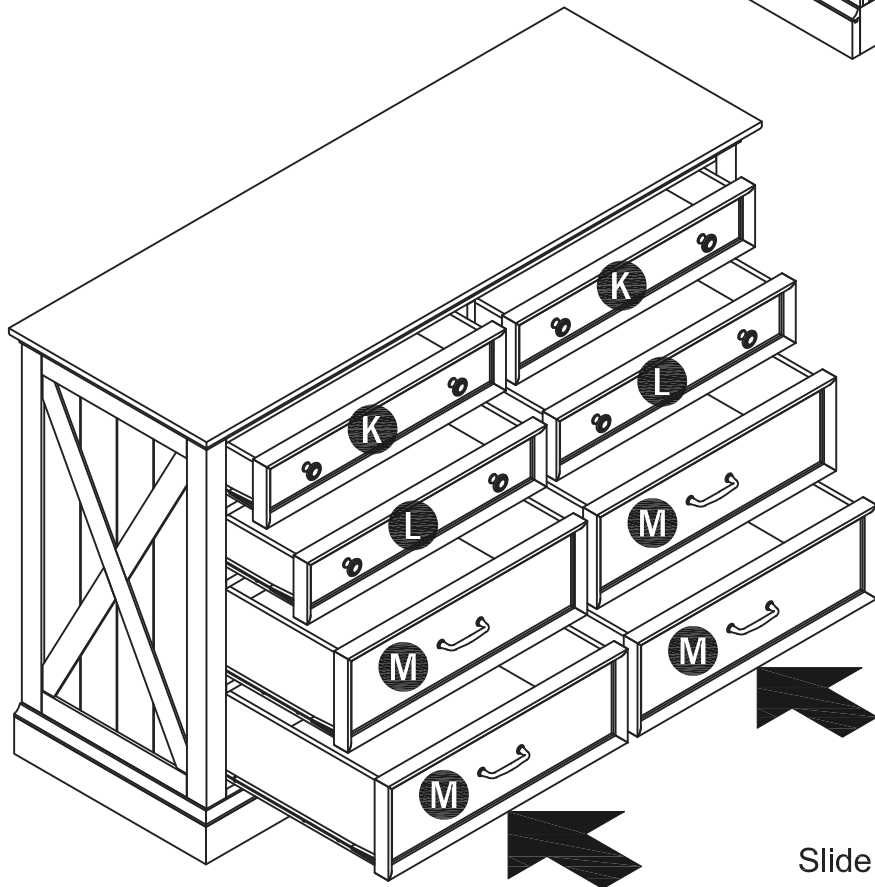
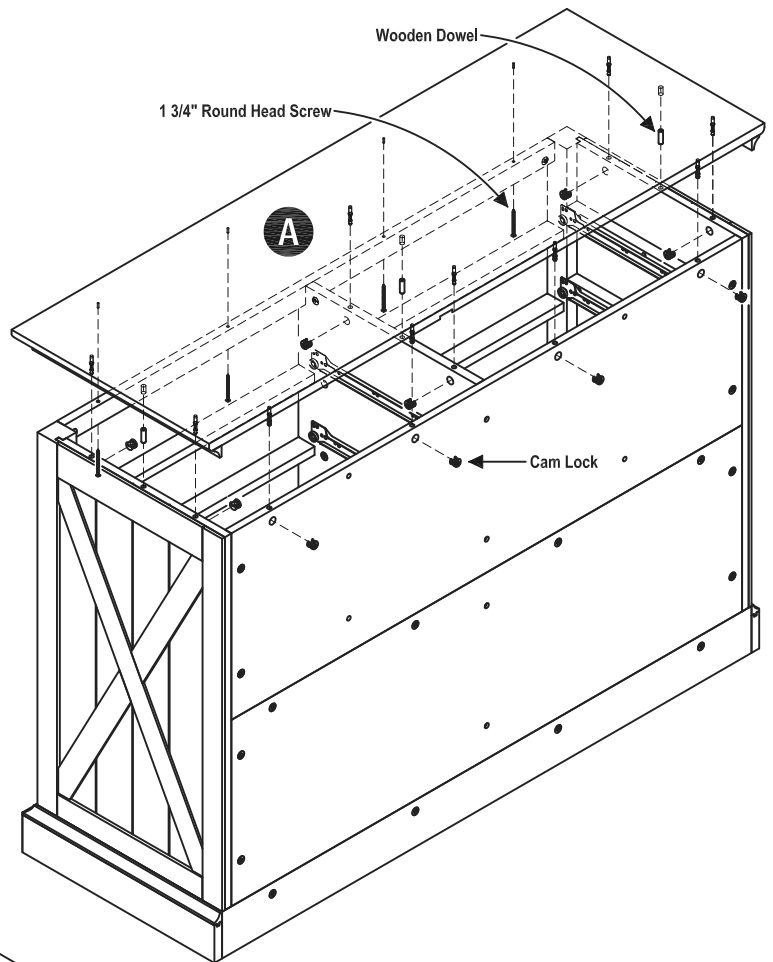


Figure 2

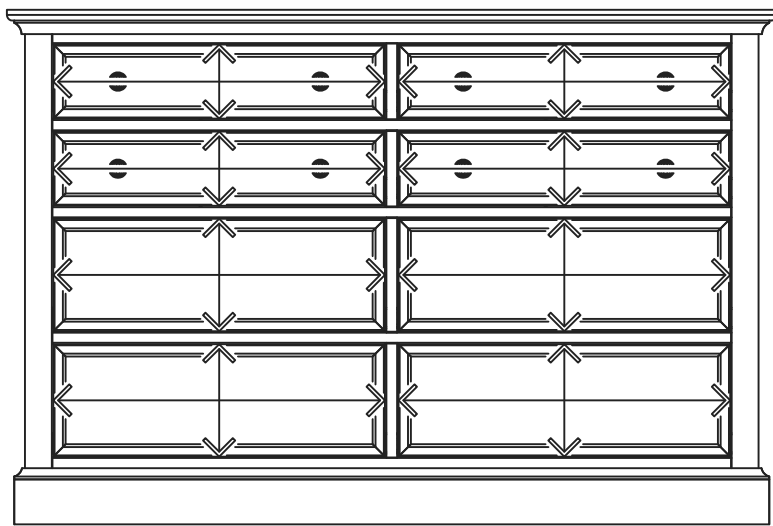
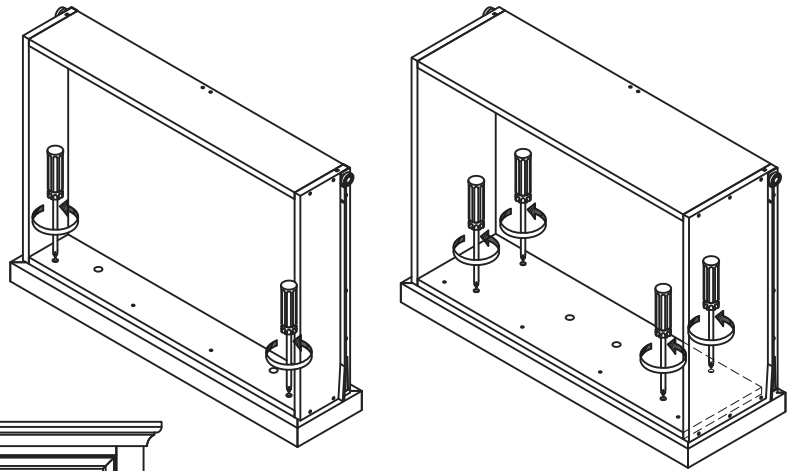
## STEP 9

Slide Drawers (K), (L) and (M) into place.

Note: Follow the steps on the next page to use 3/4" Flat Head Screws to complete drawer assembly.

## STEP 10

Loosen slightly the screws pre-installed on the back of the drawer fronts.

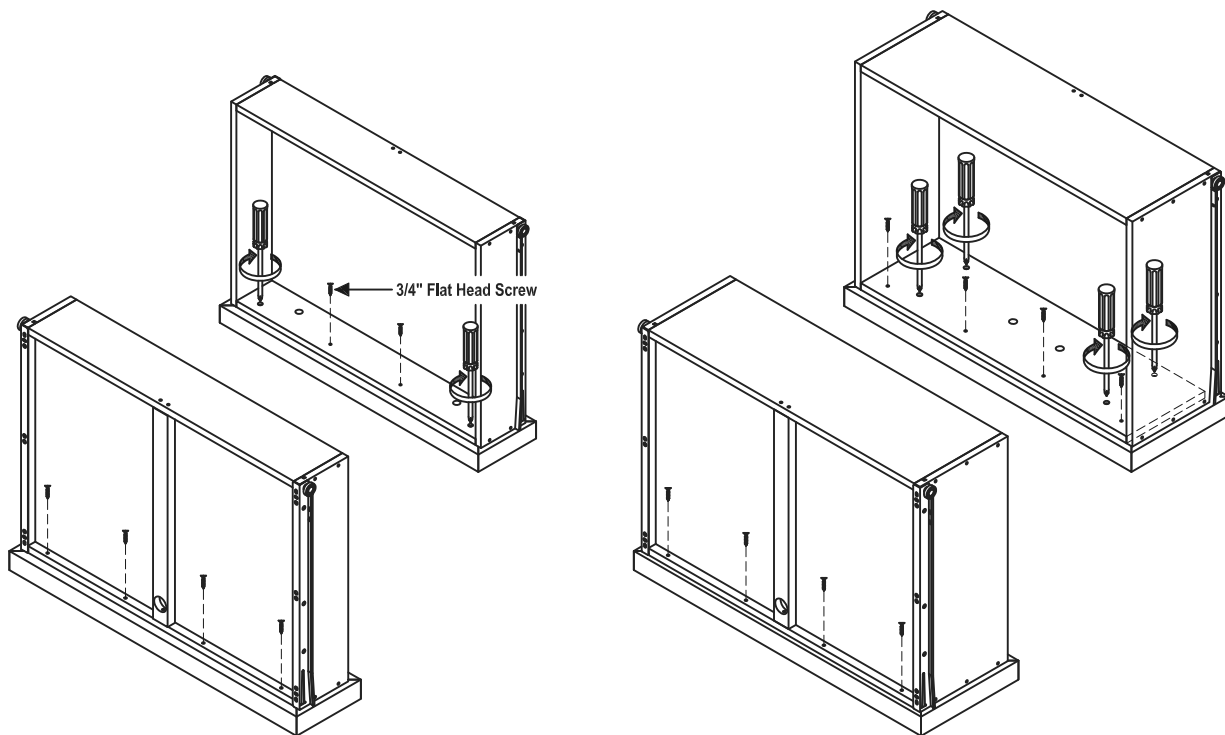


## STEP 11

Insert the drawer into the unit, then adjust the drawer front panel left or right and up or down until the drawer gaps look proportional.

## STEP 12

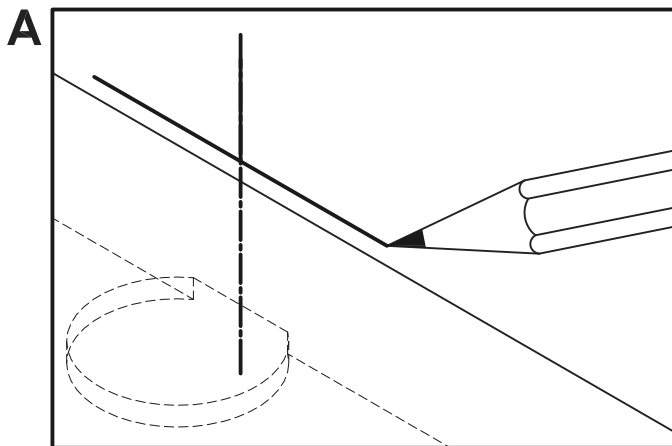
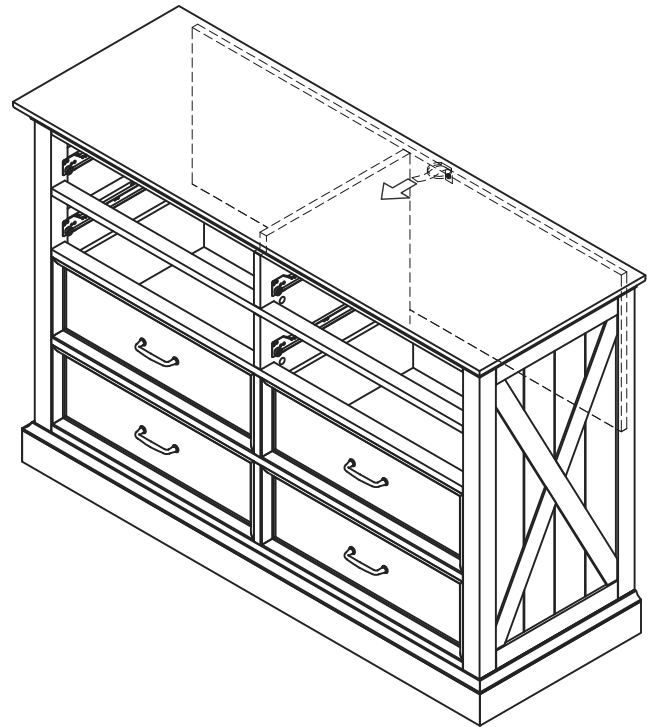
Pull the drawer open slowly and re-tighten the screws from Step 10. Make sure the front panel does not move and lock the drawer front panel into position with 3/4" Flat Head Screws.



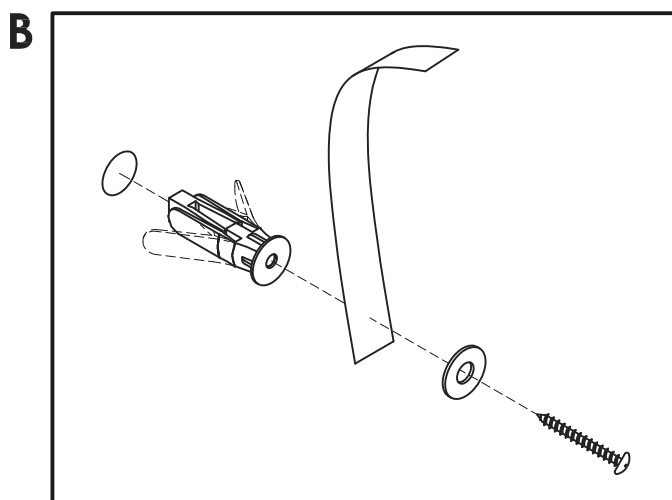
**Note:** These 3/4" Flat Head Screws on this page must be installed to complete the drawer assembly.

## ATTENTION!

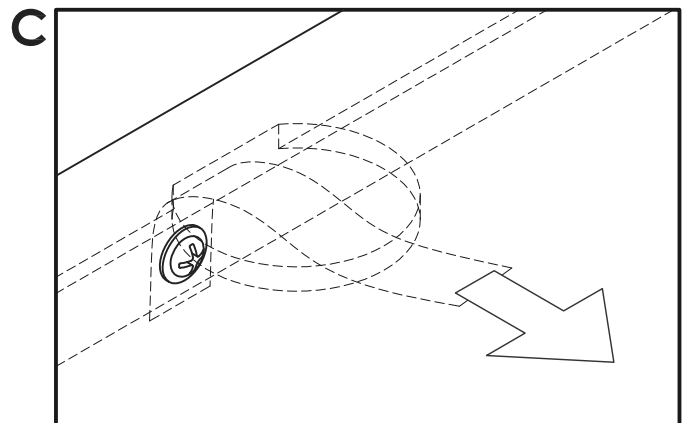
To help reduce the risk of the unit tipping over, the Tipover Restraint must be installed following these instructions exactly!



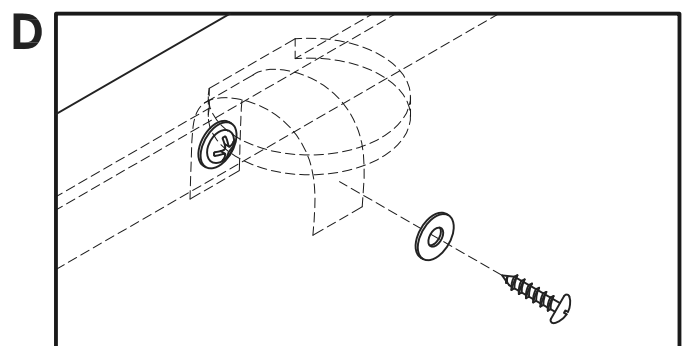
- Place the unit at desired location.
- Remove Drawers (L,M) from unit.
- Mark wall with pencil to show position of hole in Top (A).
- Move unit.



- Drill a 3/8" hole in wall 1 1/2" below mark.
- Insert Anchor into the wall hole.
- Attach Tipover Restraint to Anchor with 1 1/2" Round Head Screw and Flat Washer.



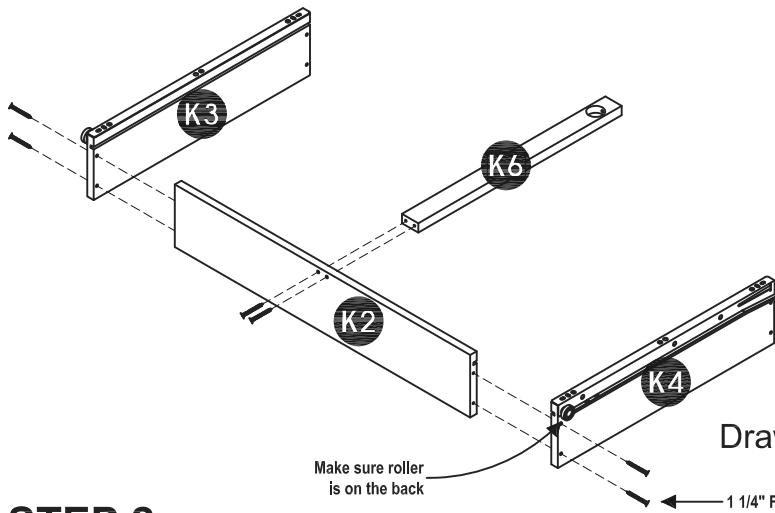
- Move unit back into place.
- Insert Tipover Restraint into unit through hole in Top (A).



- Screw Tipover Restraint to unit with 1/2" Round Head Screw and Flat Washer.
- Slide Drawers (K,L) back into place.



# Drawer (K)



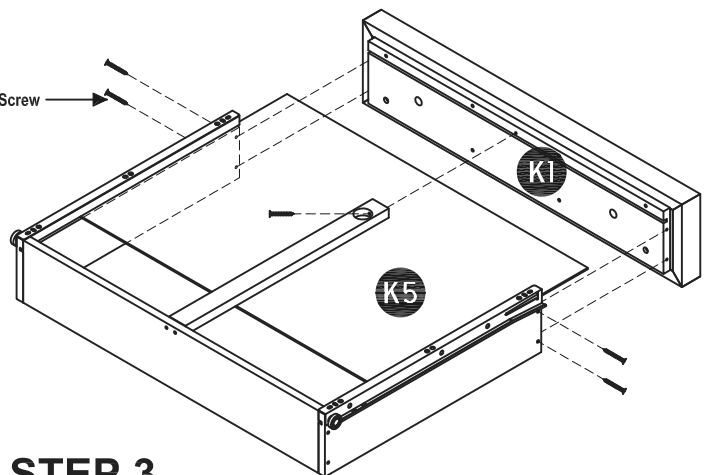
## STEP 1

Attach Drawer Sides (K3) and (K4) and Drawer Support (K6) to Drawer Back (K2) with 1 1/4" Flat Head Screws.

## STEP 2

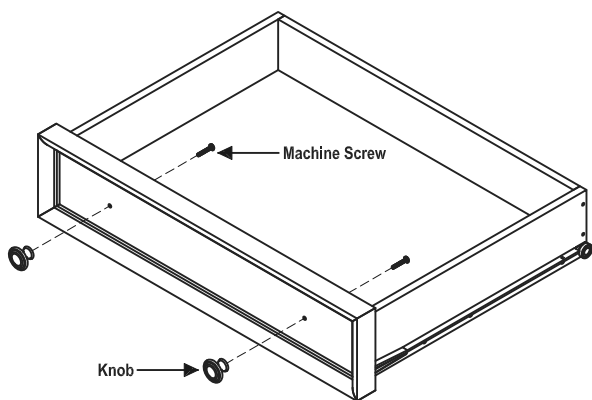
Insert Drawer Bottom (K5) into the groove.

Attach Drawer Front (K1) to unit with 1 1/4" Flat Head Screws.



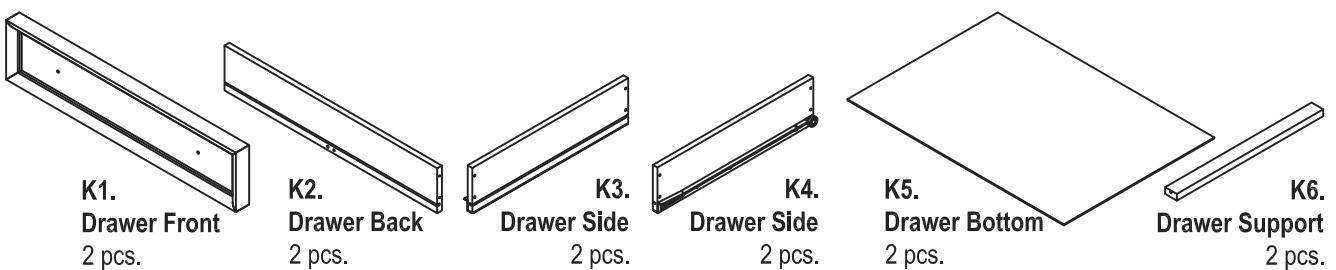
## STEP 3

Attach Knobs with Machine Screws.

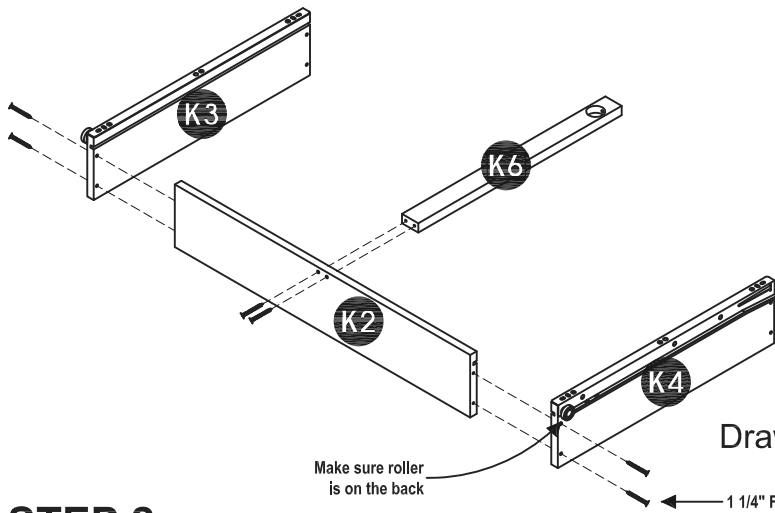


Note: Drawer assembly is not complete until 3/4" Flat Head Screws are used in a later step.

## Part List



# Drawer (L)



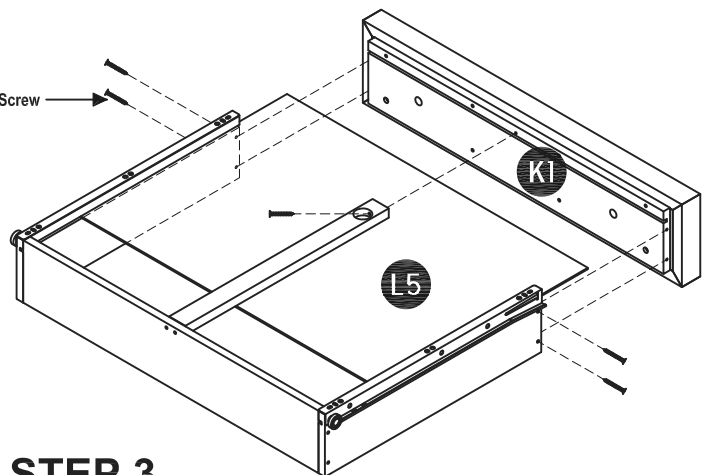
## STEP 1

Attach Drawer Sides (K3) and (K4) and Drawer Support (K6) to Drawer Back (K2) with 1 1/4" Flat Head Screws.

## STEP 2

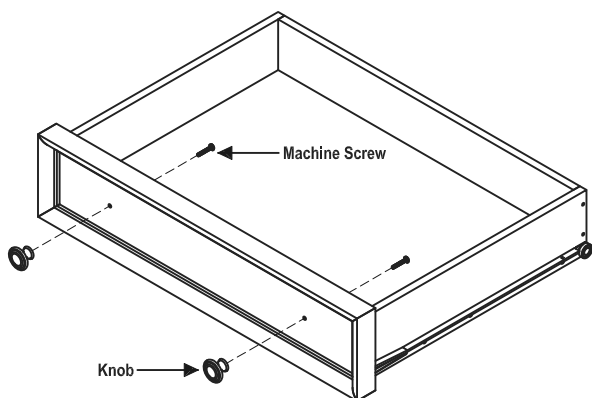
Insert Drawer Bottom (L5) into the groove.

Attach Drawer Front (K1) to unit with 1 1/4" Flat Head Screws.



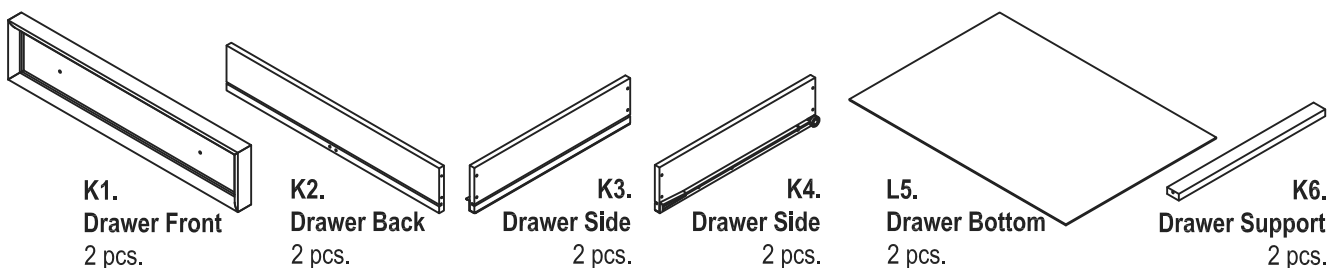
## STEP 3

Attach Knobs with Machine Screws.

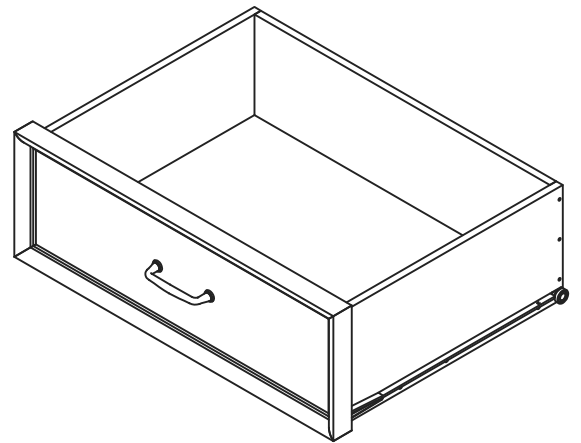
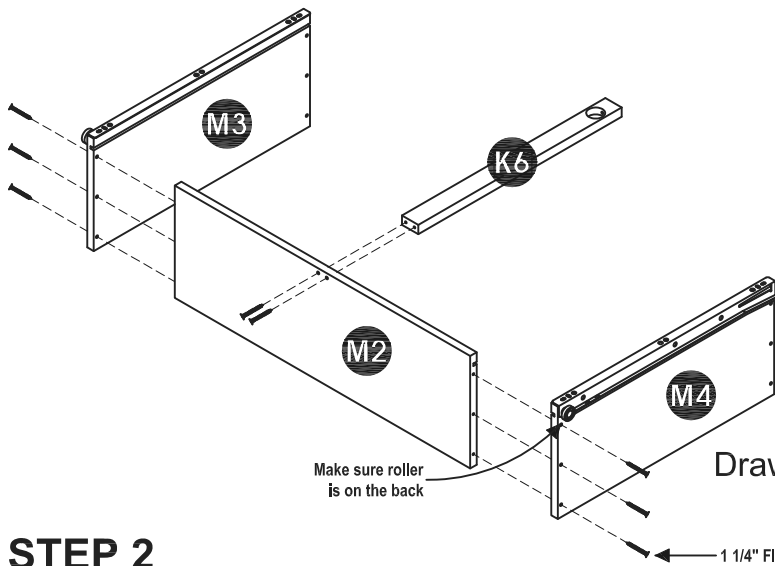


Note: Drawer assembly is not complete until 3/4" Flat Head Screws are used in a later step.

## Part List



# Drawer (M)



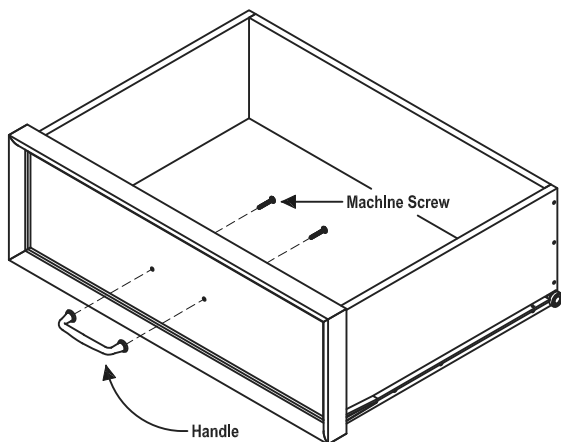
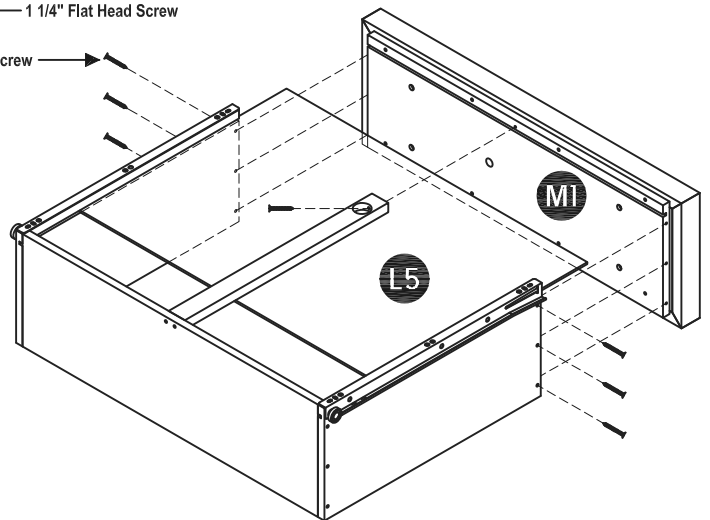
## STEP 1

Attach Drawer Sides (M3) and (M4) and Drawer Support (K6) to Drawer Back (M2) with 1 1/4" Flat Head Screws.

## STEP 2

Insert Drawer Bottom (L5) into the groove.

Attach Drawer Front (M1) to unit with 1 1/4" Flat Head Screws.

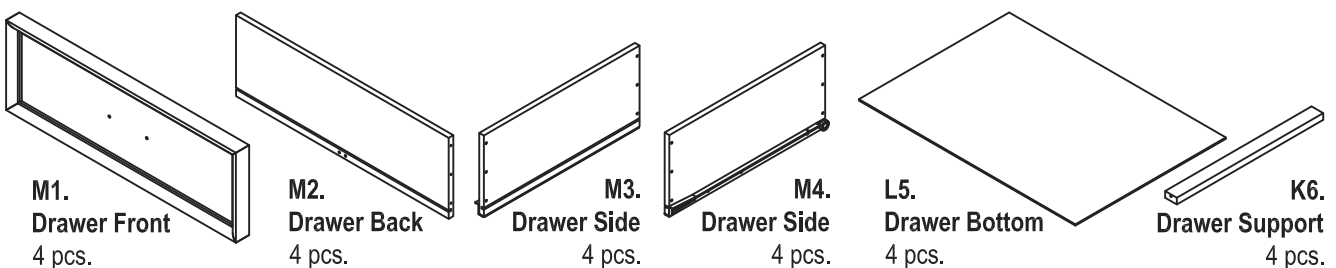


## STEP 3

Attach Handle with Machine Screws.

Note: Drawer assembly is not complete until 3/4" Flat Head Screws are used in a later step.

## Part List



# VERY IMPORTANT !!

## CARE INSTRUCTIONS

### NEVER

USE GLASS CLEANERS ON FINISHED FURNITURE. AMMONIA WILL CHEMICALLY ATTACK THE FINISH.

### NEVER

ALLOW LIQUIDS OF ANY KIND TO REMAIN ON THE FURNITURE. ABSORPTION CAUSES PART TO WARP AND SPLIT AND FINISHES TO DELAMINATE.

DO NOT WRITE DIRECTLY ON SURFACE.



**PREVENT MARKING**

DO NOT PLACE IN DIRECT SUNLIGHT.



**PREVENT FADING**

DO NOT USE COMMERCIAL WAXES AND POLISHES.



**PREVENT YELLOWING**

DO NOT PLACE HOT OBJECTS ON SURFACE.



**PREVENT FINISH DAMAGE**

DO NOT USE RUBBER BASED PLACE MATS.



**PREVENT DISCOLORING**

## TO CLEAN

USE A SOFT CLOTH MOISTENED IN LUKEWARM SOAP AND WATER, THEN BUFF WITH A DRY CLEAN CLOTH.



Home Styles will provide replacements free of charge for missing or damaged hardware or parts within 30 days of purchase. Digital images of the defective parts may be required. If this product was not purchased from an authorized retail affiliate, Home Styles is under no obligation to provide replacement parts. Parts are not available for fully assembled items nor are parts available for sale. Replacements for missing or damaged hardware or parts may be requested at:

[www.homestyles-furniture.com/customer\\_service](http://www.homestyles-furniture.com/customer_service)

**Home Styles Consumer Assistance:** [www.homestyles-furniture.com](http://www.homestyles-furniture.com),  
[servicedesk@homestyles-furniture.com](mailto:servicedesk@homestyles-furniture.com), 888-680-7460, 877-831-0319