








ASSEMBLY INSTRUCTION

ITEM: 628-85618-95 Tercia Three-Drawer Chest

Thank you for purchasing this quality product. Be sure to unpack carefully looking for small parts which may have come loose during shipment.

Read all instruction and study the drawing carefully before starting the assembly process.

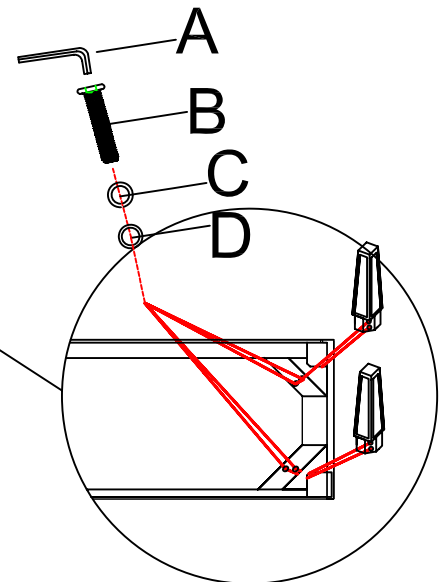
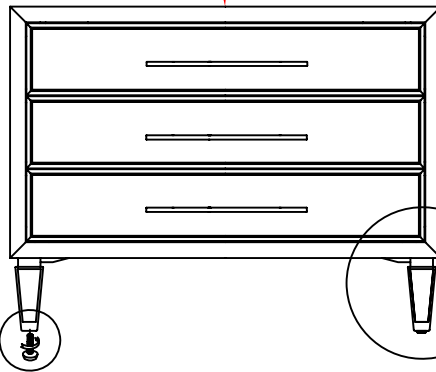
HARDWARE PACK					PARTS LIST			
NO.	DRAWING	DESCRIPTION	SIZE	Q'TY	NO.	DRAWING	DESCRIPTION	Q'TY
A		Allen Wrench	73x29x5mm	1 PC	1		Case Body	1 PC
B		Bolt	5/16"	8 PCS				
C		Lock Washer	5/16"	8 PCS	2		Leg	4 PCS
D		Flat Washer	5/16"	8 PCS				
E		Anti - Tip Kit		1 PC				

Please follow numbers on legs and corner blocks when assembling legs to the drawer chest.

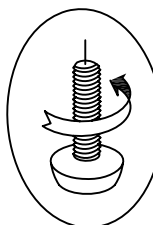
Tipping Restraint



Anti-tip kit is included for use. We recommend installing for safety reason.



STEP 1



STEP 2

Adjust leveler if needed to level drawer chest on uneven floor.

Note: Anti-tip kit restraint is provided. Please follow the instructions enclosed with the pack.