

Item: 5889-80113-00

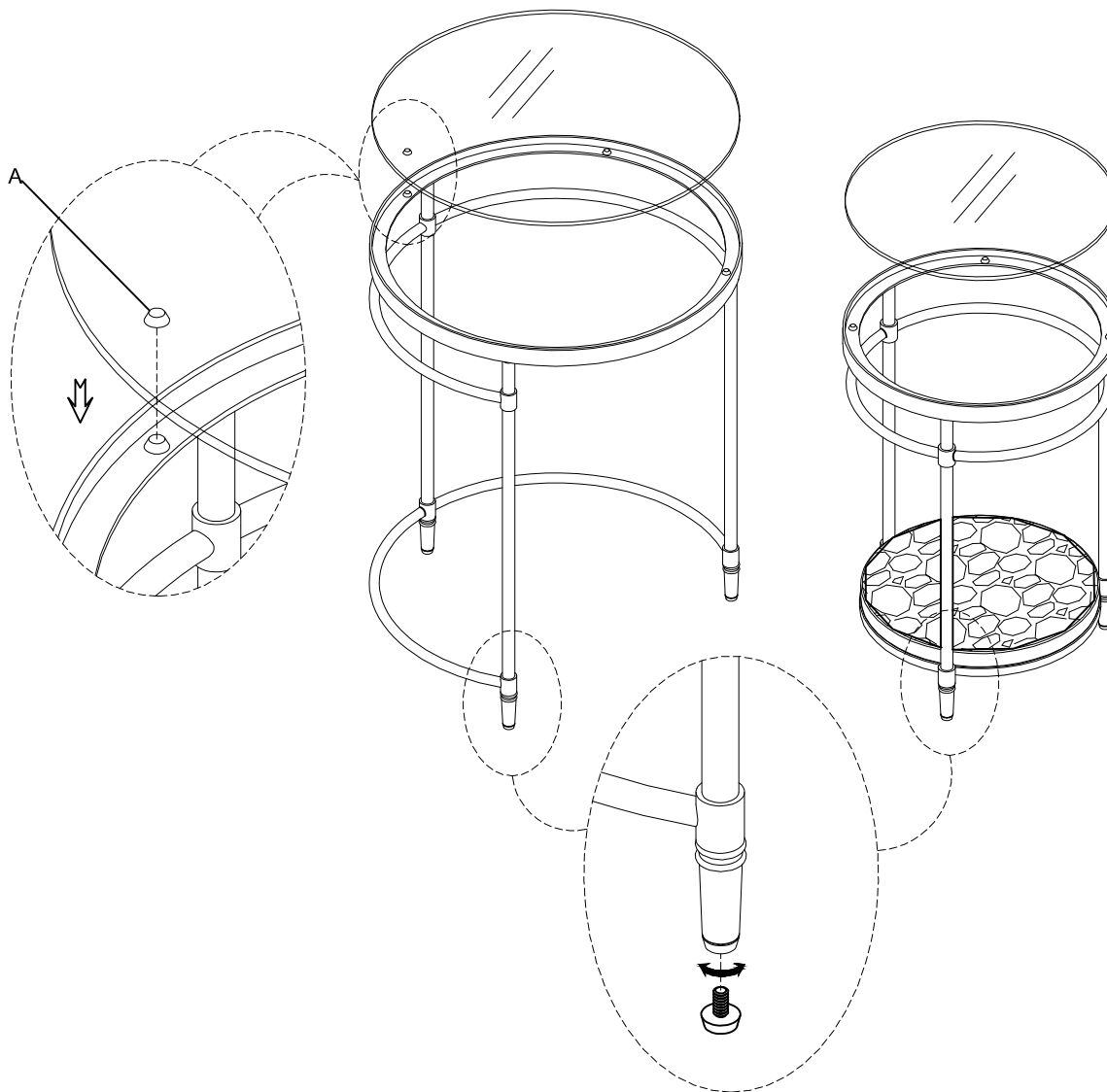
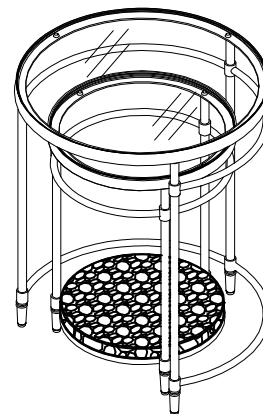
Decs: NESTING TABLE

Thank you for purchasing this quality product. Be sure to unpack carefully looking for small parts which may have come loose during shipment.

Read all instruction and study the drawing carefully before starting the assembly process:

HARDWARE PACK

NO	DRAWING	DESCRIPTION	SIZE	Q'TY
A		Glass Pad	Ø12*4mm	8pcs



Adjust leveler if needed to level case on uneven floor