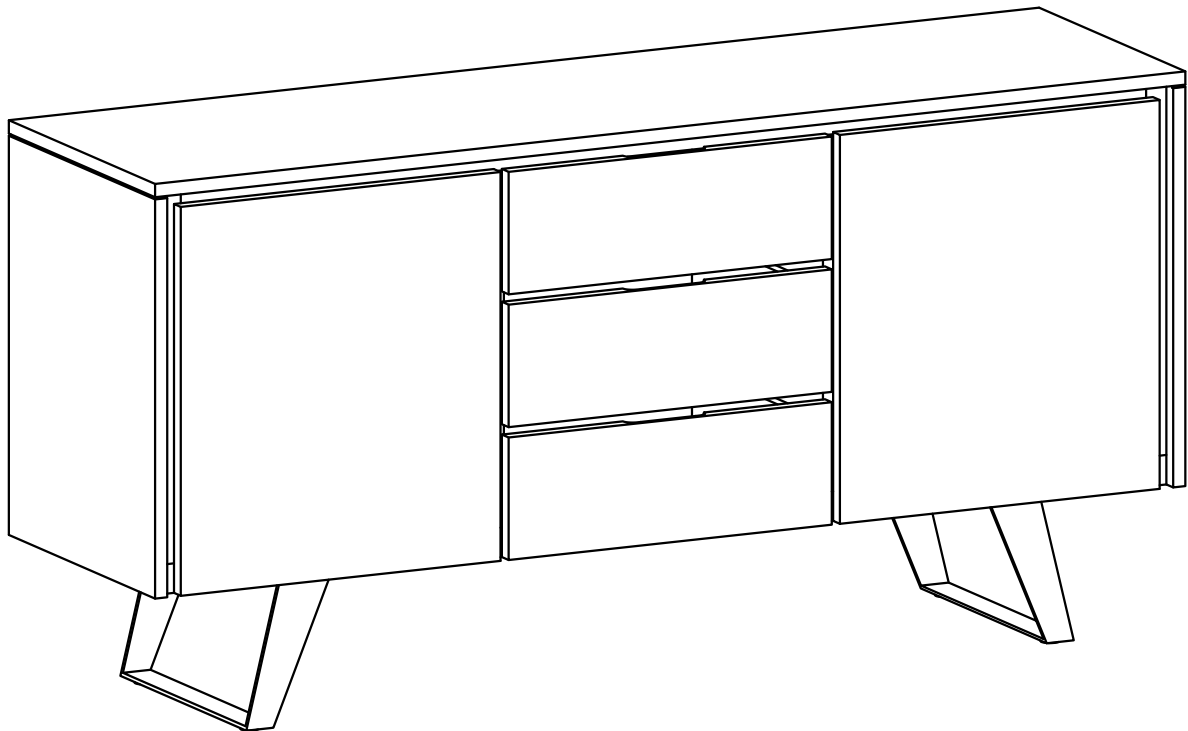


SIMPLIHOME®

Lowry / Mitchell / Fulton

Sideboard Buffet

Model # AXCLRY-10-OAK



SIMPLIHOME

Great quality is a right.

Thank you for shopping with Simpli Home,
America's top brand for high-value furniture.



It's time to register your product warranty.

It's quick and easy. And you'll be happy you did.



- ✓ Activate your **1-year** warranty
- ✓ Automatic entry to win a **\$500** gift certificate
- ✓ Earn instant rewards and **save**



simpli-home.com/product-registration

SIMPLIHOME

Review your product and collect rewards!

Thank you for your purchase! We hope you enjoy it. We'd love your feedback. Please share a review and get instant rewards!



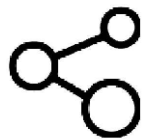
simpli-home.com/product-review



Share photos and get your cash back!



Send us images or share them on social and qualify for instant rewards. You may even receive store credit on your entire purchase!



simpli-home.com/share-images

SIMPLIHOME®

For Fastest Customer Service:



1. Open your phone's camera.
2. Point your phone's camera at the QR code to scan.
3. Click on the pop up.
4. You'll be taken to our customer service page.
5. Fill the form with your order information and issue.
6. Submit form.
7. A customer service associate will contact you.

Other ways to contact us...



Email Us

customerservice@simpli-home.com



Visit Us

Visit our site directly at
www.simpli-home.com



Call Us

1-866-518-0120
Monday to Friday
9am to 5pm EST

***If you've purchased from a retailer and you wish to return the product, please contact the retailer directly.**

IMPORTANT : Please read this manual carefully before beginning assembly of this product. Keep this manual for future reference.

Safety Information

CAUTION: Injuries and damage can occur from furniture tip over if product is not properly anchored to the wall. Use the Furniture Anti-Tipping Restraint provided with the product. Consult our assembly instructions for help.

If the Furniture Anti-Tipping Restraint kit is not in the box, please contact our customer service department in order to obtain another kit before using the furniture.

Identify all the parts and hardware. Do not discard of the packaging until you have checked that you have all of the parts and hardware required. Hardware package may have spare parts.

WARNING: This item contains small parts which can be swallowed by children and pets. Keep children and pets away during assembly. To avoid danger of suffocation, always keep plastic bags away from children and pets. We recommend that you assemble this unit on a carpeted floor to avoid scratches. If using power tools, set the tool to low torque to avoid damage.

May require 2 people for ease of assembly.

Care & Maintenance

This furniture is designed for indoor use.

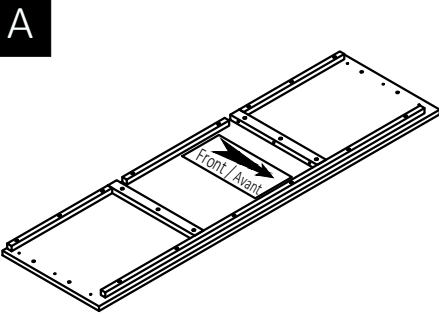
Damage to furniture can come from temperature changes in relative humidity (RH) in our homes. Humid air oxidizes metal which results in rusting, corrosion, tarnishing and roughness. Wood absorbs water as relative humidity rises and falls, and in doing so it swells and shrinks.

To protect against the humidity effect, the metal is powder coated. The powder coat layer protects the metal from oxidizing, corrosion, tarnishing and scratching and keeps it looking good for years to come. The wood is sealed and lacquered to protect against humidity.

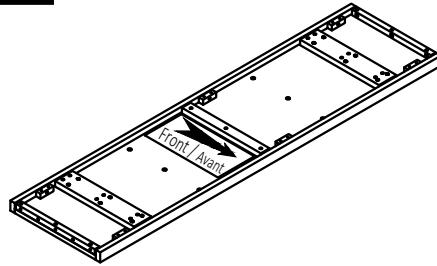
To help protect your furniture, follow these steps:

- Use a humidifier, preferably one with an automatic control system that can sense the humidity level and adjust itself accordingly
- Dust with soft dry cloth
- Wipe up spills promptly
- Clean with a dry cloth
- Do not use abrasive cleaners, chemical solvents, strong detergents, cleaners with bleach, and furniture polish
- Use soft felt base coasters, placemats to help prevent scratches
- Keep furniture out of direct sunlight, which can cause cracking or roughness on the protective layer
- If it can be avoided, do not put furniture near heating vents
- Keep the furniture 3 to 4 inches away from the wall, giving heat and air space to circulate.

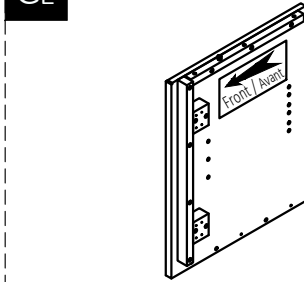
Part Description



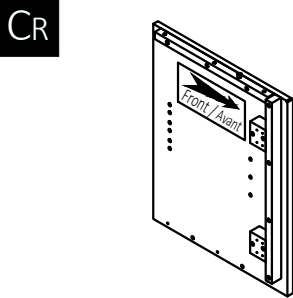
TOP
QTY 1



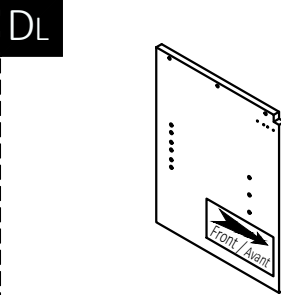
BOTTOM SHELF
QTY 1



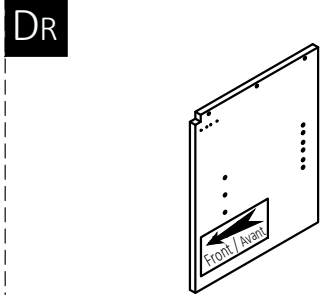
LEFT SIDE
QTY 1



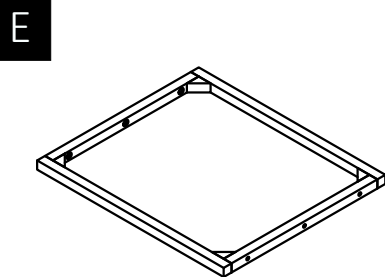
RIGHT SIDE
QTY 1



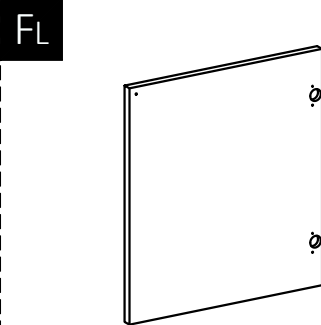
LEFT DIVIDER
QTY 1



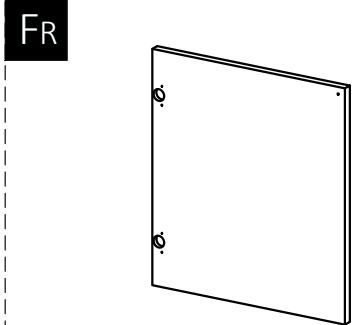
RIGHT DIVIDER
QTY 1



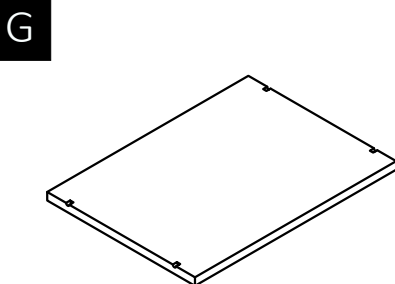
MIDDLE FRAME
QTY 2



LEFT DOOR
QTY 1



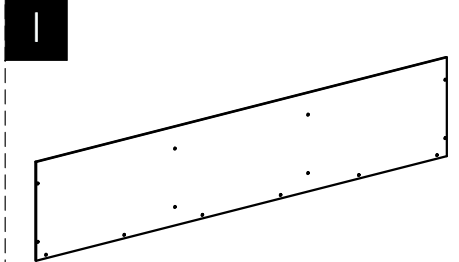
RIGHT DOOR
QTY 1



SHELF
QTY 2



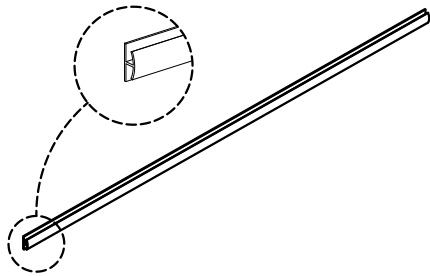
TOP BACK PANEL
QTY 1



BOTTOM BACK PANEL
QTY 1

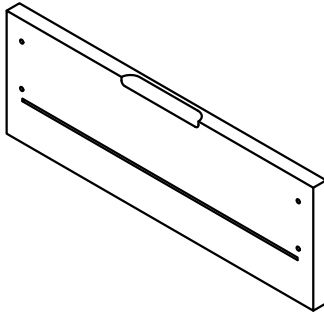
Part Description

J



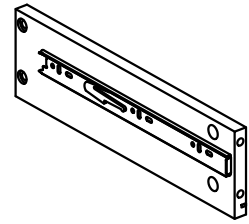
JOINING STRIP
QTY 1

K



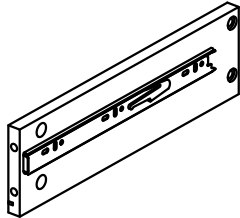
DRAWER FRONT
QTY 3

LL



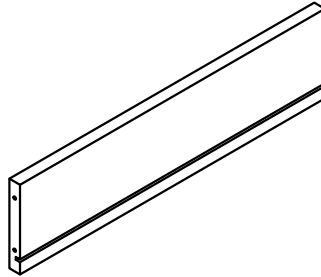
LEFT DRAWER SIDE
QTY 3

LR



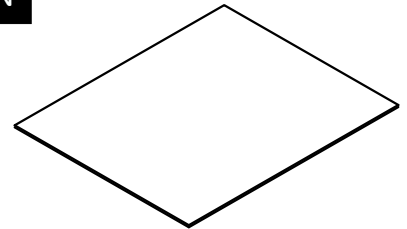
RIGHT DRAWER SIDE
QTY 3

M



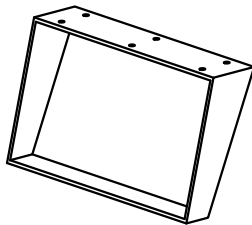
DRAWER BACK
QTY 3

N



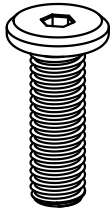
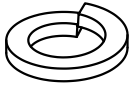
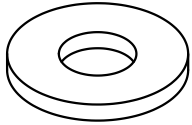
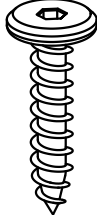
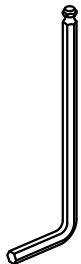
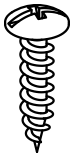
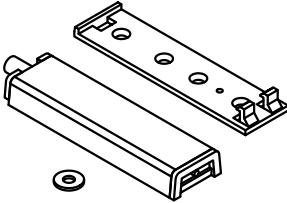
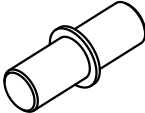
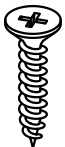
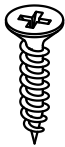
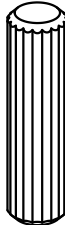
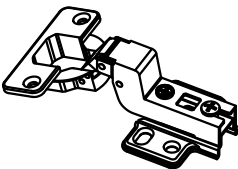
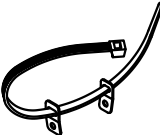



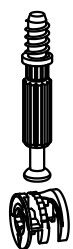
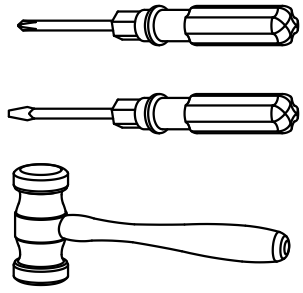
DRAWER BOTTOM
QTY 3

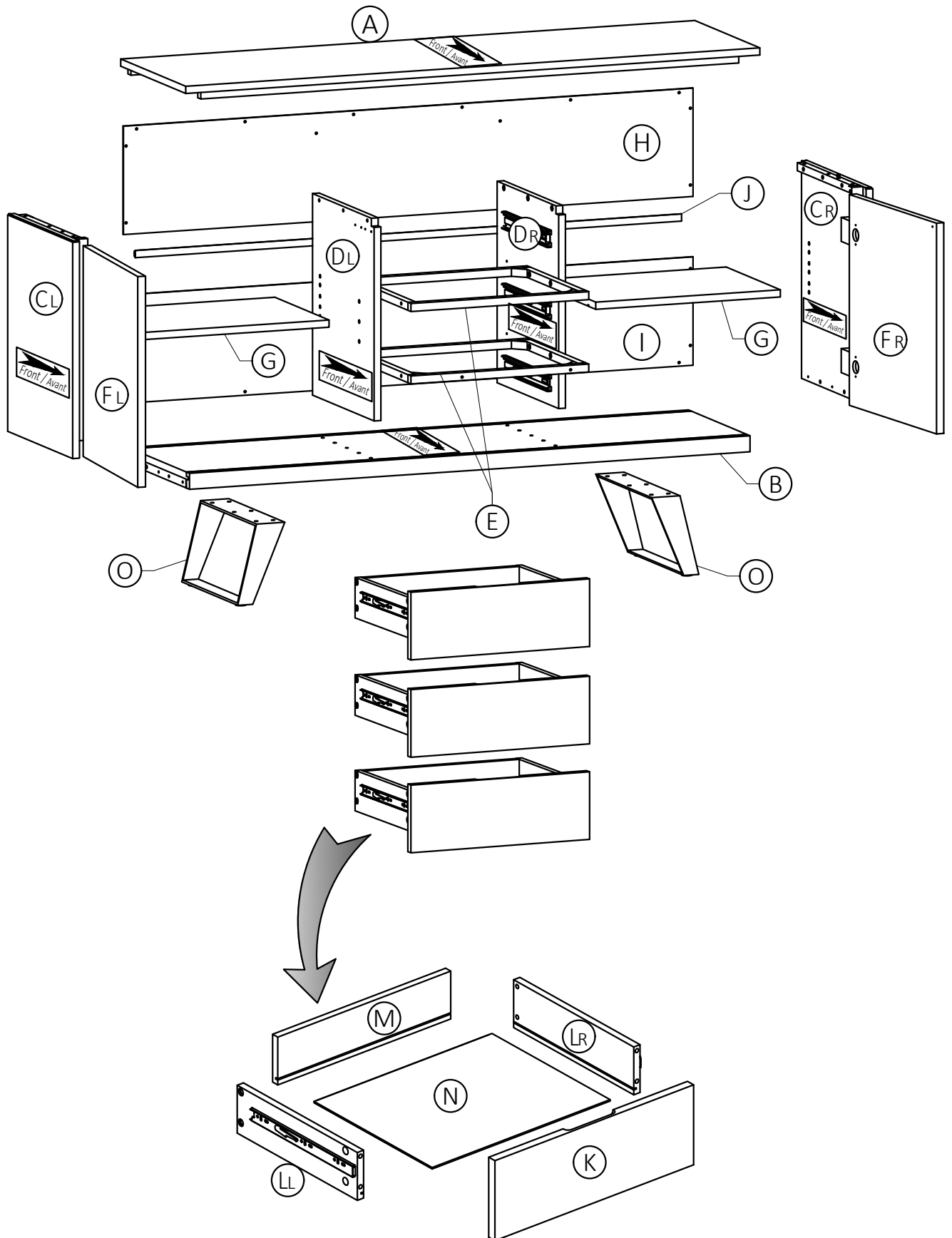
O



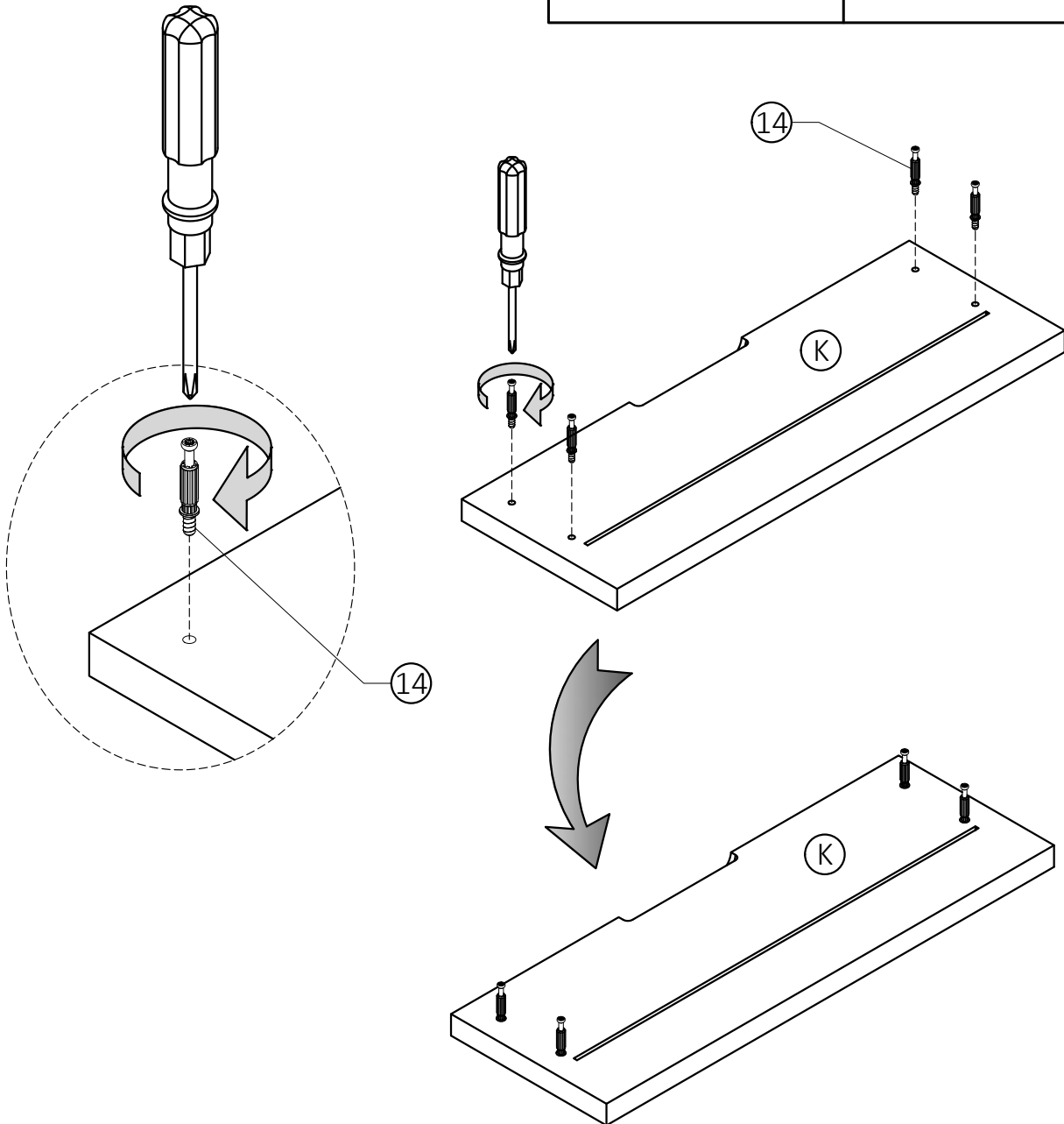
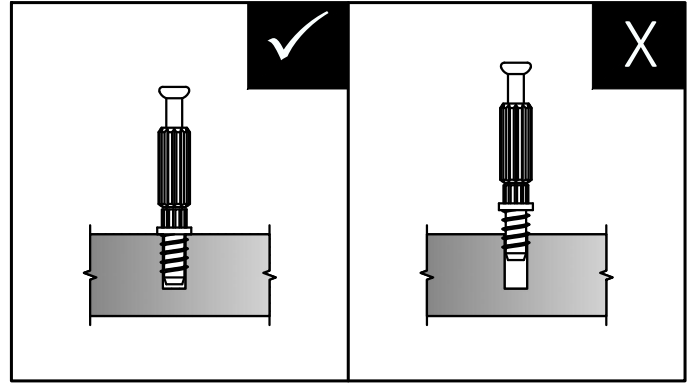
LEG
QTY 2

Hardware Description

<p>1</p>  <p>ALLEN KEY BOLT M8 x 20 mm QTY 12</p>	<p>2</p>  <p>LOCK WASHER Ø12 / Ø8 x 1.5 mm QTY 12</p>	<p>3</p>  <p>WASHER Ø19 / Ø8 x 1 mm QTY 12</p>	<p>4</p>  <p>ALLEN KEY SCREW M6 X 30mm QTY 48</p>
<p>5</p>  <p>ALLEN KEY QTY 1</p>	<p>6</p>  <p>PHILLIPS SCREW ROUND HEAD M4 X 15mm QTY 28</p>	<p>7</p>  <p>MAGNET AND PLATE QTY 2 SETS</p>	<p>8</p>  <p>SHELF SUPPORT QTY 12</p>
<p>9</p>  <p>PHILLIPS SCREW M3 X 15mm QTY 10</p>	<p>10</p>  <p>PHILLIPS SCREW M4 X 15mm QTY 24</p>	<p>11</p>  <p>WOOD DOWEL Ø8 X 30mm QTY 8</p>	<p>12</p>  <p>ADJUSTABLE HINGE Ø35 QTY 4 SETS</p>
<p>13</p>  <p>a.  M4X25mm-QTY2 (1 is extra) b.  M4X15mm-QTY1 c.  M4X25mm-QTY1 FURNITURE TIP OVER RESTRAINT QTY 1 SET</p>	<p>14</p>  <p>CAM LOCK PIN CAM LOCK QTY 12 SETS</p>	 <p>Required - Flathead screwdriver Phillips screwdriver Rubber mallet Not Included</p>	

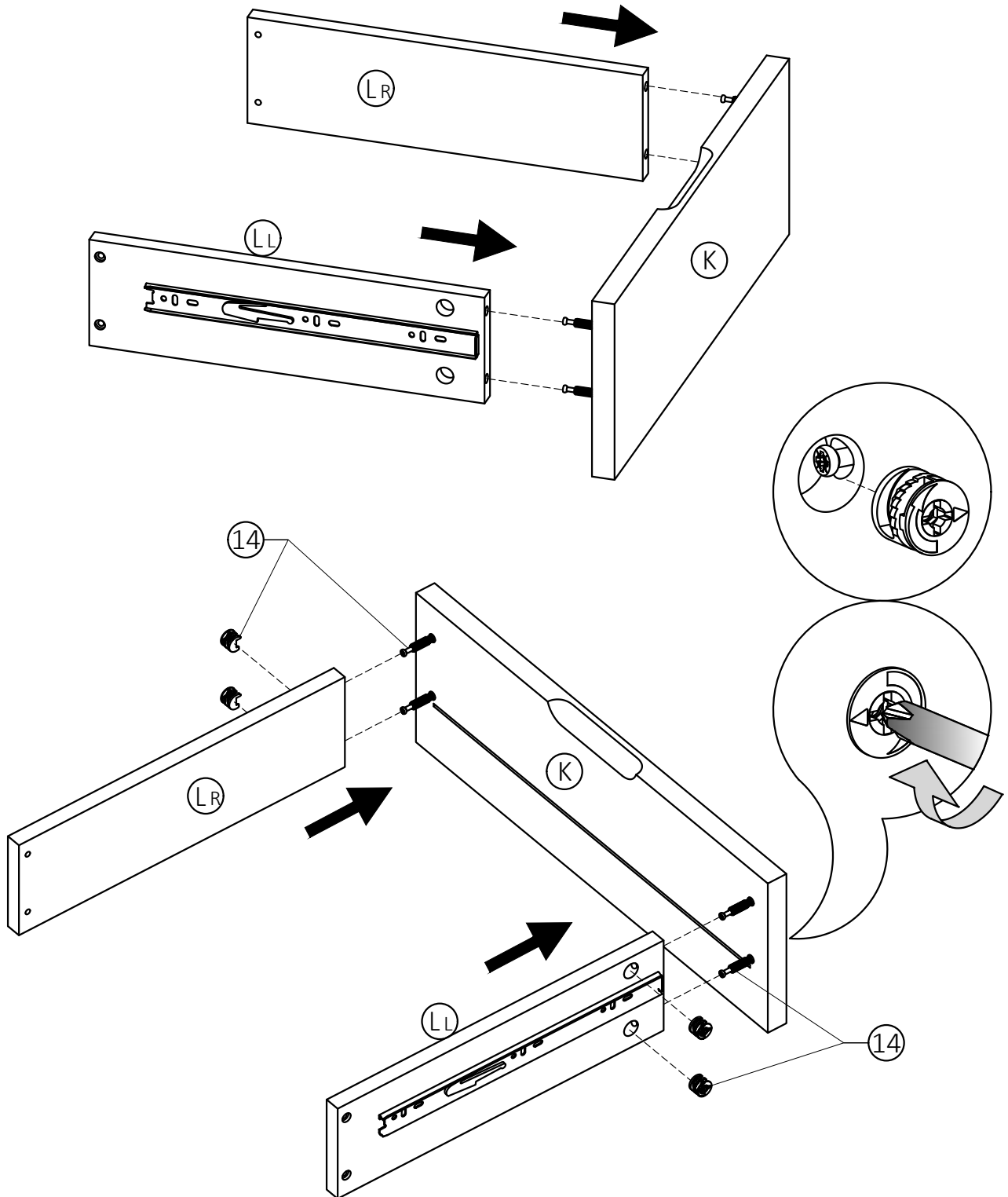


Step 1



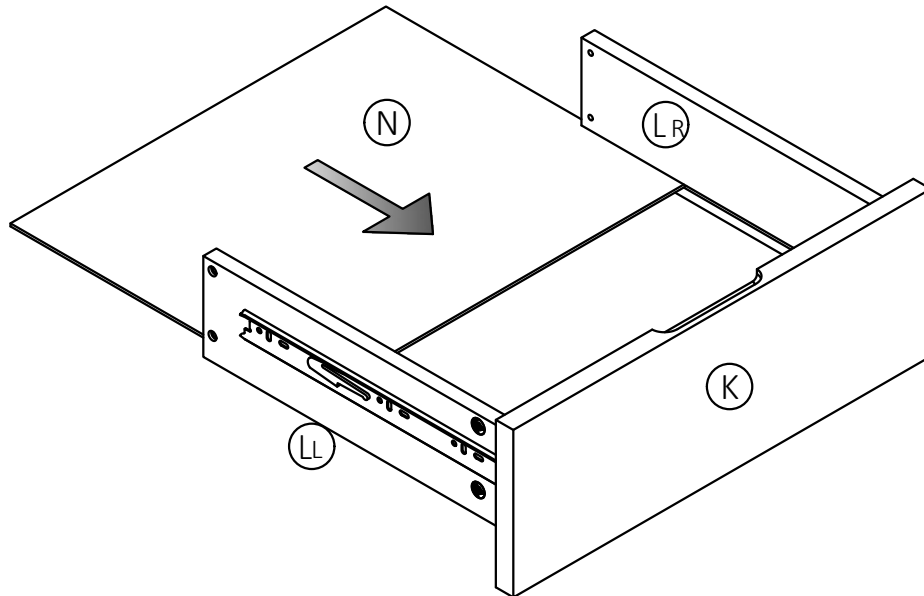
1. Attach four Cam Lock Pins (14) to pre-drilled holes at back of Drawer Front (K).
2. Use Phillips screwdriver secure Cam Lock Pins.

Step 2



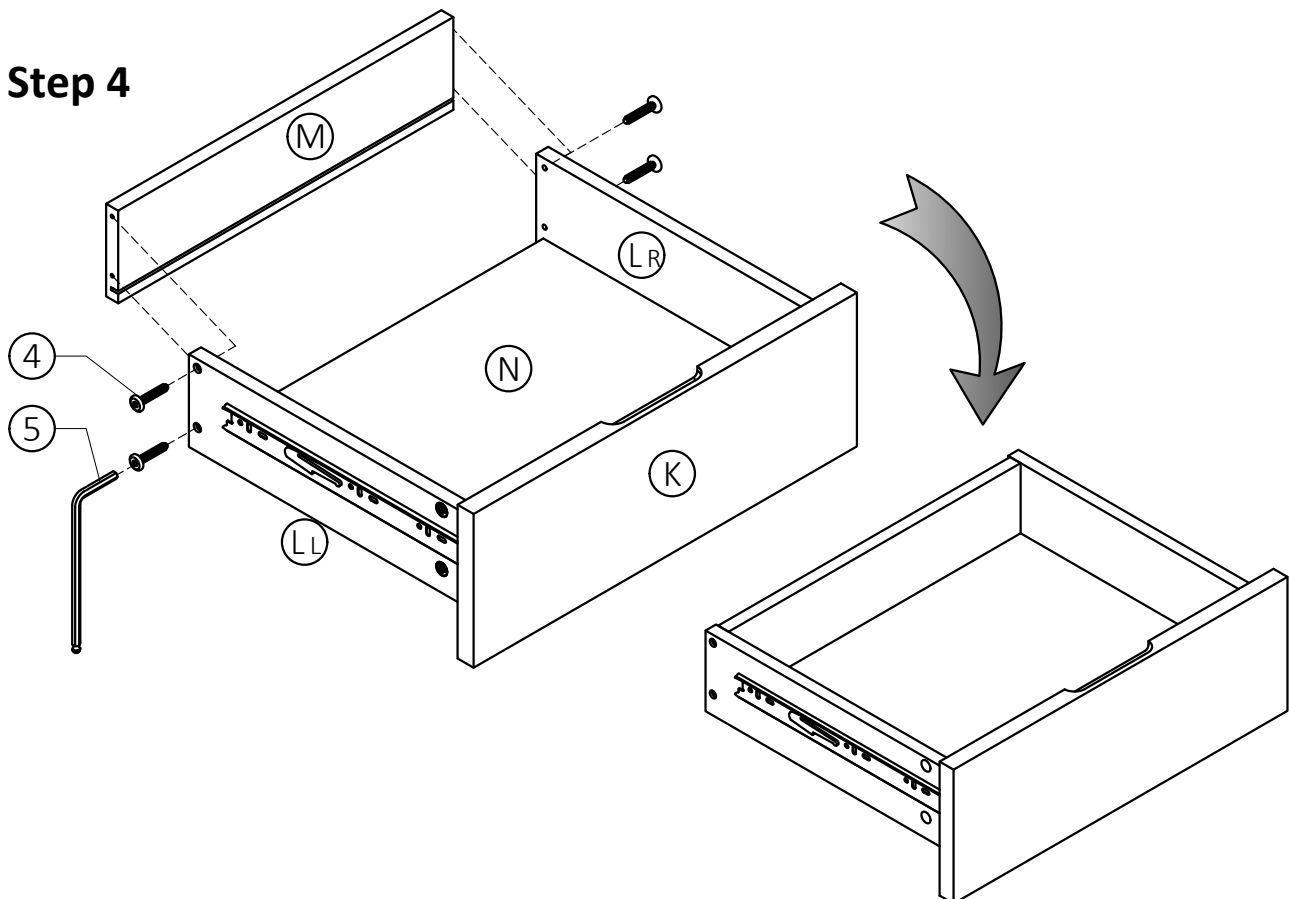
1. Align Cam Lock Pins with drilled holes and attach Drawer Sides (LL), (LR).
2. Insert two Cam Locks (14) into drilled holes on each Drawer Side (LL), (LR).
3. Use Phillips screwdriver secure Cam Locks.

Step 3



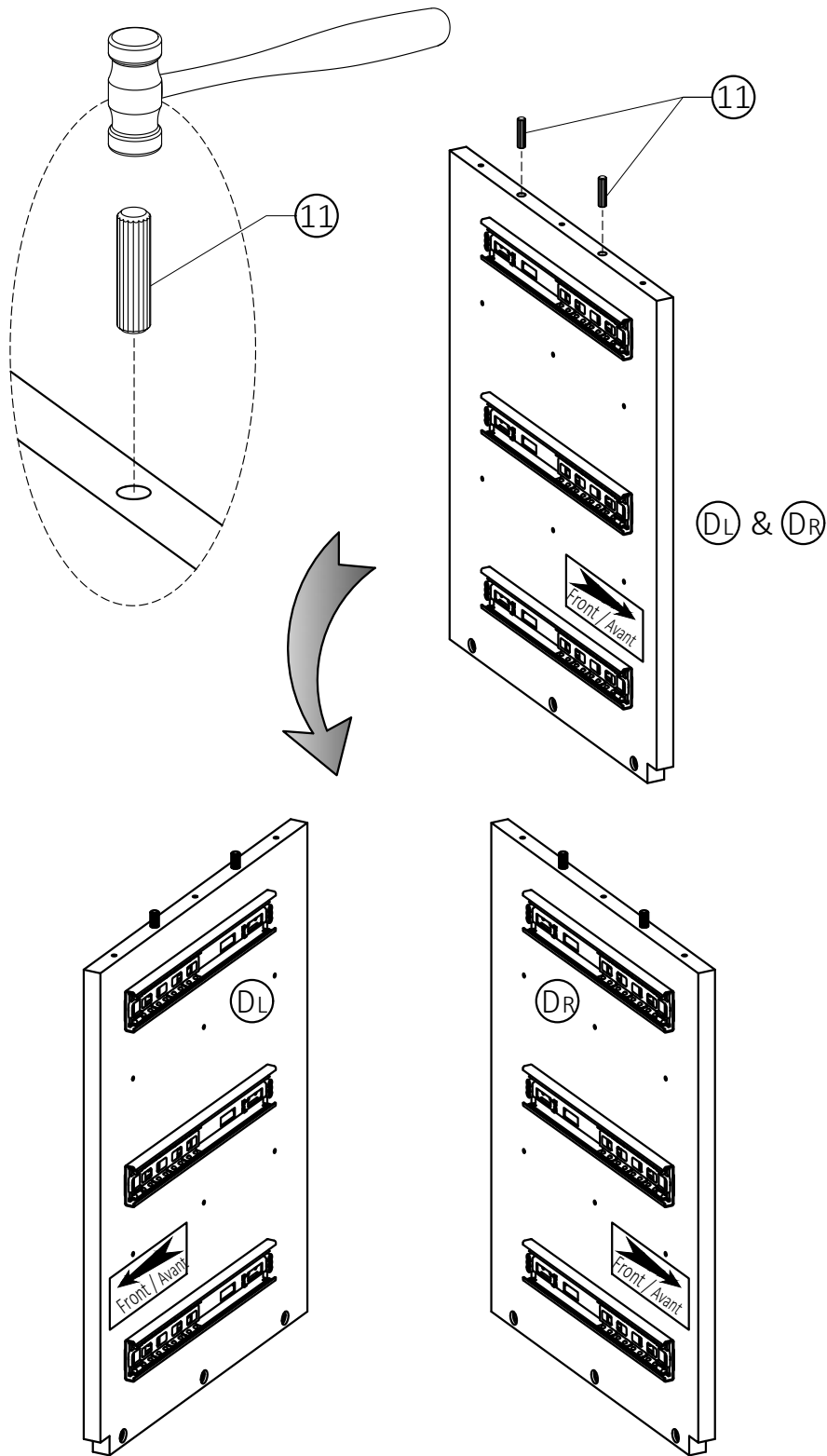
1. Slide Drawer Bottom (N) firmly into slots on Drawer Sides (LL, LR) and Drawer Front (K)

Step 4



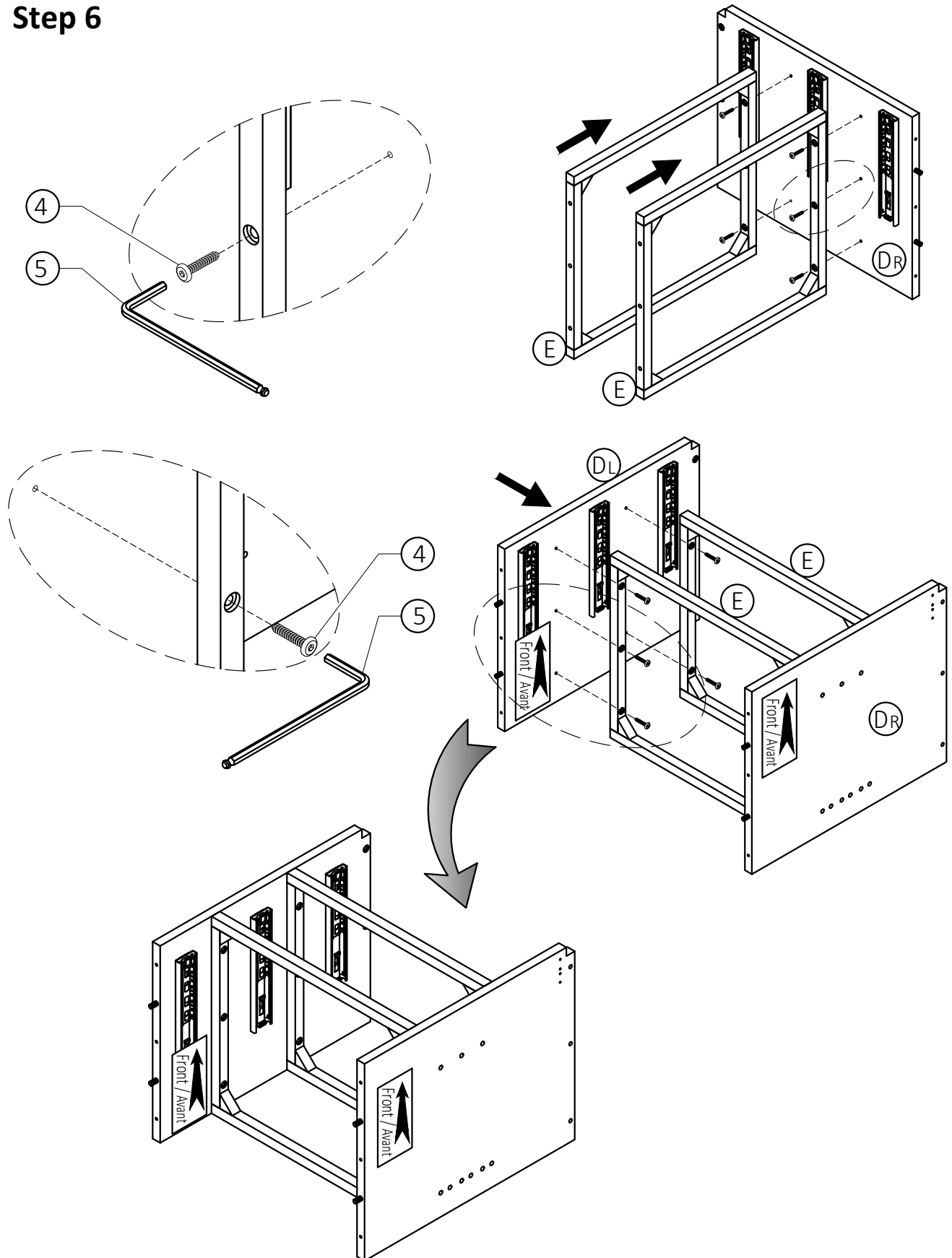
1. Align Drawer Back (M) with Drawer Bottom (N) and press firmly into slot .
2. Attach Drawer Back using two Allen Key Screws (4) through drilled holes on each Side (LL, LR).
3. Use Allen Key (5) to tighten screws. Do not over-tighten.
4. Repeat Step 1-4 for the two other drawers.

Step 5



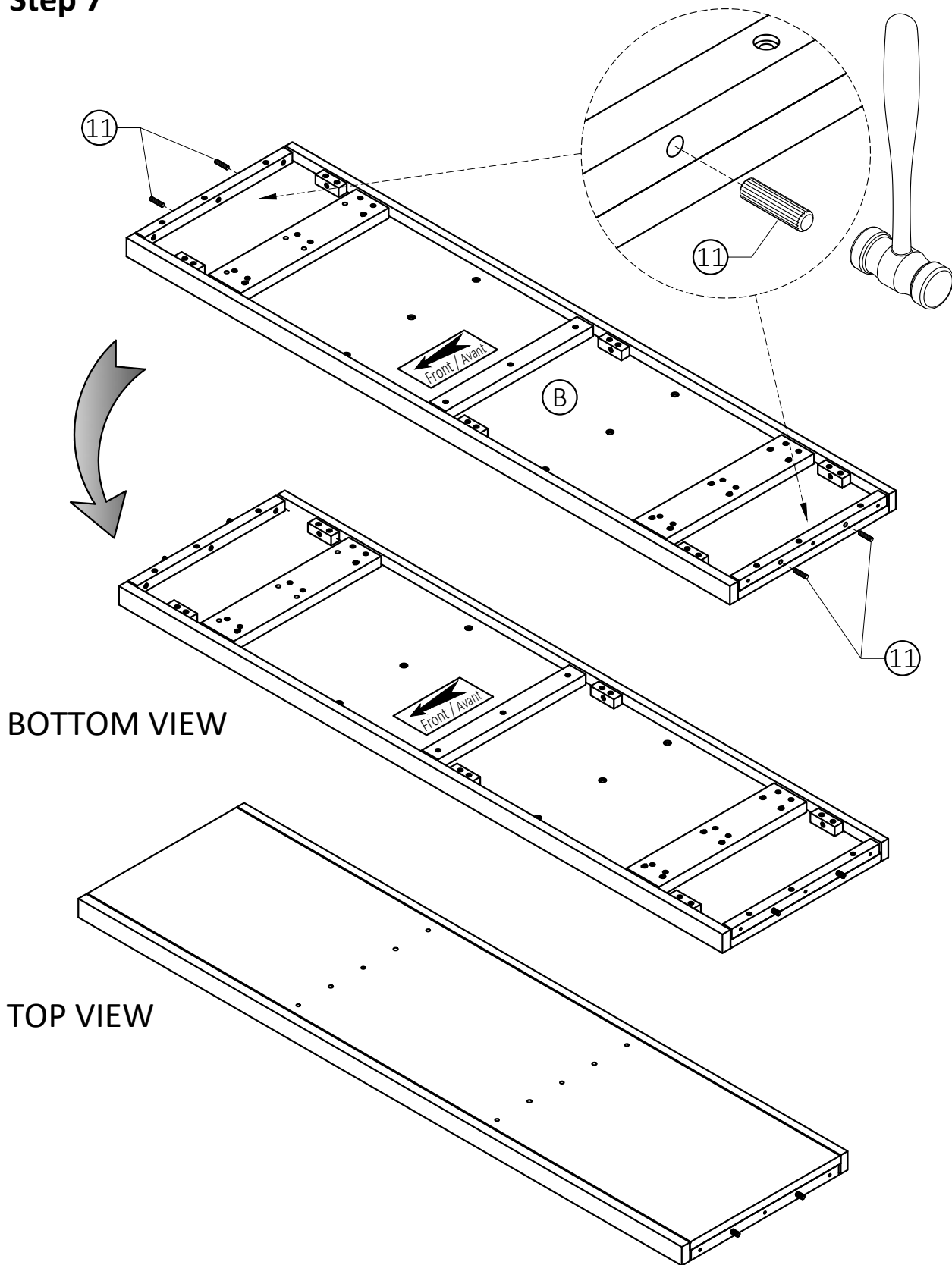
1. Insert two Dowels (11) into drilled holes on each Left Divider (DL) and Right Divider (DR).
2. Use rubber mallet to tap Dowels (11) into bottom of holes securely. 1/3 length of Dowels should be exposed.

Step 6



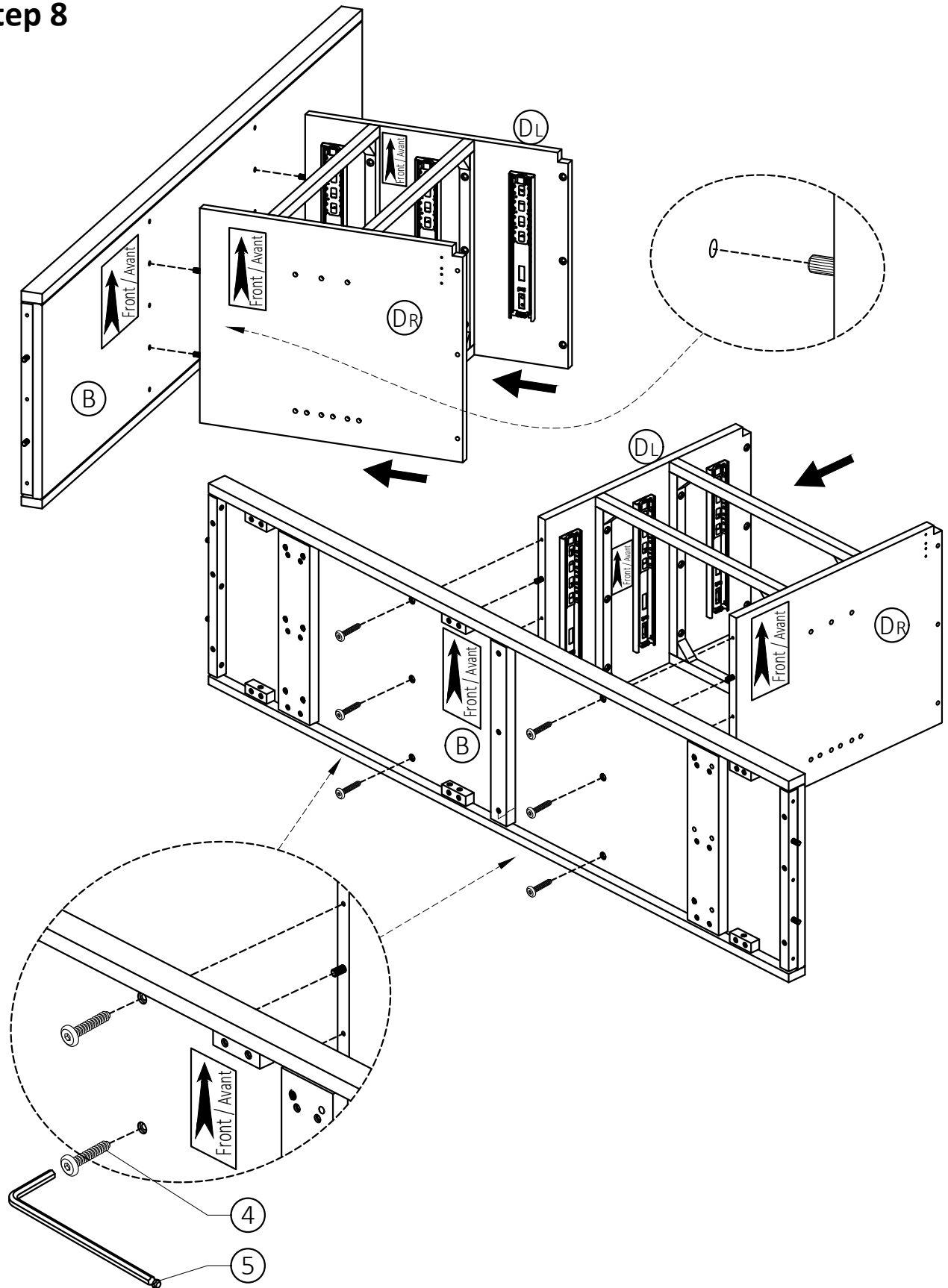
1. Attach Middle Frame (E) to Right Divider (DR) and Left Divider (DL) using twelve Allen Key Screws (4) (six Screws / each Divider).
2. Use Allen Key (5) to tighten screws. Do not over-tighten.

Step 7

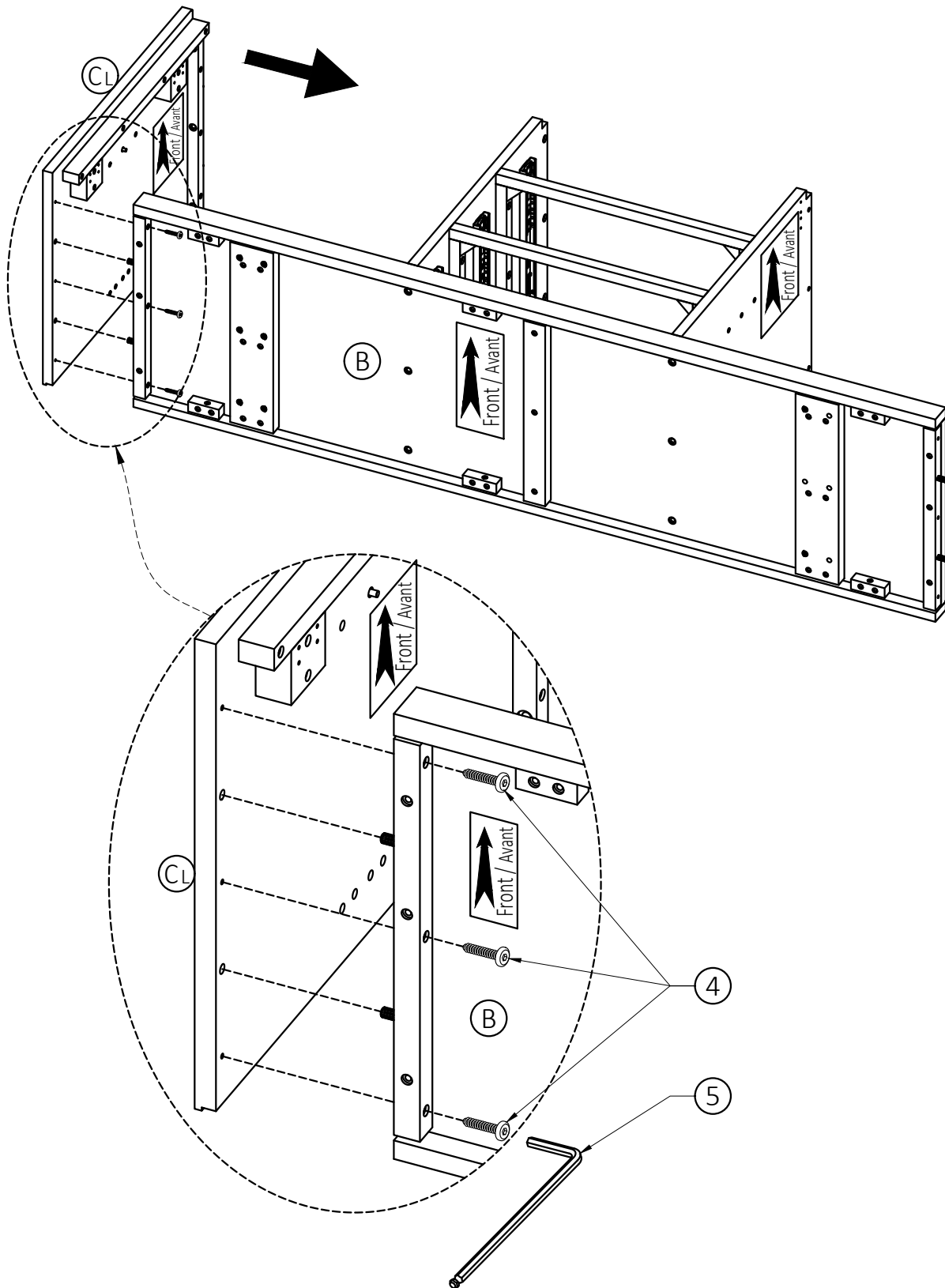


1. Insert four Dowels (11) into drilled holes on Bottom Shelf (B).
2. Use rubber mallet to tap Dowels (11) into bottom of holes securely. 1/3 length of Dowels should be exposed.

Step 8

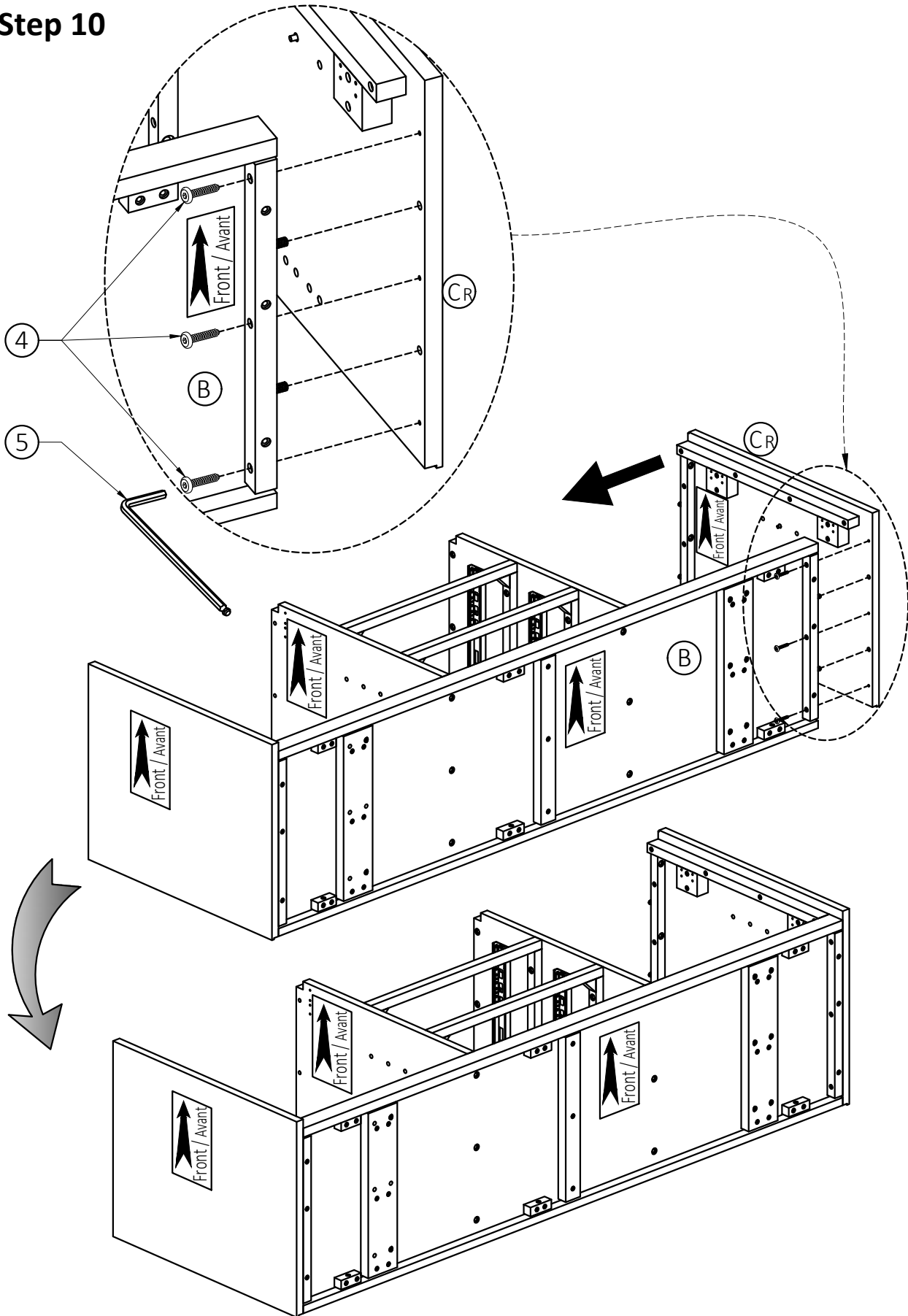


1. Attach Right Divider (DR) and Left Divider (DL) to Bottom Shelf (B) using six Allen Key Screws (4).
2. Use Allen Key (5) to tighten screws. Do not over-tighten.

Step 9

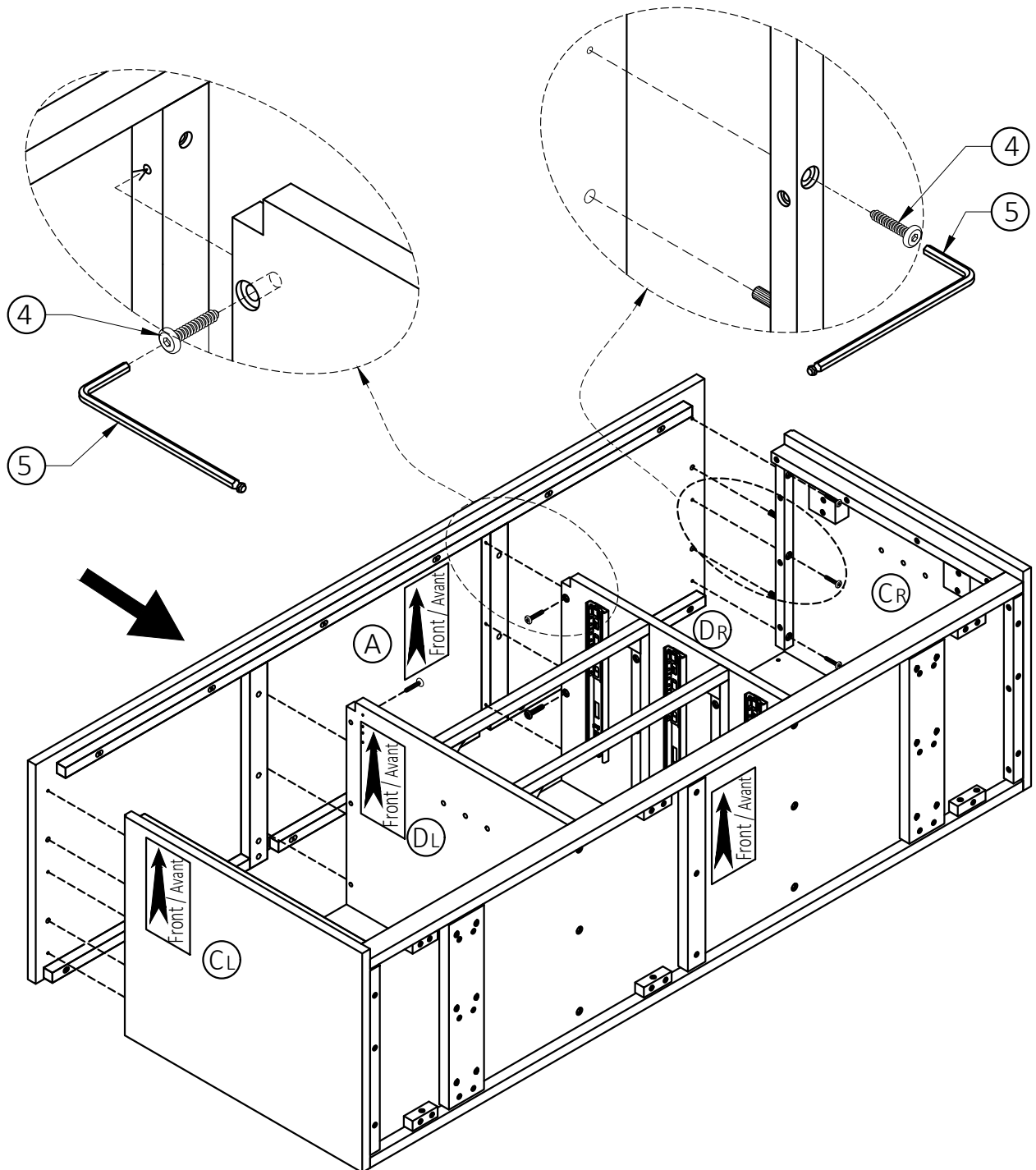
1. Attach Bottom Shelf (B) to Left Side (CL) using three Allen Key Screws (4).
2. Use Allen Key (5) to tighten screws. Do not over-tighten.

Step 10



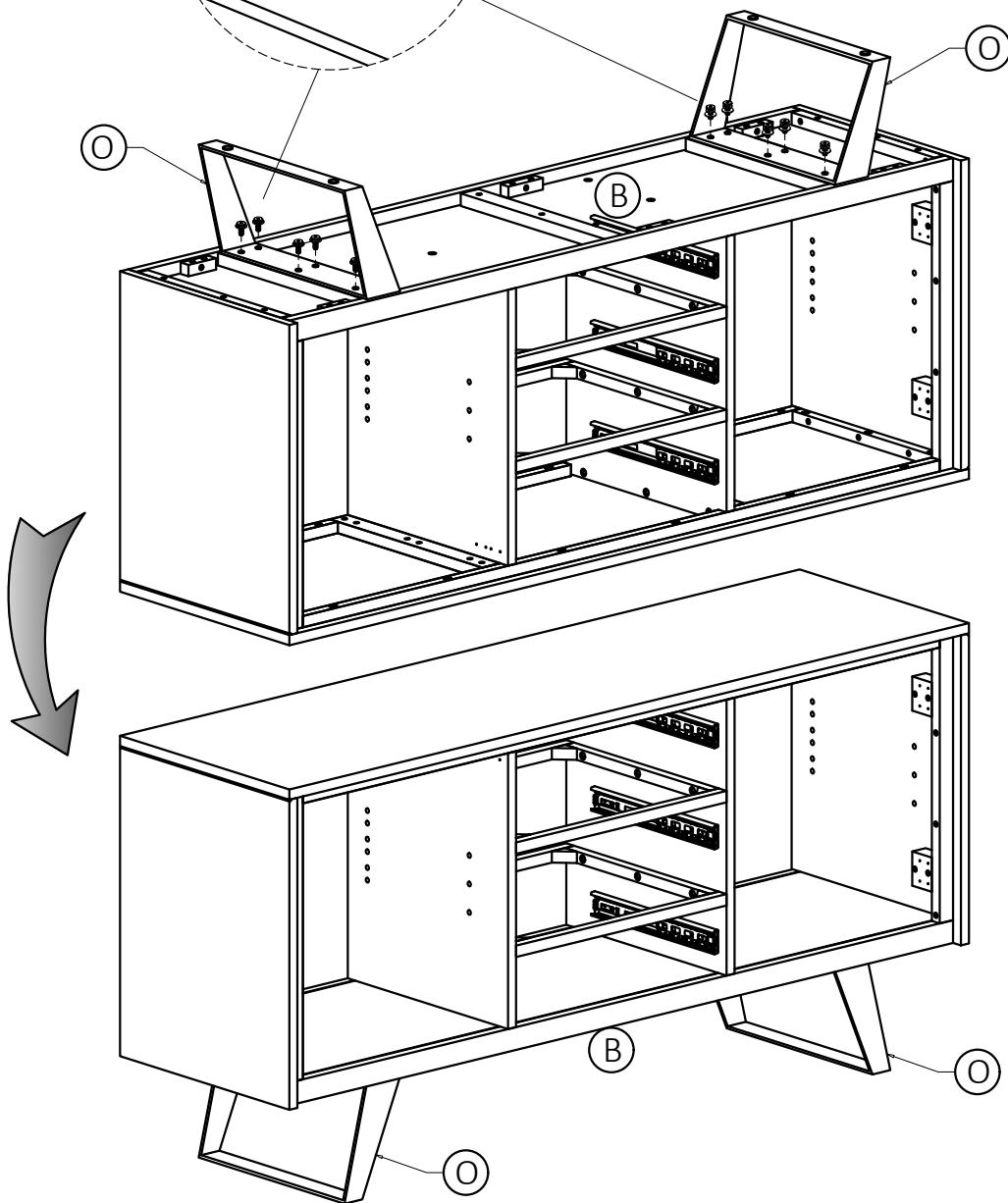
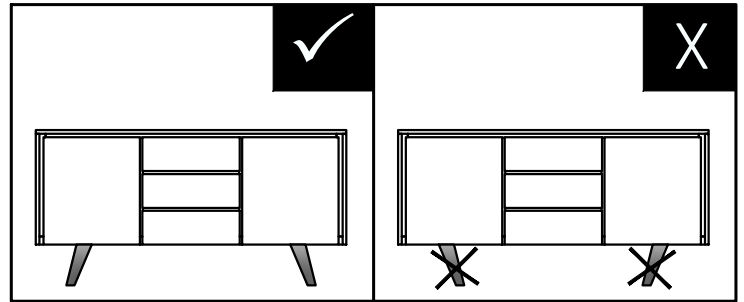
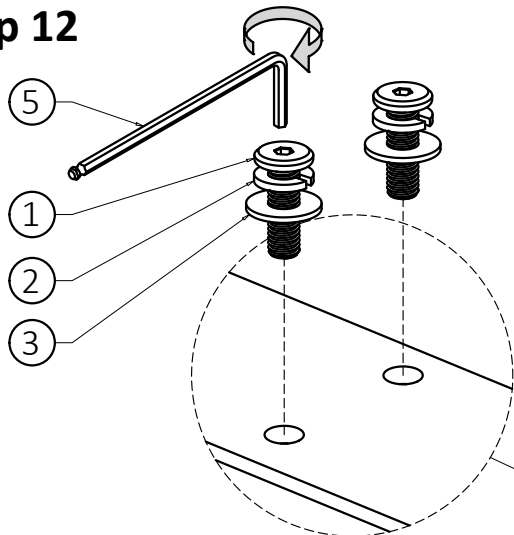
1. Repeat Step 10 for Right Side (CR).

Step 11



1. Attach Top (A) to Sides (CL), (CR) using six Allen Key Screws (4)
(three Screws / each Side).
2. Attach Top (A) to Dividers (DL), (DR) using six Allen Key Screws (4)
(three Screws / each Side).
3. Use Allen Key (5) to tighten screws. Do not over-tighten.

Step 12

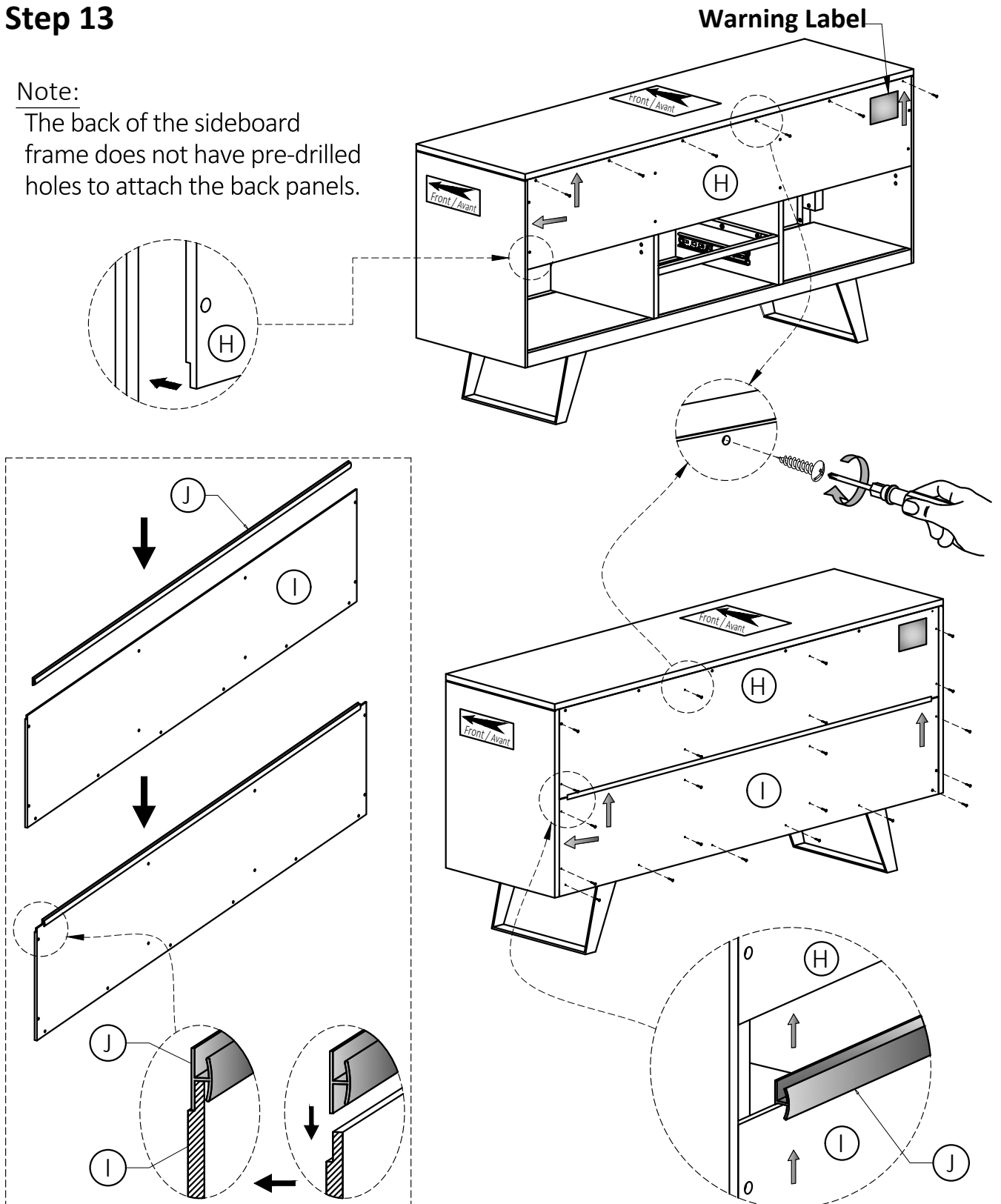


1. Attach Legs (O) to Bottom Shelf (B).
2. Use twelve Allen Key Bolts (1), twelve Lock Washers (2) and twelve Washers (3) to secure part (O) and (B) (six Bolts, six Lock Washers and six Washers on each Leg).
3. Use Allen Key (5) to tighten Bolts. Do not over-tighten.

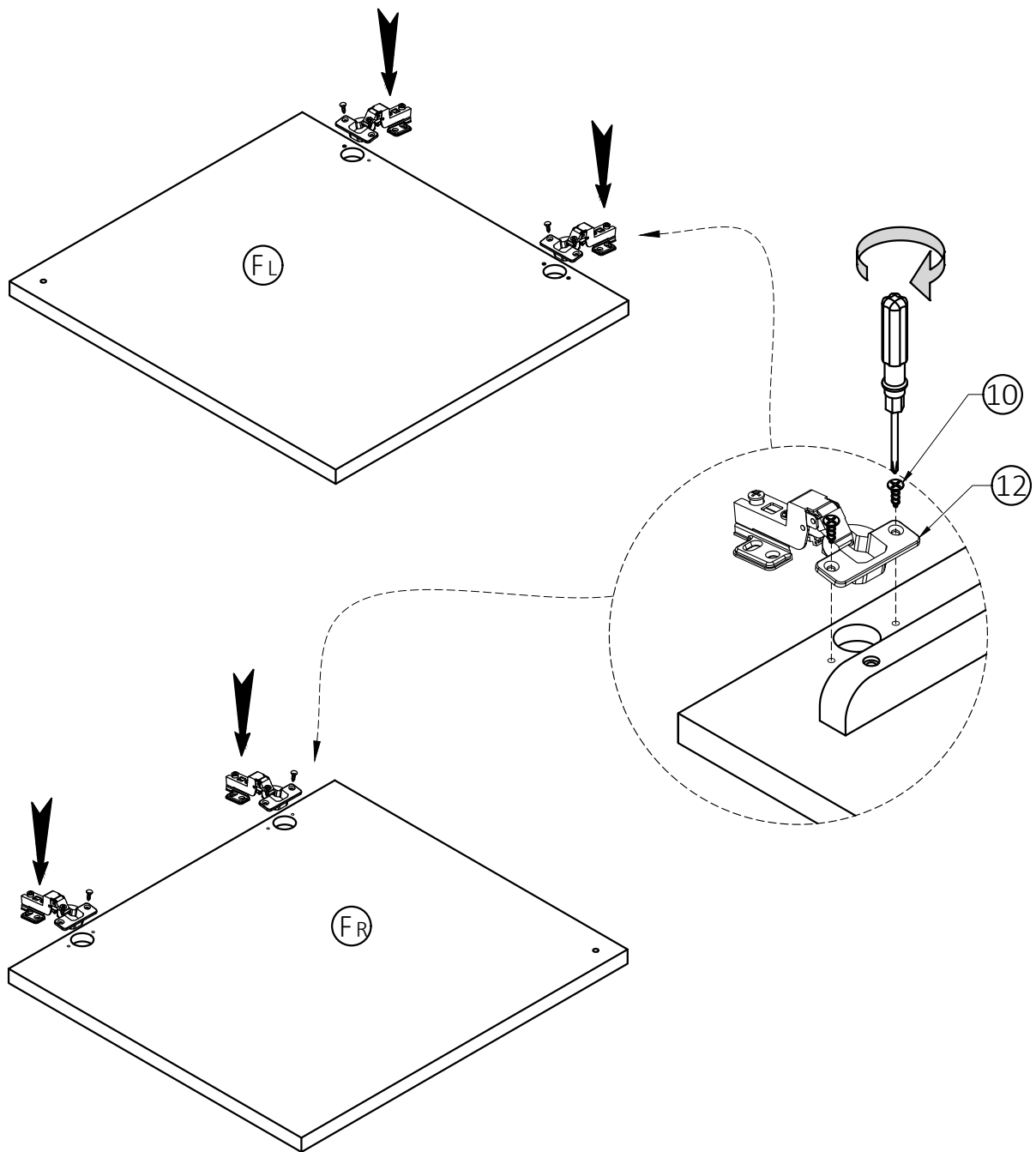
Step 13

Note:

The back of the sideboard frame does not have pre-drilled holes to attach the back panels.

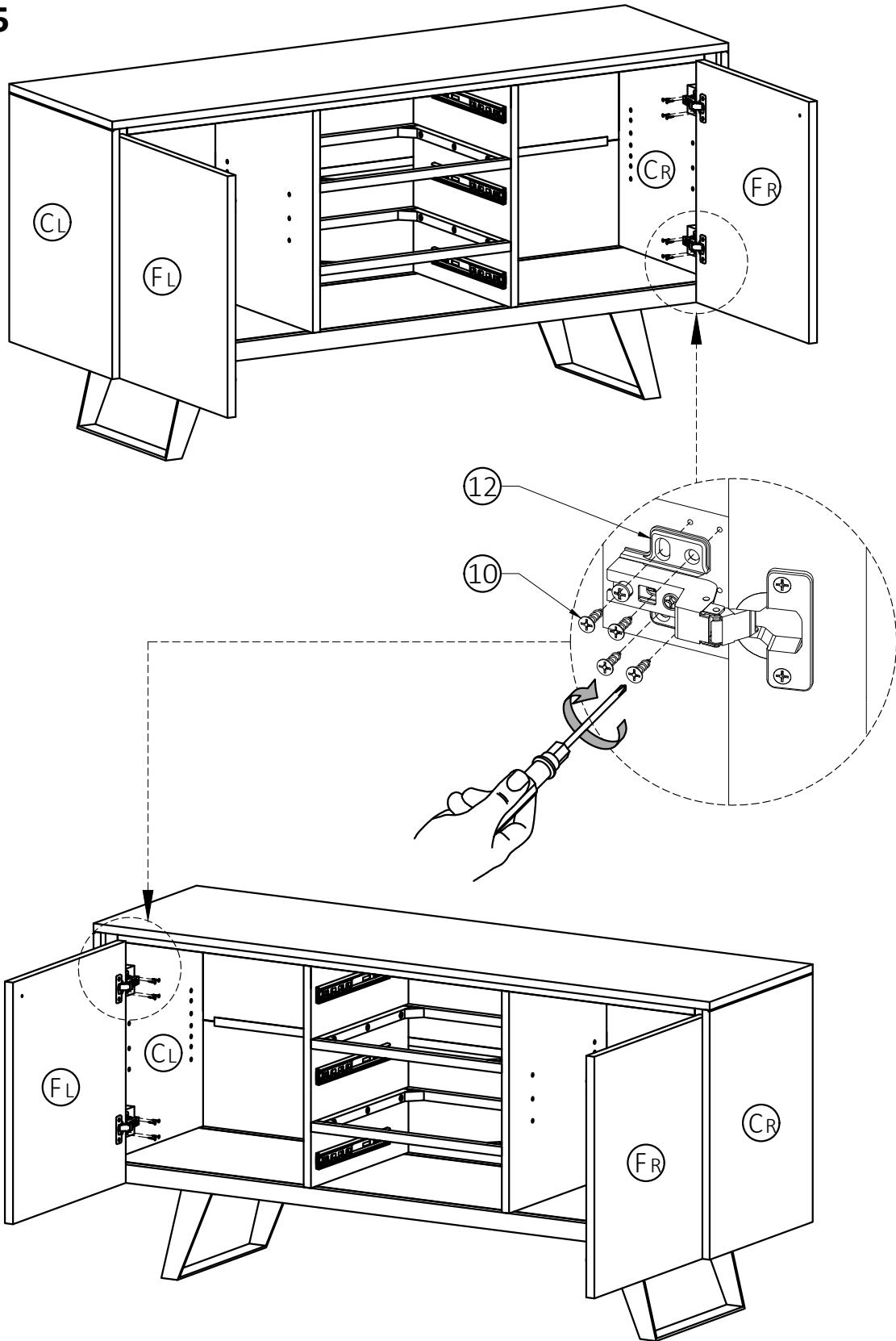


1. Attach the Top Back Panel (H) to back frame by using Phillips Screws (6).
Only 1st top row of screws (six screws) to be screwed in advance.
2. Insert the Bottom Back Panel (I) into the slot of Plastic Joining Strip (J).
3. Insert the entire set of Step 2 into bottom edge of Top Back Panel (H) and attach both panels (H), (I) with screws (6).

Step 14

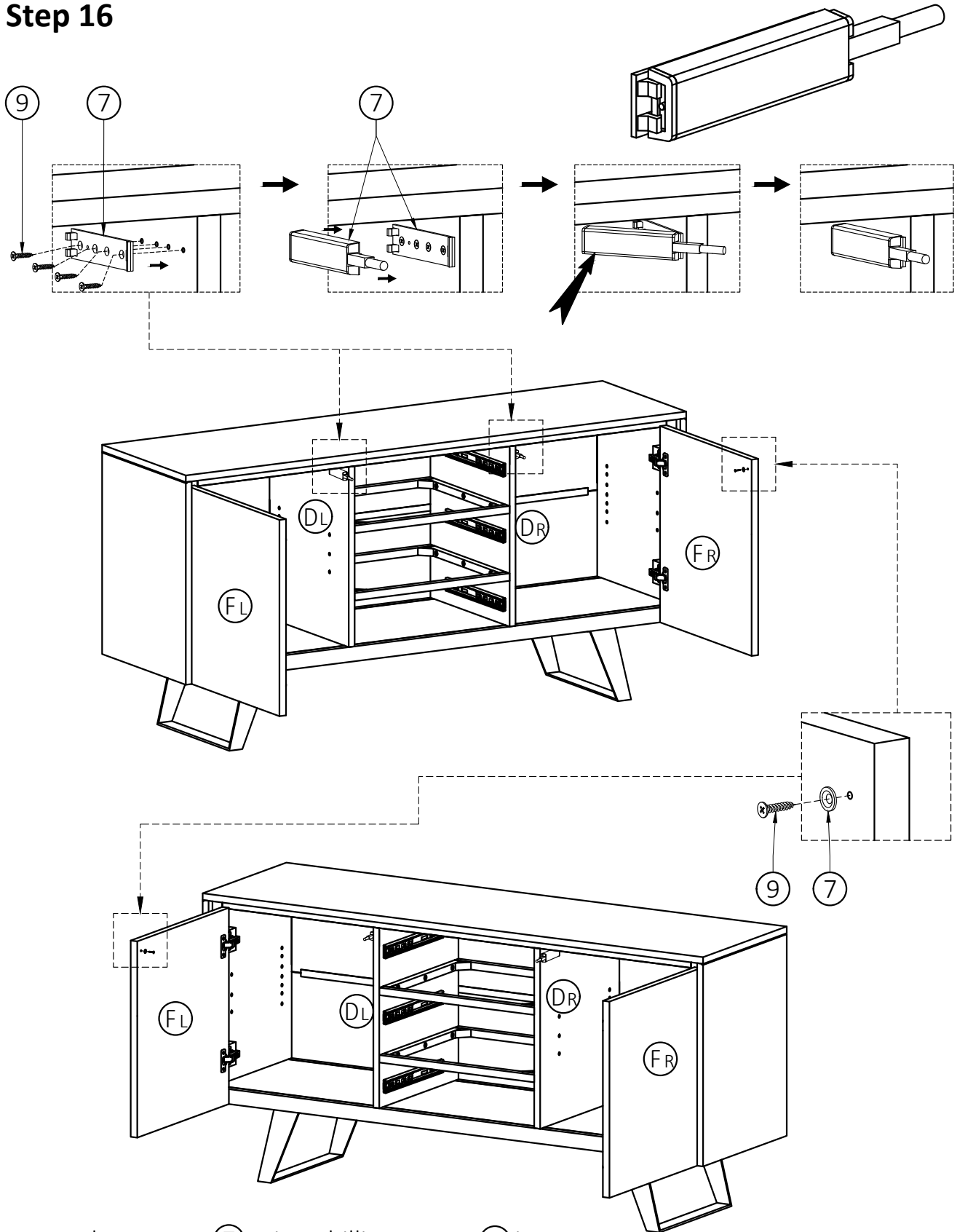
1. Attach Adjustable Hinges (12) to Doors (FL), (FR) using Phillips Screws (10) into guide holes on Doors (FL), (FR).

Step 15



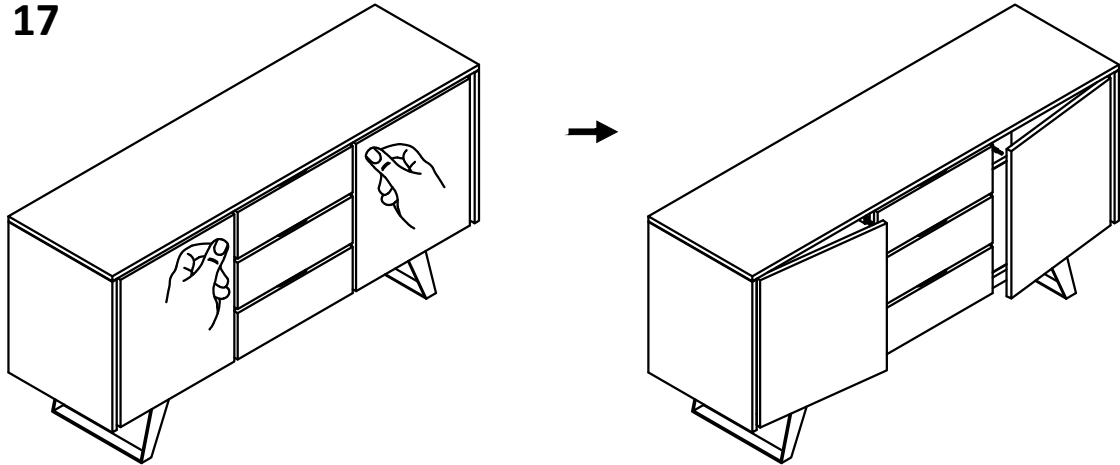
1. Attach Adjustable Hinges (12) on Doors (FL), (FR) to Sides (CL), (CR) using Phillips Screws (10) into guide holes on Sides (CL), (CR).
2. Use Phillips screwdriver to snugly tighten screw.

Step 16



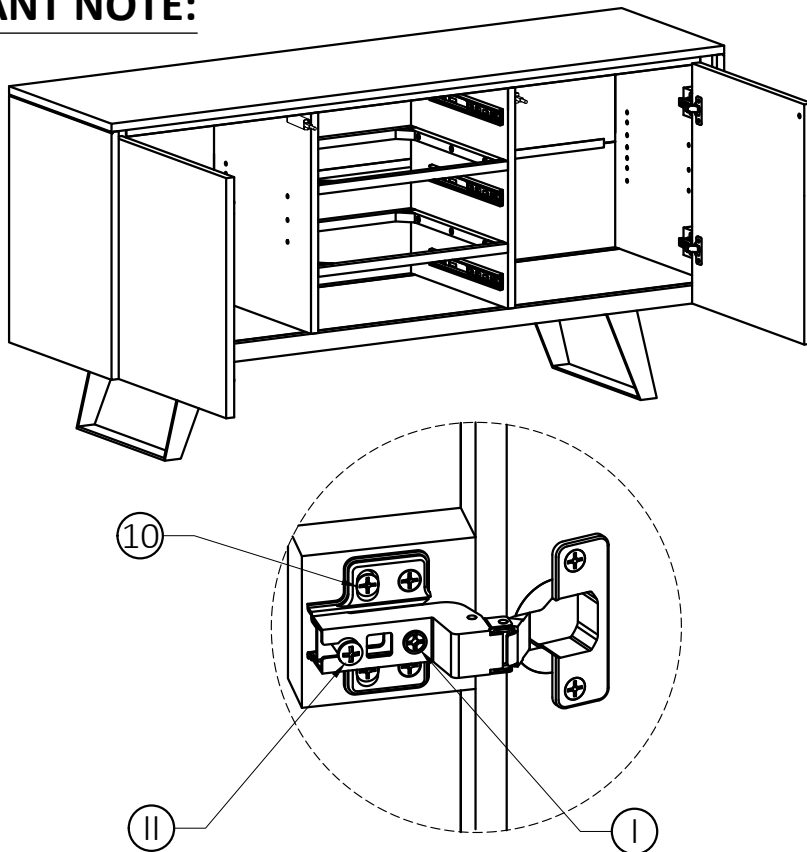
1. Attach Magnets (7) using Phillips Screws (9) into guide holes on Left Divider (DL) and Right Divider (DR).
2. Attach Magnet Plates (7) to top corner of Doors (FL, FR) using Phillips Screws (9) into pre-drilled holes on Doors (FL, FR).
3. Use Phillips screwdriver to snugly tighten screw.

Step 17



Press the top corner of the doors then release to open the doors

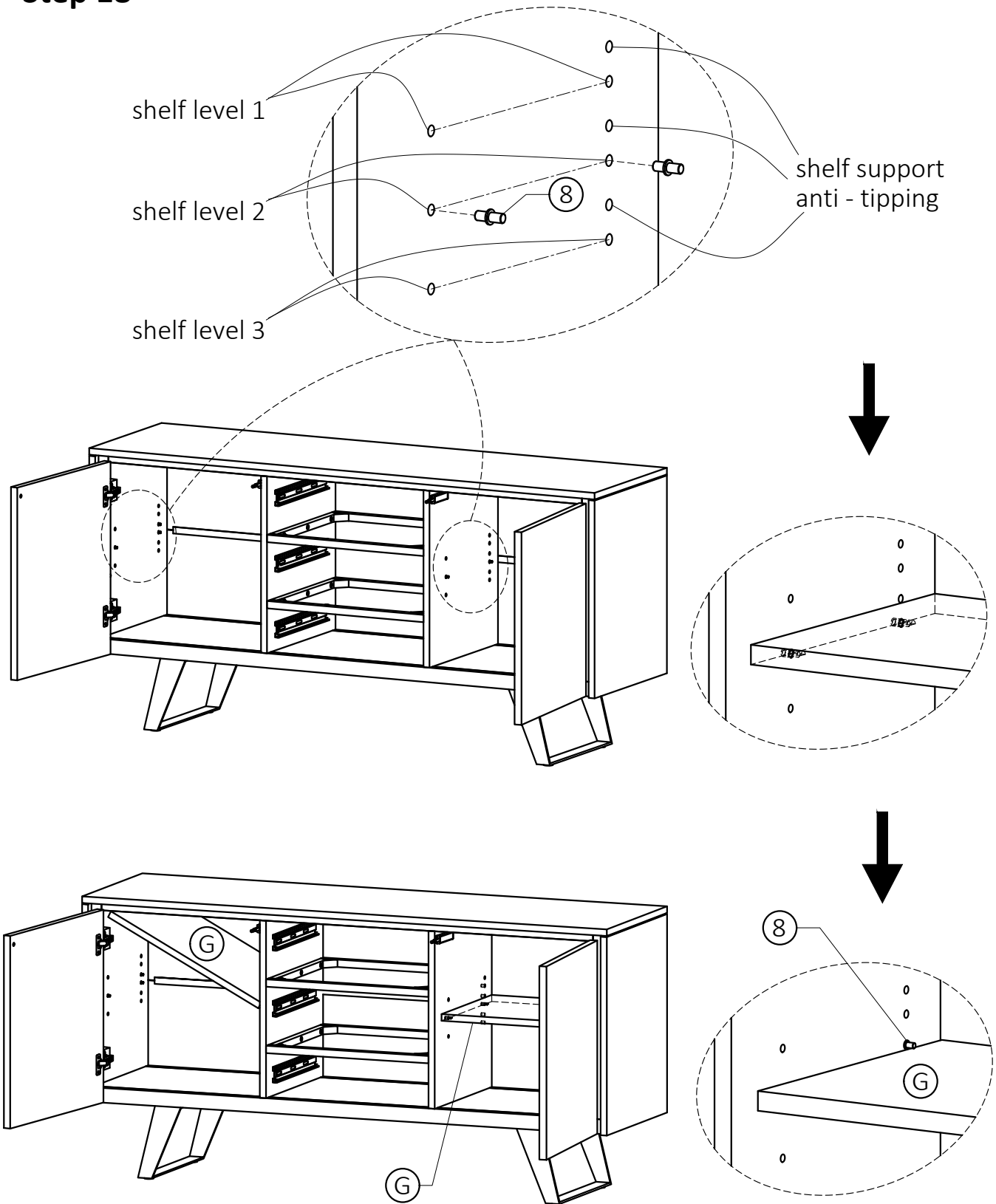
IMPORTANT NOTE:



Tighten the Screw marked ⑪ to fasten hinge. The door may need to be adjusted so that all the spaces between the door and the unit sides are equal. To adjust, follow instructions:

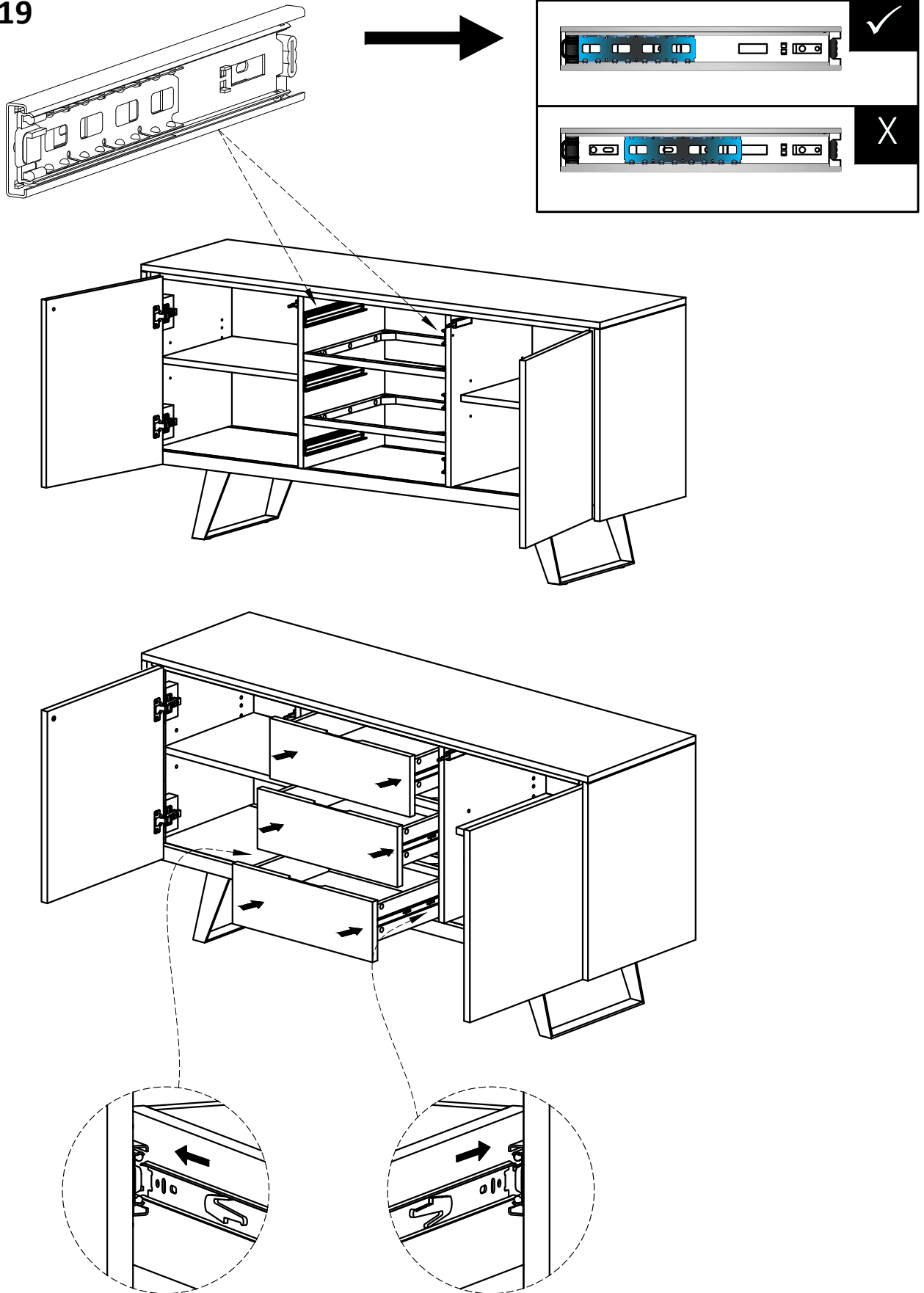
1. Side adjustment 4 mm
To move the door towards the side panel, loosen screw ① and tighten screw ⑪.
To move the door away from the side panel, loosen screw ⑪ and tighten screw ①.
2. Depth adjustment 4 mm
Loosen screw ⑪ (just one turn), adjust door to desired position, re-tighten screw.
3. Height adjustment
Loosen screw ⑩ , adjust door to desired position, re-tighten screw.

Step 18



1. Use four Shelf Supports (8) for each Shelf (G) in desired location .
2. Two Shelf Supports (8) may be used on back top of each Shelf (G) as a tipping restraint.

Step 19



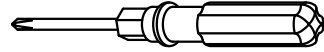
1. Insert assembled drawers into glides on assembled sideboard.

Furniture Tip Over Restraint Assembly

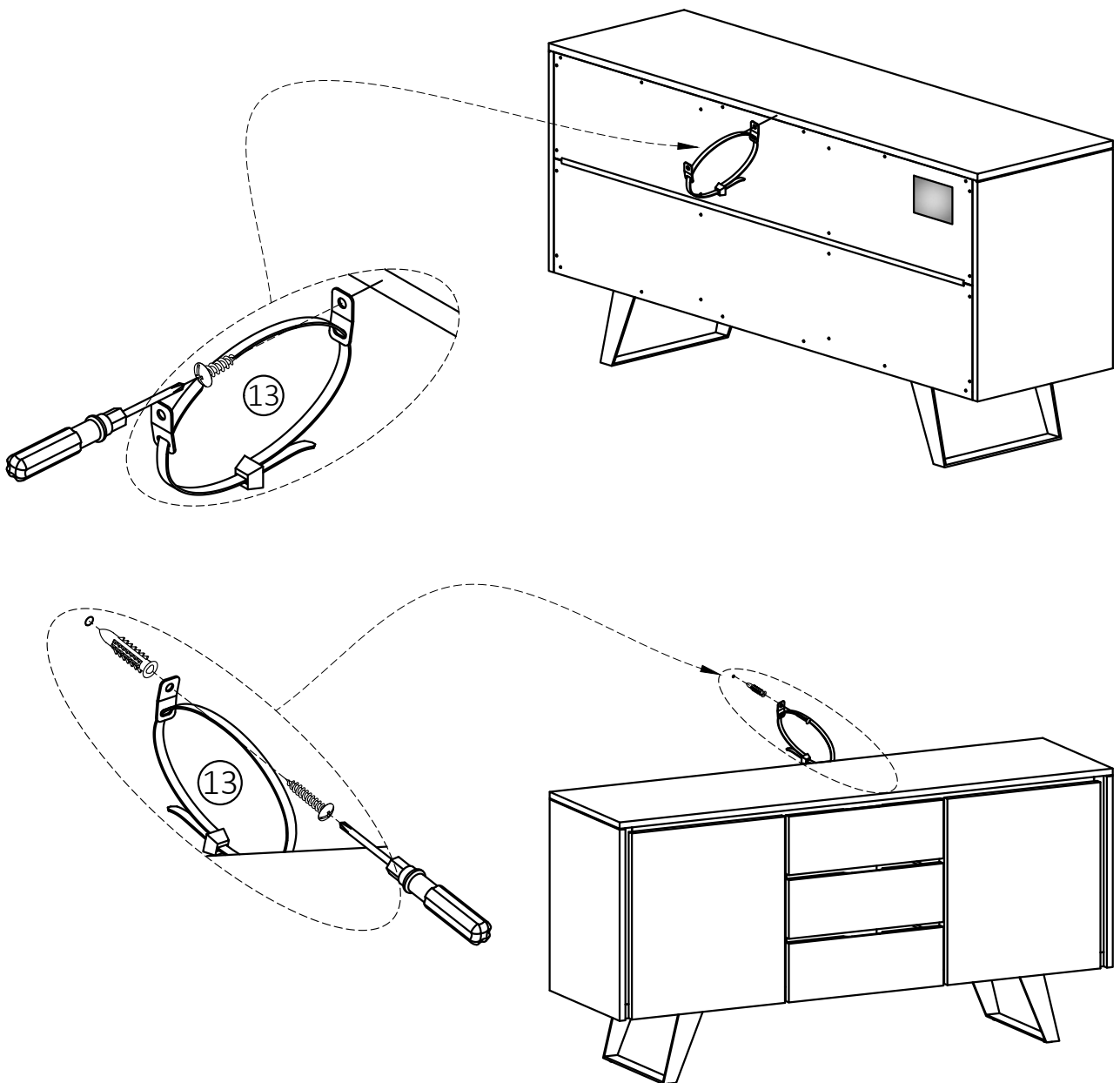
⚠ WARNING

Serious or fatal crushing injuries can occur from furniture tip-over. If the furniture tip over restraint kit is not in the box, please contact our customer service department in order to obtain another kit before using the furniture.

Step 20

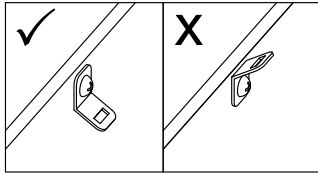


NOTE: The screwdriver is not included in the hardware pack.

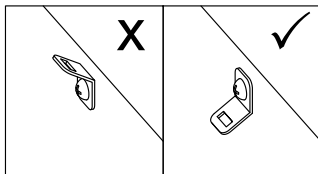


Furniture Anti-Tipping Restraint Instructions

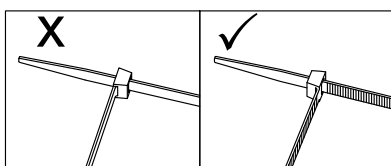
1. Attach one of the mounting brackets securely to the back edge of the furniture. Use the shorter screw.



2. Determine where furniture is to be placed and mark location on the wall for mounting bracket screw hole approximately 2 inches below the bracket mounted to the furniture.



3. Drill a 3/16 inch hole in the wall. Press the plastic anchor into the hole and gently tap until the flange on the anchor is against the wall surface.
4. Position the bracket over the anchor and use the longer screw to securely attach the bracket to the wall.
5. Place the furniture so the back edge is in line with the bracket on the wall.
6. Lace an end of the nylon zip-tie strap down through each bracket. Bring both ends together and slide the smooth side upright through the square-shaped end and pull through to create the "locked" position.
7. Check to make sure the strap is securely laced and locked to the brackets.



- **DO NOT** put a TV or other heavy objects on top of furniture not intended for use with a TV
- **DO NOT** place heavy objects in top drawers or on top shelves
- **DO NOT** let children climb or hang on drawers, doors or shelves