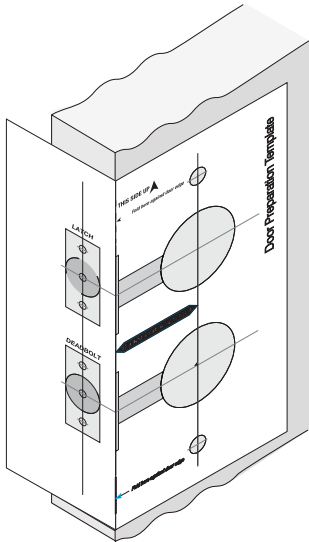


Installation Instructions for Long Plate Furniture

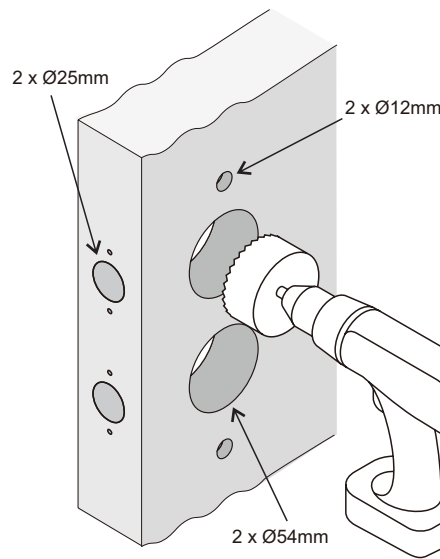
Step 1.

- Mark the Door as shown and use the template as guide.



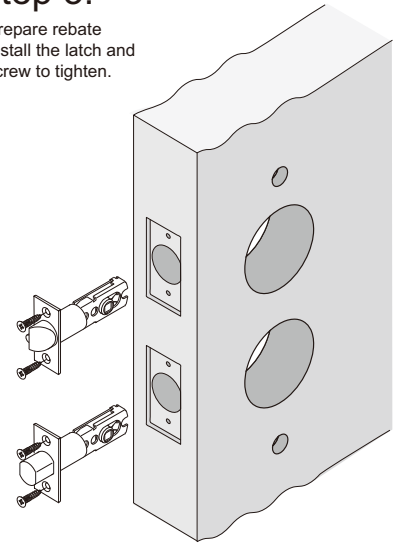
Step 2.

- Drill the holes as shown.



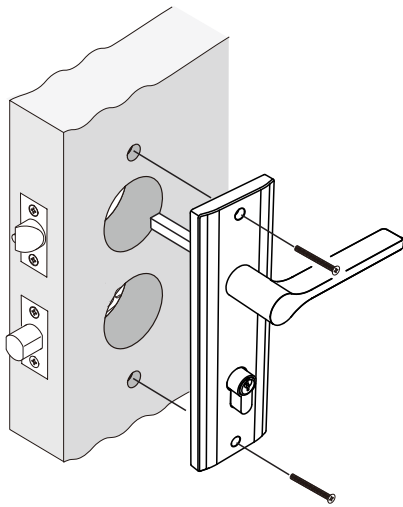
Step 3.

- Prepare rebate
- Install the latch and screw to tighten.



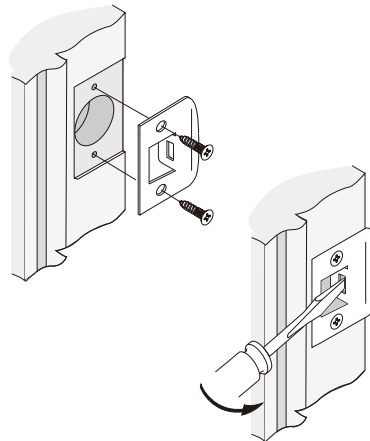
Step 4.

- Hand the External and Internal escutcheons
- Install External and Internal escutcheons



Step 5.

- Prepare rebate
- Install the strike and screw to tighten.



NOTE: Carefully follow these instructions when installing.
Screws to be tightened to a recommended 2.5Nm torque.