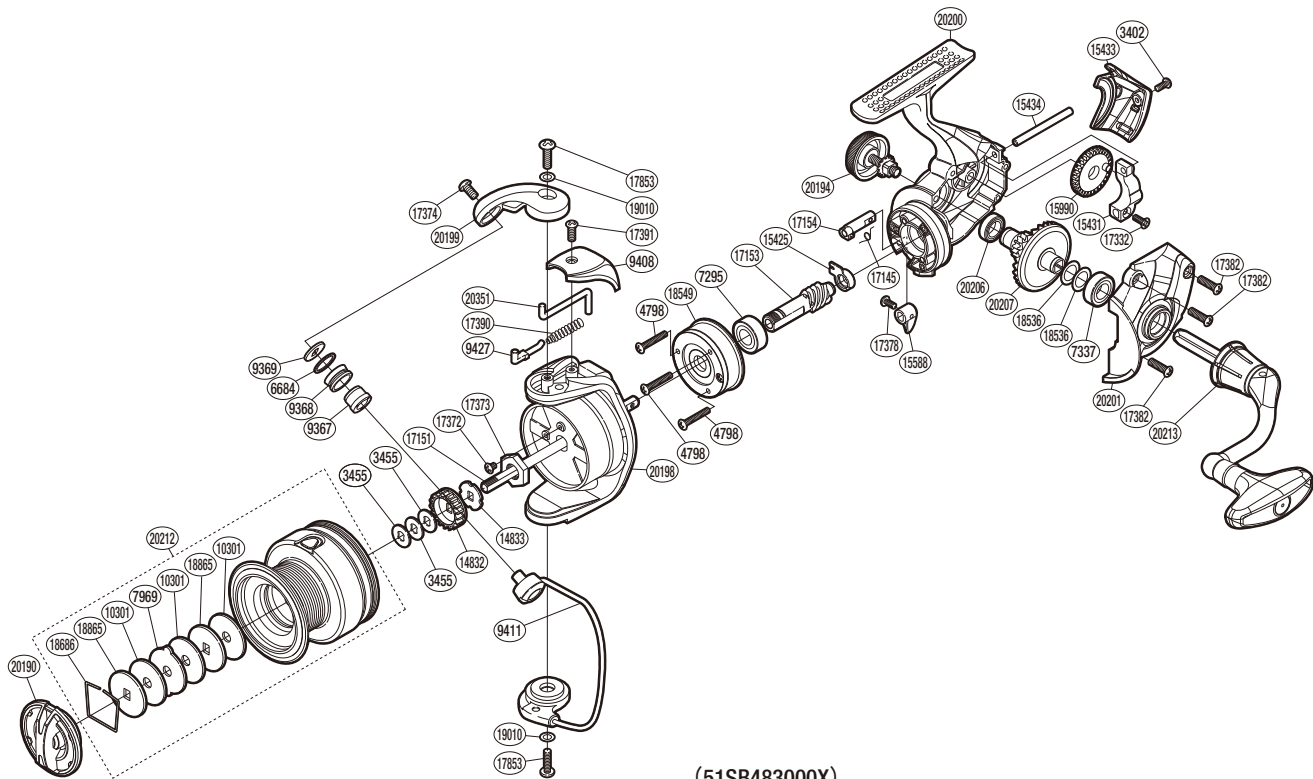


SHIMANO

SIENNA

SNC3000FG



(51SB483000X)

Please note that the number of adjusting washers may not be the same as shown in the exploded views. (Adjustment will vary with each individual product.)

Part No.	Description	Part No.	Description	Part No.	Description
RD 3402	Screw	RD15431	Oscillating Slider	RD17853	Screw
RD 3455	Spool Washer	RD15433	Rear Protector	RD18536	Washer
RD 4798	Screw	RD15434	Oscillating Guide	RD18549	Roller Clutch Assembly
RD 6684	Line Roller Spacer	RD15588	Anti-Reverse Lever	RD18686	Drag Washers Retainer
RD 7295	Ball Bearing	RD15990	Oscillating Gear	RD18865	Key Washer
RD 7337	Ball Bearing	RD17145	Anti-Reverse Cam Spring	RD19010	Washer
RD 7969	Eared Washer	RD17151	Main Shaft	RD20190	Drag Knob
RD 9367	Line Roller Bushing	RD17153	Pinion Gear	RD20194	Handle Screw Cap
RD 9368	Line Roller	RD17154	Anti-Reverse Cam	RD20198	Rotor
RD 9369	Line Roller Washer	RD17332	Screw	RD20199	Bail Arm
RD 9408	Bail Spring Cover	RD17372	Screw	RD20200	Body
RD 9411	Bail Assembly	RD17373	Rotor Nut	RD20201	Side Cover
RD 9427	Bail Spring Guide	RD17374	Screw	RD20206	Ball Bearing
RD10301	Drag Washer	RD17378	Screw	RD20207	Drive Gear
RD14832	Spool Support A	RD17382	Screw	RD20212	Spool Assembly
RD14833	Spool Support B	RD17390	Bail Spring	RD20213	Handle Assembly
RD15425	Pinion Gear Bushing	RD17391	Screw	RD20351	Bail Trip Lever