

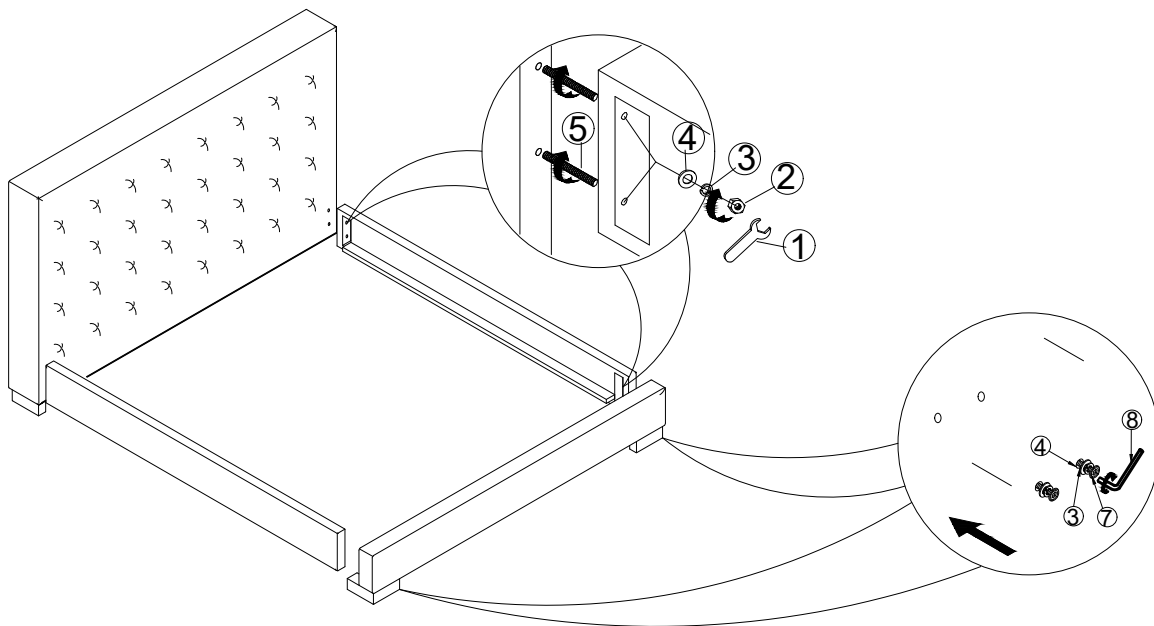
ASSEMBLY INSTRUCTIONS FOR

303--H64C
303--FR4C

5/0 UPH HDBD
5/0 UPH FTBD/RAILS

Thank you for purchasing Bernhardt Furniture. Be sure to check all packing materials carefully to ensure proper assembly.

Please read all instructions carefully before starting the assembly process. Some parts are large and heavy and require at least two people to assemble, to prevent possible injury and/or damage to the furniture. possible injury and/or damage to the furniture.



PARTS LIST

NO.	DRAWING	DESCRIPTION	SIZE	QTY.
A		HEADBOARD		1 PC
B		FOOTBOARD		1 PC
C		SIDERAIL		2 PC
D		SLAT		5 PC
E		SUPPORT LEG		5 PC
F		LEG FOOTBOARD		2 PC

NO.	DRAWING	DESCRIPTION	SIZE	QTY.
1		Open Wrench	M12	1 PC
2		Hex Nut	5/16"	8 PC
3		Spring Washer	5/16"	12 PC
4		Flat Washer	5/16"	12 PC
5		Threaded Rod	5/16" x89mm	8 PC
6		Screw	M4 x 32 mm	10 PC
7		Allen Bolts	5/16"x50 mm	4 PC
8		Allen key	M4 x 32 x75	1 PC

ASSEMBLY INSTRUCTIONS

1. Place (A, B, C,F) on a clean soft padded surface
2. Attach LEG FOOTBOARD(F) to FOOTBOARD (B) using Allen Bolts(7), Spring Washer (3), Flat Washer (4) .
3. Attach SIDERAILS(C) to HEADBOARD(A) and FOOTBOARD (B) with Threaded Rod(5), Spring Washer (3), Flat Washer (4), Hex Nut(2).
4. Tighten with Open Wrench (1),Allen key (8) , but be careful not to overtighten.

CLEANING INSTRUCTIONS

Clean surfaces with a soft damp cloth. Dry immediately

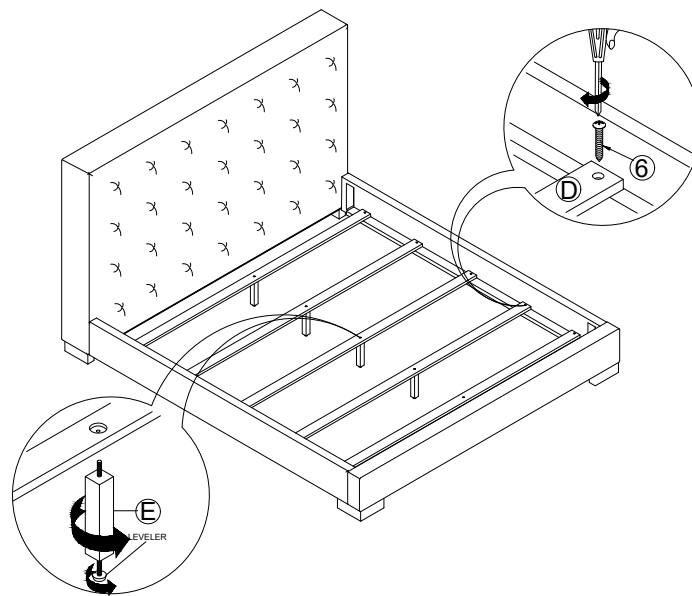
ASSEMBLY INSTRUCTIONS FOR

303--H64C
303--FR4C

5/0 UPH HDBD
5/0 UPH FTBD/RAILS

Thank you for purchasing Bernhardt Furniture. Be sure to check all packing materials carefully to ensure proper assembly.

Please read all instructions carefully before starting the assembly process. Some parts are large and heavy and require at least two people to assemble, to prevent possible injury and/or damage to the furniture. possible injury and/or damage to the furniture.



PARTS LIST

NO.	DRAWING	DESCRIPTION	SIZE	QTY.
A		HEADBOARD		1 PC
B		FOOTBOARD		1 PC
C		SIDERAIL		2 PC
D		SLAT		5 PC
E		SUPPORT LEG		5 PC
F		LEG FOOTBOARD		2 PC

NO.	DRAWING	DESCRIPTION	SIZE	QTY.
1		Open Wrench	M12	1 PC
2		Hex Nut	5/16"	8 PC
3		Spring Washer	5/16"	12 PC
4		Flat Washer	5/16"	12 PC
5		Threaded Rod	5/16" x89mm	8 PC
6		Screw	M4 x 32 mm	10 PC
7		Allen Bolts	5/16"x50 mm	4 PC
8		Allen key	M4 x 32 x75	1 PC

ASSEMBLY INSTRUCTIONS

1. Place (A, B, C,D,E,F) on a clean soft padded surface
2. Attach SUPPORT LEG(E) to SLAT(D).
3. Put SLAT(D) with SUPPORT LEG(E) on SIDERAILS(C) as shown, fix with Screw(6).
4. Tighten with Screw Driver(NOT include), but be careful not to overtighten.

CLEANING INSTRUCTIONS

Clean surfaces with a soft damp cloth. Dry immediately

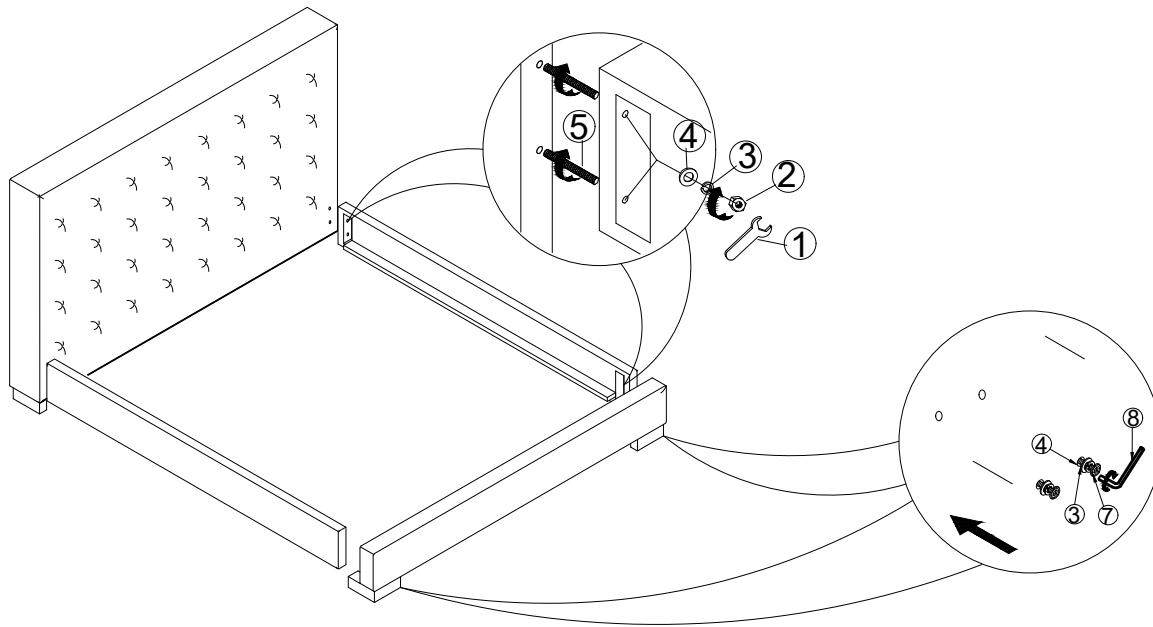
ASSEMBLY INSTRUCTIONS FOR

303--H65C
303--FR5C
303--H66C
303--FR6C

6/0 UPH HDBD
6/0 UPH FTBD/RAILS
6/6 UPH HDBD
6/6 UPH FTBD/RAILS

Thank you for purchasing Bernhardt Furniture. Be sure to check all packing materials carefully to ensure proper assembly.

Please read all instructions carefully before starting the assembly process. Some parts are large and heavy and require at least two people to assemble, to prevent possible injury and/or damage to the furniture. possible injury and/or damage to the furniture.



PARTS LIST

NO.	DRAWING	DESCRIPTION	SIZE	QTY.
A		HEADBOARD		1 PC
B		FOOTBOARD		1 PC
C		SIDERAIL		2 PC
D		SLAT		5 PC
E		SUPPORT LEG		10 PC
F		LEG FOOTBOARD		2 PC

NO.	DRAWING	DESCRIPTION	SIZE	QTY.
1		Open Wrench	M12	1 PC
2		Hex Nut	5/16"	8 PC
3		Spring Washer	5/16"	12 PC
4		Flat Washer	5/16"	12 PC
5		Threaded Rod	5/16" x89mm	8 PC
6		Screw	M4 x 32 mm	10 PC
7		Allen Bolts	5/16"x50 mm	4 PC
8		Allen key	M4 x 32 x75	1 PC

ASSEMBLY INSTRUCTIONS

1. Place (A, B, C,F) on a clean soft padded surface
2. Attach LEG FOOTBOARD(F) to FOOTBOARD (B) using Allen Bolts(7), Spring Washer (3), Flat Washer (4) .
3. Attach SIDERAILS(C) to HEADBOARD(A) and FOOTBOARD (B) with Threaded Rod(5), Spring Washer (3), Flat Washer (4), Hex Nut(2).
4. Tighten with Open Wrench (1),Allen key (8) , but be careful not to overtighten.

CLEANING INSTRUCTIONS

Clean surfaces with a soft damp cloth. Dry immediately

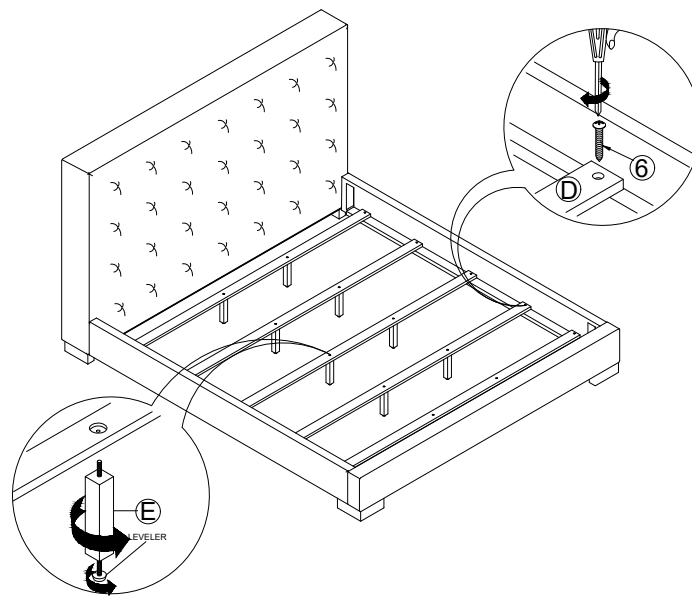
ASSEMBLY INSTRUCTIONS FOR

303--H65C
303--FR5C
303--H66C
303--FR6C

6/0 UPH HDBD
6/0 UPH FTBD/RAILS
6/6 UPH HDBD
6/6 UPH FTBD/RAILS

Thank you for purchasing Bernhardt Furniture. Be sure to check all packing materials carefully to ensure proper assembly.

Please read all instructions carefully before starting the assembly process. Some parts are large and heavy and require at least two people to assemble, to prevent possible injury and/or damage to the furniture. possible injury and/or damage to the furniture.



PARTS LIST

NO.	DRAWING	DESCRIPTION	SIZE	QTY.
A		HEADBOARD		1 PC
B		FOOTBOARD		1 PC
C		SIDERAIL		2 PC
D		SLAT		5 PC
E		SUPPORT LEG		10 PC
F		LEG FOOTBOARD		2 PC

NO.	DRAWING	DESCRIPTION	SIZE	QTY.
1		Open Wrench	M12	1 PC
2		Hex Nut	5/16"	8 PC
3		Spring Washer	5/16"	12 PC
4		Flat Washer	5/16"	12 PC
5		Threaded Rod	5/16" x89mm	8 PC
6		Screw	M4 x 32 mm	10 PC
7		Allen Bolts	5/16"x50 mm	4 PC
8		Allen key	M4 x 32 x75	1 PC

ASSEMBLY INSTRUCTIONS

1. Place (A, B, C,D,E,F) on a clean soft padded surface
2. Attach SUPPORT LEG(E) to SLAT(D).
3. Put SLAT(D) with SUPPORT LEG(E) on SIDERAILS(C) as shown, fix with Screw(6).
4. Tighten with Screw Driver(NOT include), but be careful not to overtighten.

CLEANING INSTRUCTIONS

Clean surfaces with a soft damp cloth. Dry immediately