



ELLIOT OUTDOOR LED LIGHT SKU#

ASSEMBLY / INSTALLATION INSTRUCTIONS

Please read carefully and save these instructions, as you may need them at a later date.

CAUTION

Turn off the main power at the circuit breaker before installing the fixture, in order to prevent possible shock.

GENERAL

All electrical connections must be in accordance with local and National Electrical Code (N.E.C.) standards.

If you are unfamiliar with proper electrical wiring connections obtain the services of a qualified electrician. Remove the fixture and the mounting package from the box and make sure that no parts are missing by referencing the illustrations on the installation instructions.

ASSEMBLY AND INSTALLATION

Turn off the power at fuse or circuit breaker

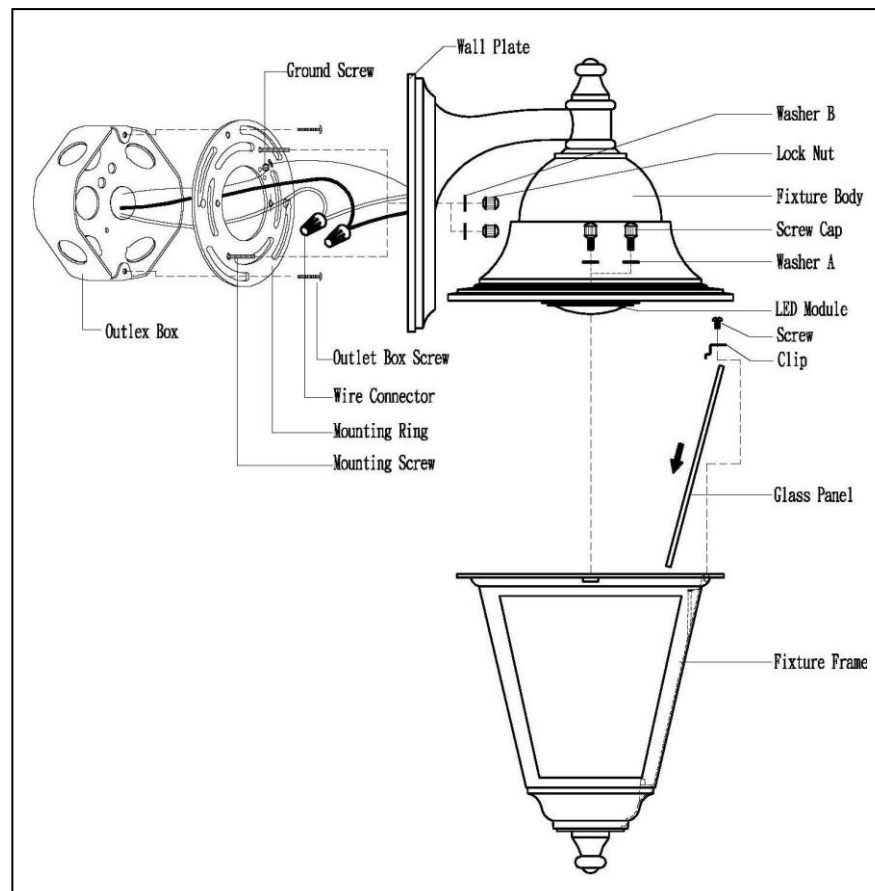
1. Gently take all parts out of the package, lay them on a smooth surface and unscrew the Lock Nut.
2. Attach Mounting Ring to the Outlet Box using Mounting Screws.
3. Assemble Glass Panel into Fixture Frame and press the Clips close to the Glass Panel.
(Do not use excess force to avoid glass damaged). Then tighten it using the Screw.
4. Attach the Fixture Body into the Fixture Frame and Fasten the Fixture Body by using Washer A and Nut.
5. Tie ground wire from Outlet Box and from fixture to the Ground Screw on the Mounting Ring.

Connect white wire from fixture to white wire (neutral wire) from supply circuit.

Connect black wire from fixture to black wire (live wire) from supply circuit. Cover connections using provided Wire Connectors.

6. Place the Fixture body against wall by aligning the protruding Mounting Screws all the way through the Wall Plate and tighten Lock Nuts to the Mounting Screws until the Fixture Body is held firmly against the wall.
7. Use silicone caulking to seal between wall canopy and wall. Leave bottom unsealed so moisture can drain out.

Turn on the power at fuse or circuit breaker.



ITEM#

**IF IN DOUBT ABOUT ELECTRICAL INSTALLATION,
CONSULT A LICENSED ELECTRICIAN.**

Customer Service: 1-800-558-8700