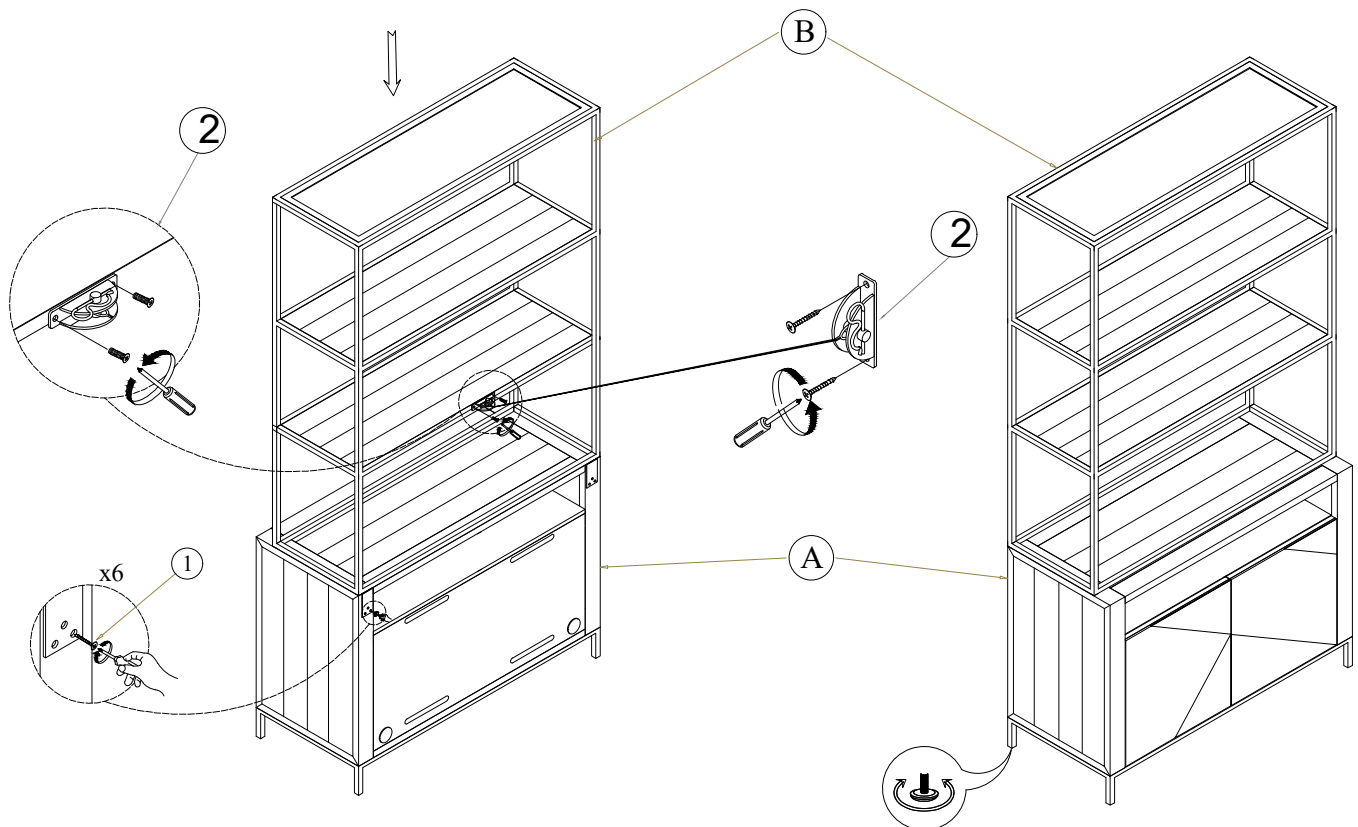


B E R N H A R D T LOFT B E R N H A R D T

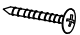
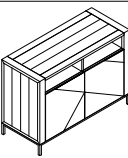


ASSEMBLY INSTRUCTIONS FOR 202/303-884/-882 CONSOLE DECK & CONSOLE BASE

Thank you for purchasing Bernhardt Furniture. Be sure to check all packing materials carefully to ensure proper assembly.

Please read all instructions carefully before starting the assembly process. Some parts are large and heavy and require at least two people to assemble, to prevent possible injury and/or damage to the furniture.



PARTS LIST

NO.	DRAWING	DESCRIPTION	SIZE	QTY.	NO.	DRAWING	DESCRIPTION	QTY.
1		Screws	M4x20	6	A		Console Base	1
2		Anti - tip kit		1	B		Console Deck	1

ASSEMBLY INSTRUCTIONS.

- 1-Put Console Deck (B) on the top of Console Base (A), attach Console Deck to back of Console Base using: screws (1).
- 2.Set item upright and level using adjustable levels.
- 3.The use of included tipping restraint may reduce, but not eliminate, risk of furniture tip over. Attach Hangman Anti-tip kit bracket to the back of the metal shelf frame using included machine screws. Follow instructions inside bag for proper installation.

CLEANING INSTRUCTIONS

Clean surfaces with a soft damp cloth. Dry immediately