

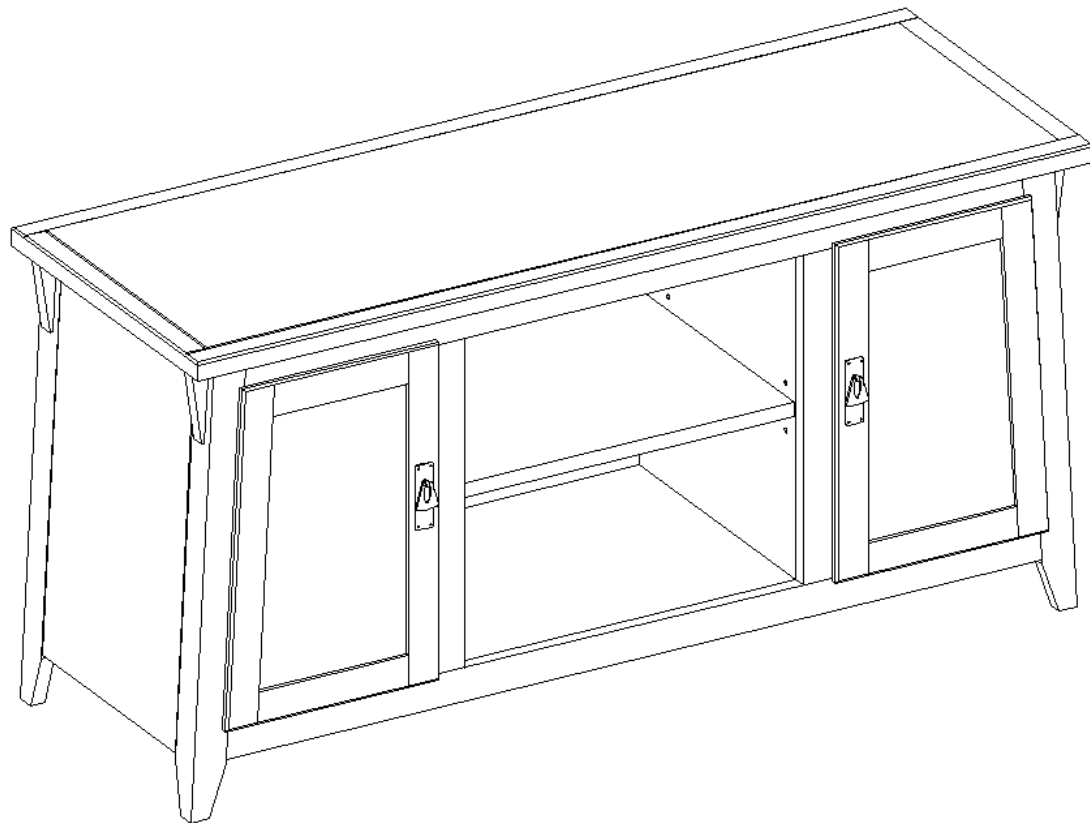
ITEM# 82550

Mission Oak 50" TV Console

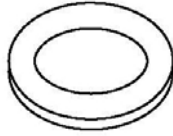

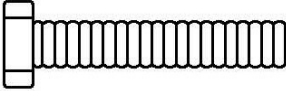

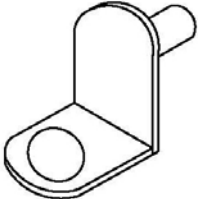
**Leick
Home**
SINCE 1910

2219 S. 19th St.
Sheboygan, WI 53081
Ph: 920-451-4060
Fax: 920-451-4063

info@leickfurnituresince1910.com



Hardware List

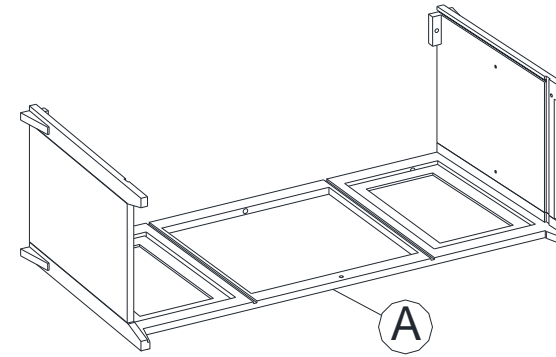
Item	Description	Qty
a	 Flat Washers	14PCS
b	 Lock Washers	14 PCS
c	 Bolts	14 PCS
d	 Allen wrench	1 PC
e	 Shelf Metal Clip	12 PCS

Parts List

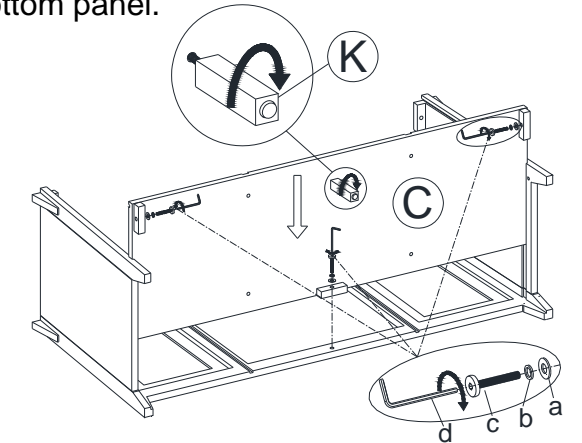
Item	Description	Qty
A	Cabinet	1 PC
B	Top Panel	1 PC
C	Bottom Panel	1 PC
D	Left Middle Vertical Panel	1 PC
E	Right Middle Vertical Panel	1 PC
F	Left Back Panel	1 PC
G	Right Back Panel	1 PC
H	Middle Back Panel	1 PC
I	Side Shelf (not adjustable)	2 PCS
J	Middle Adjustable Shelf	1 PC
K	foot	1pc

Assembly Instructions

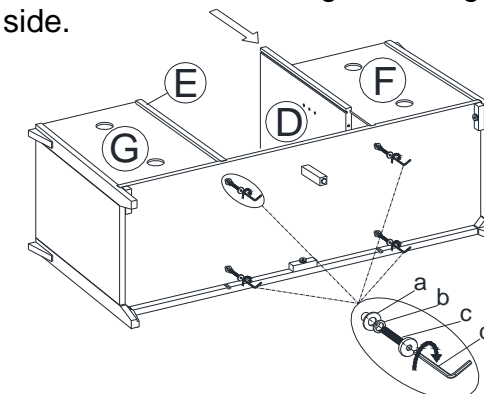
Step 1
Place the cabinet (A) on a soft surface and unfold two side panels.



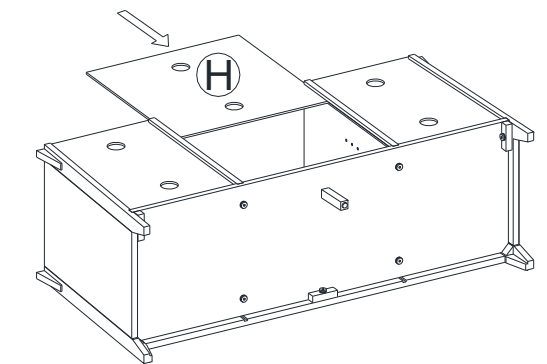
Step 2
Slide the bottom panel (C) into the grooves, and fasten the bolts. Fasten the foot on the bottom panel.



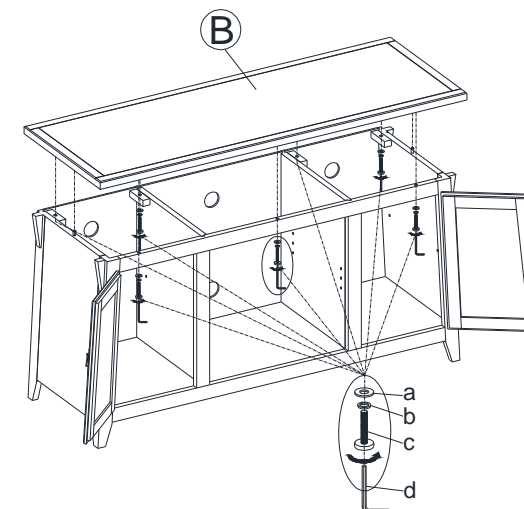
Step 3
Insert the left back panel (F) into the side while then adding the middle vertical panel (D); these are done at the same time. Fasten with bolts. Do the same thing on the right back side.



Step 4
Insert middle back panel (H).



Step 5
Place the cabinet right side up, put the top (B) on and fasten with bolts.



Step 6
Insert the shelf supports and place the shelves on the shelf supports.

