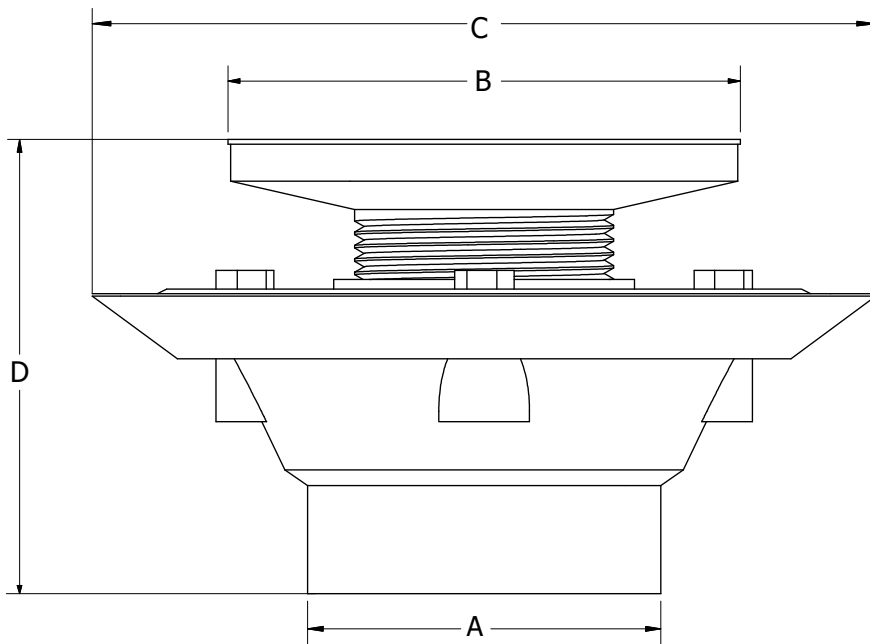


## PART NO. D50125

### 2" X 3" PVC PERFECT LOW PROFILE DRAIN WITH 2" PVC SPUD AND ROUND STAINLESS STEEL STRAINER, PRIMER TAPPED



- Fits over 2" or inside 3" Schedule 40 DWV pipe
- Comes with round screw-in stainless steel strainer
- Durable gray PVC spud to camouflage dirt and soap scum
- Ability to use a snap-in or screw-in strainer
- Low profile - perfect for multiple stories
- Reversible clamping ring
- Primer tapped



Part No.	Strainer - Shape	Strainer - Finish	A - Pipe Size	B	C	D
D50125	Round	Stainless Steel	3.00" OD, 2.40" ID	4.15"	6.52"	2.98" - 4.35"