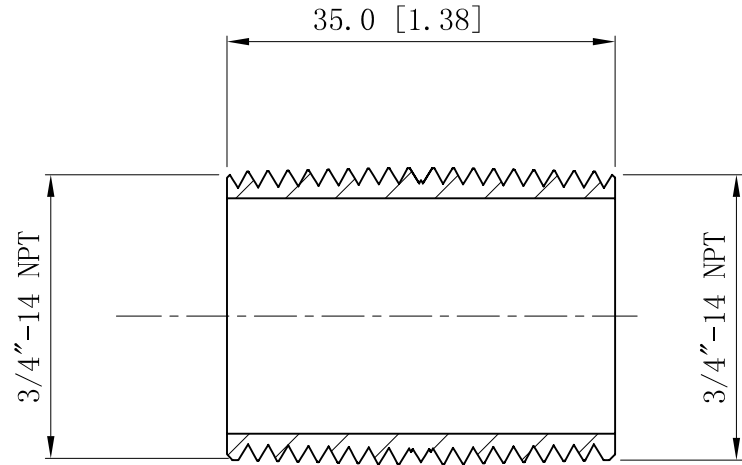
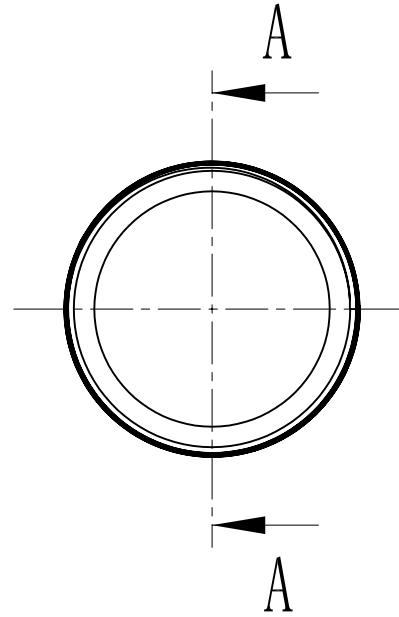


SIDES	BOTTOM
Material:Steel-Welding tube, zinc plated	



CUTAWAY VIEW A-A



This data sheet is for reference only .GARVIN INDUSTRIES reserves the right to make changes to the design without prior notice.

DESCRIPTION
TRADE REFERENCE TERMS

STANDARD PACKING
25 PCS

<b>GARVIN INDUSTRIES</b>		
TITLE RIGID CONDUIT NIPPLES		
SIZE A4	DWG NO. RN75C	REV
DATA SHEET		