

# ASSEMBLY INSTRUCTION

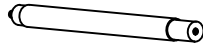
## TWO TONE BOOKCASE

**A** Top Panel



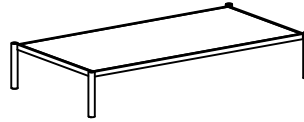
1pc

**B** Post



16pcs

**C** Bottom Base



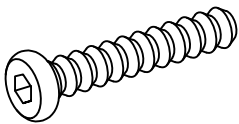
1pc

**D** Shelf Panel



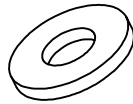
3pcs

**E** Bolt  
Ø5/16"x1-1/4"



4pcs

**F** Flat Washer  
Ø5/16"x19mm



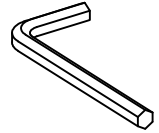
4pcs

**G** Lock Washer  
Ø5/16"x13mm



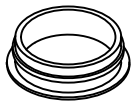
4pcs

**H** Allen Key  
M5



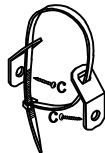
1pc

**I** Plastic Cover  
Ø30mm

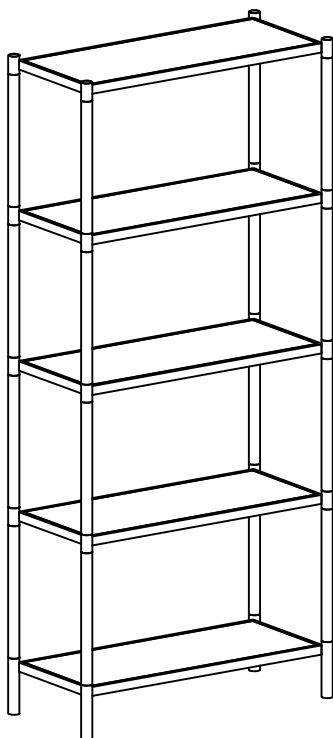


4pcs

**J** Anti-Tipping Kit

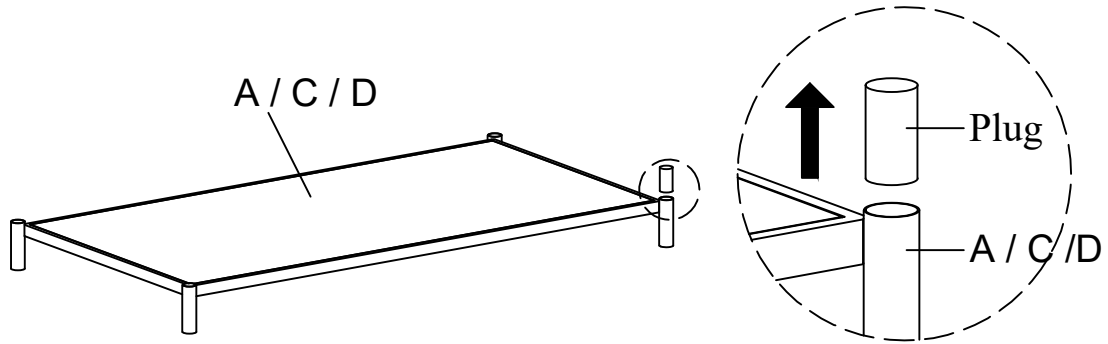


1set

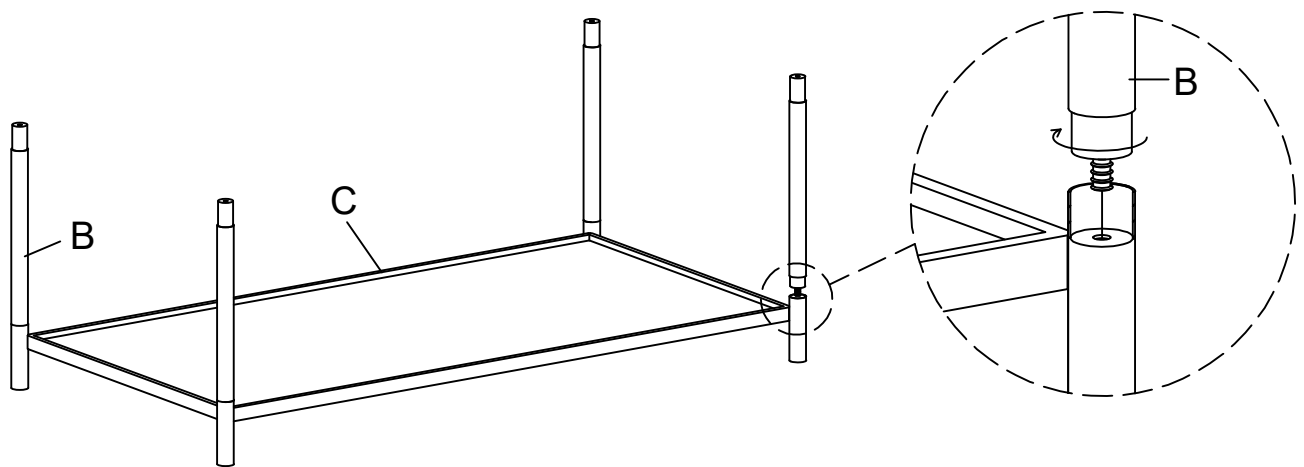


This page lists all the contents included in the box. Please take the time to identify the hardware as well as the individual components to this product. As you unpack and prepare for assembly, place the contents on a carpeted or padded area to protect them from damage.

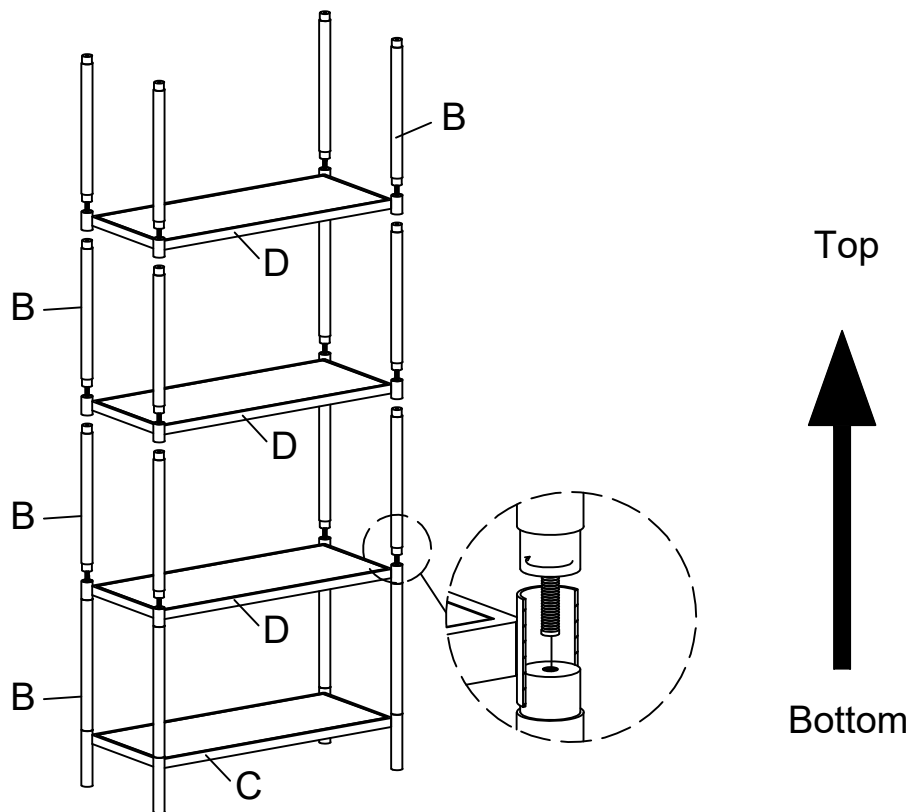
**1** Pull out the plug from the metal tube of Top Panel (A), Bottom Base (C) and Shelf Panel (D).



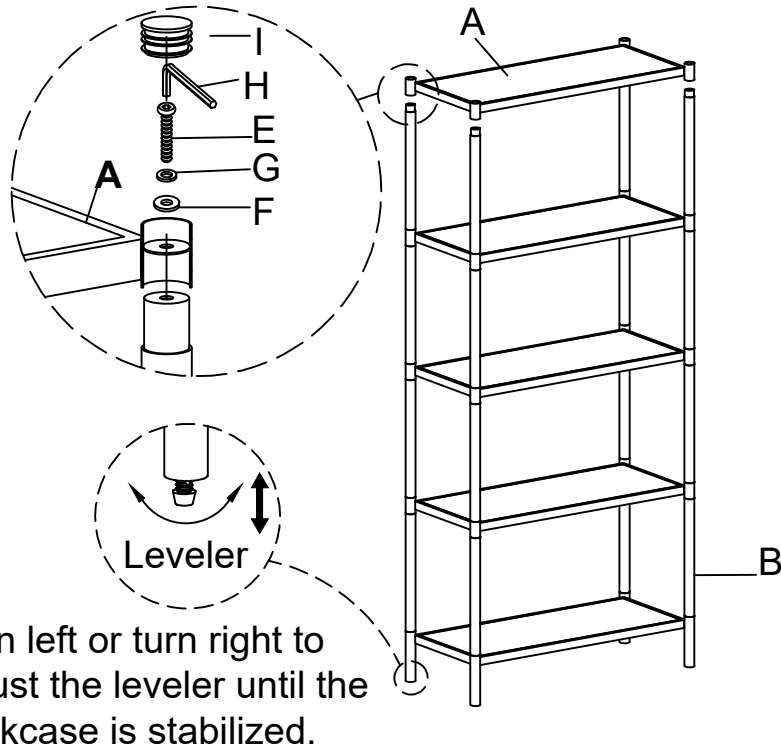
**2** Attach Post (B) to Bottom Base (C), and rotate tightly.



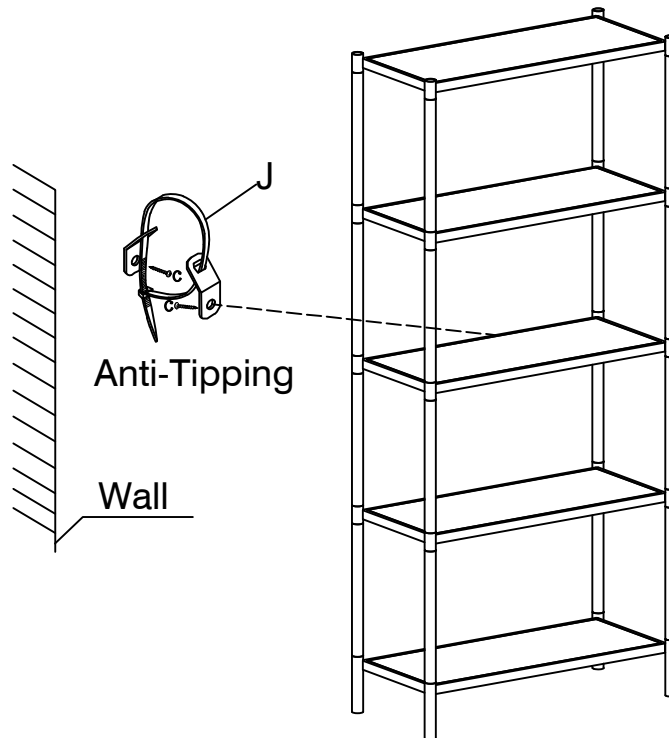
**3** Assemble the Shelf Panel (D) with Post (B) step by step from the bottom to top as below shown.



- 4 Attached Top Panel (A) to the Post (B) at last, using Bolt (E), Lock Washer (G), Flat Washer (F) in the holes of the metal tube. Turn the Allen Key (H) in Bolt (E), then cover the metal tube with Plastic Cover (I).



- 5 Remark: There is a tip restraint kit provided on the back of this product. Please refer carefully to the instruction on the tip restraint kit and following instruction picture for installation.



### Cleaning & Care

Treat surface with care. Surface is resistant to scratches but is not scratch resistant. Clean surfaces with a dry or damp soft cloth. Do not use abrasive cleaners. Hardware may loosen over time. Periodically check that all connections are tight.