

Dotted line size: 585\*436mm

# Kräus®

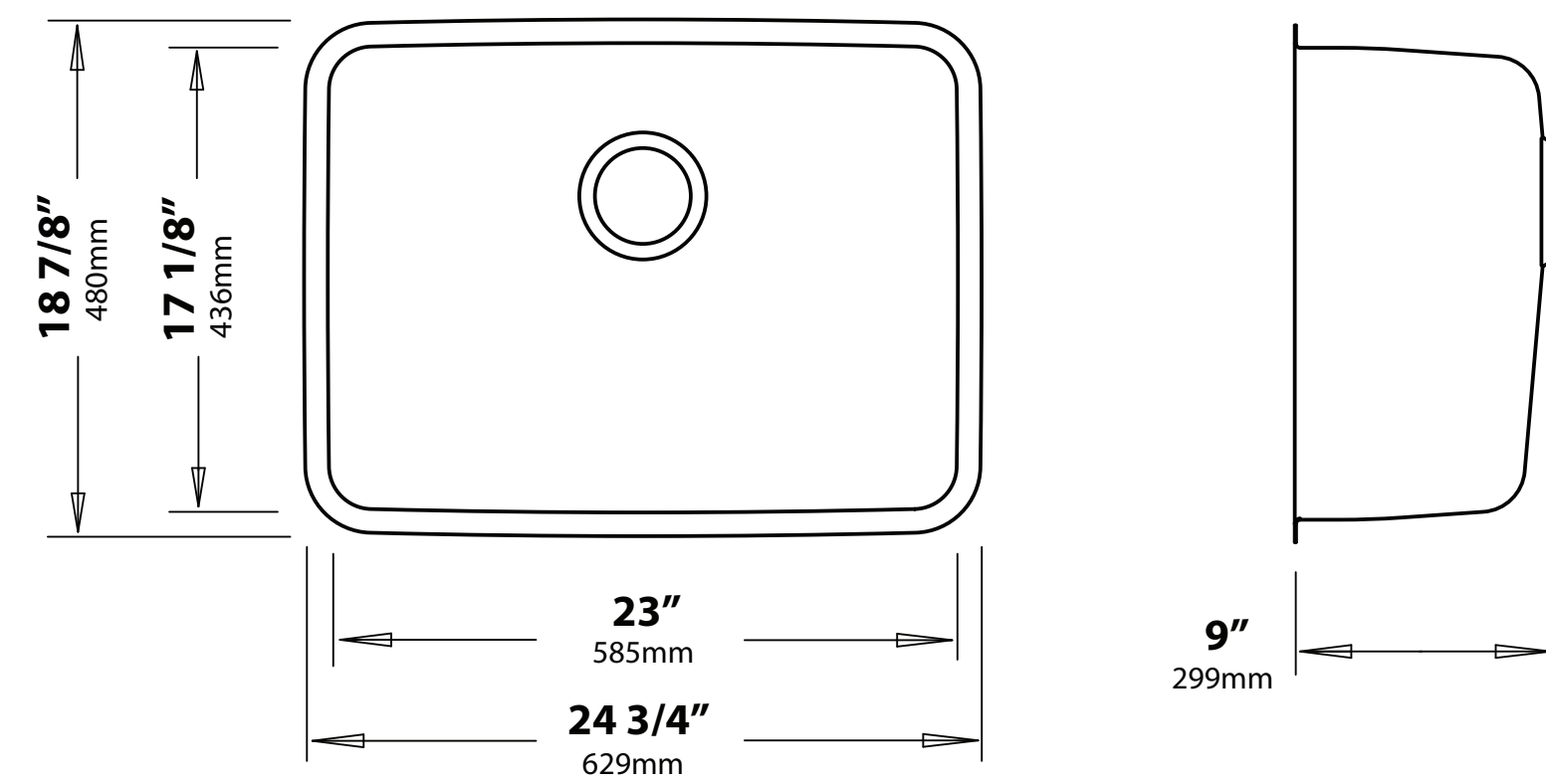
www.kraususa.com

**Model No.**  
**KA1US25B**  
**KA1AS25B**

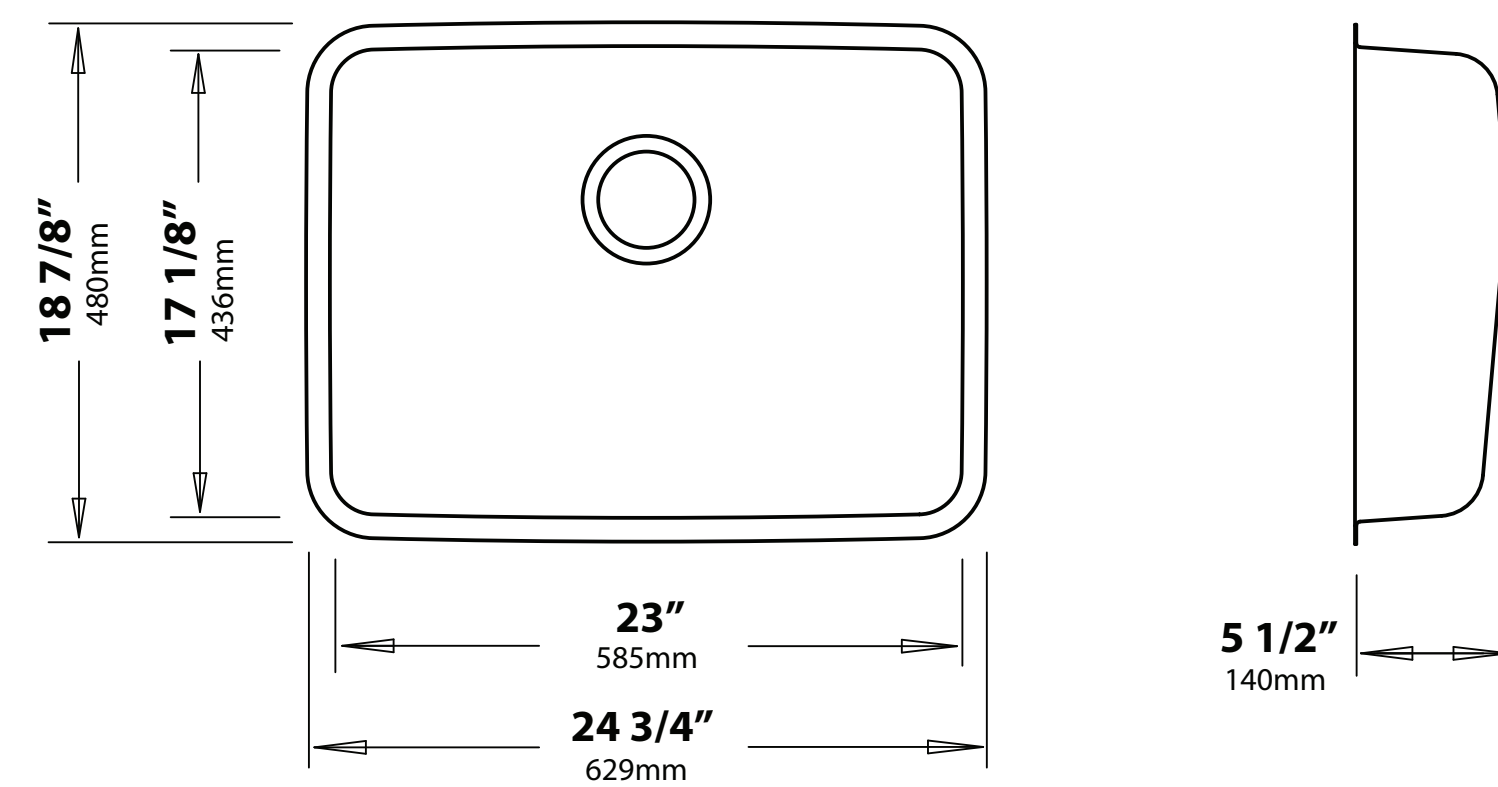
**Undermount Cut-out**

Pro Hotline: 516.801.8955  
Customer Service: 800.775.0703

**KA1US25B**



**KA1AS25B**



**NOTE:** Cutout template is provided as a guide **ONLY** and must be checked against actual sink to verify correct fit.

Please cut along inner solid line for negative reveal 1/8" →

Please tear perforated edge for zero / flushed reveal →

Please use outer edge for positive reveal 3/8" →