



Architectural/Engineering Specification:

Zurn AquaSense® faucets are ideal for high-use applications where durability and hands-free operation are necessary. ADA compliant, battery-powered, polished chrome-plated cast brass necessary sensor faucet with infrared proximity sensor for retrofit and new construction. Unit is furnished with a standard 0.5 GPM aerator and mounting hardware.

Zurn Lead Free (-XL) is the line of durable, high quality brass faucets and fixtures that are designed and manufactured to comply with Section 1417 of the Safe Drinking Water Act (SDWA) which mandates a weighted average lead content of no more than 0.25% of the wetted surface.

PRODUCT FEATURES:

- Infrared convergence-type proximity sensor
- 30-second time out feature
- Chrome-plated, cast brass body
- In-line filter
- 4 "AA" batteries
- Inlet for a 1/2" ball riser

SUFFIX OPTIONS:

-ADM	Above-Deck Mixer
-ADM-1	Above-Deck Mixer with 4" [102mm] Cover Plate
-ADM-2	Above-Deck Mixer with 8" [203mm] Cover Plate
-CP4	Cover Plate 4" [102mm] Centers
-CP8	Cover Plate 8" [203mm] Centers
-H4	Wrist Blade handle for ADM
-MV	Temperature Mixing Valve
-SH	Three Supply Hoses for Mixing Valve
-TMV-1	Thermostatic Mixing Valve for Single Faucets (ASSE Listed 1070)

POWER OPTIONS:

Power Supply Option	
-ACA	6-VDC plug-in power converter
-CWB	Connector wire for plug-in power converter
Power Supply Accessories (Sold Separately)	
-HW6	Hardwired power converter
-MJ	Mini junction box

AERATOR OPTIONS:

Suffix	Flowrate GPM [L]	Vandal-Resistant	WaterSense* Labeled	Outlet Type
-E	1.5 GPM [5.7L]	x	x	Aerator
-F	0.5 GPM [1.9L]	x		Spray
-J	1.5 GPM [5.7L]	x	x	Laminar
-K	1.0 GPM [3.8L]	x	x	Laminar
-L	1.0 GPM [3.8L]	x	x	Aerator
-M	0.35 GPM [1.3L]	x		Spray
-N	0.5 GPM [1.9L]	x		Laminar



Product Compliance:

ADA
ASME A112.18.1/CSA B125.1, ASME A112.18.1
CEC
CSA B125.1
IPC
NSF 372

*Complies with ADA & ICC A117.1 accessibility requirements when installed according to the requirements outlined in these standards.

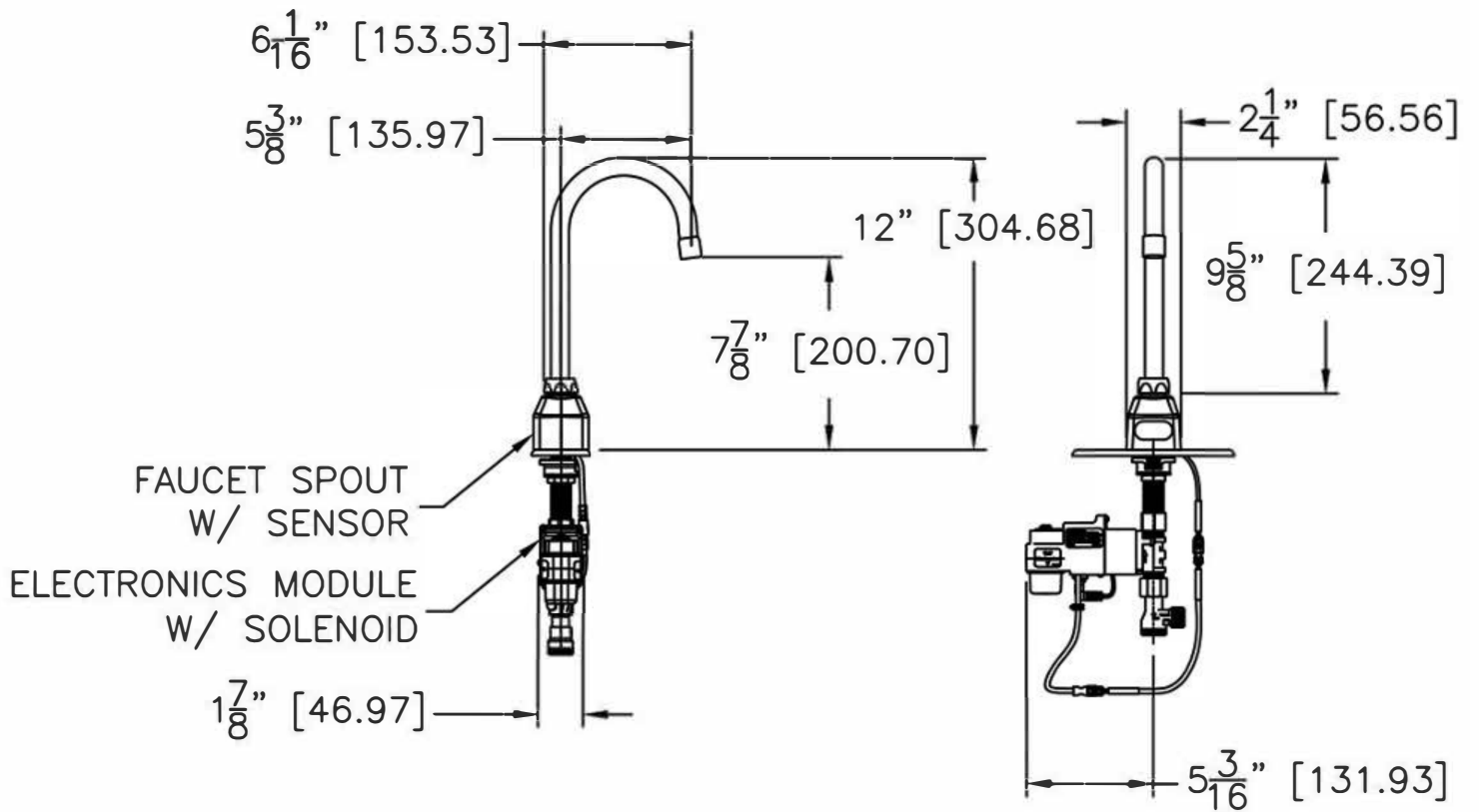
**Although products with certain combinations of options and features will meet or comply with these standards and/or certifications, not every combination of options and features will result in such compliance. If you have any questions about your particular product, please contact our Customer Care Dept. at 1-855-ONE-ZURN (United States) or 1-877-892-5216 (Canada) for confirmation.*

[Installation Guide - FV808.pdf](#)

Architectural/Engineering Approval

Design and dimensional data (inches and [mm]) are subject to manufacturing tolerances and change without notice.

⚠ WARNING: Cancer and Reproductive Harm - www.P65warnings.ca.gov
⚠ ADVERTENCIA: Cáncer y daño reproductivo - www.P65warnings.ca.gov
⚠ AVERTISSEMENT: Cancer et effets néfastes sur la reproduction - www.P65warnings.ca.gov



NOTE: All dimensions are for reference only. Do not use for pre-plumbing.

Design and dimensional data (inches and [mm]) are subject to manufacturing tolerances and change without notice.

⚠ WARNING: Cancer and Reproductive Harm - www.P65warnings.ca.gov

⚠ ADVERTENCIA: Cáncer y daño reproductivo - www.P65warnings.ca.gov

⚠ AVERTISSEMENT: Cancer et effets néfastes sur la reproduction - www.P65warnings.ca.gov