

ADAPTIVE PRO 200W

5-in-1 Dimmable 24V Power Supply

The Adaptive Pro 5-in-1 dimmable drivers are designed to operate with any standard MLV / ELV / Incandescent TRIAC (forward phase) dimmer switch or can also be used with secondary side controls systems. Encased in a sealed low profile aluminum enclosure Suitable for outdoor locations.

- 200W 24V DC constant voltage hardwire driver
- Class I metal housing (Type HL)
- 5-in-1 Forward and Reverse Phase Dimming:
ELV / MLV / TRIAC / 0-10V/ 1-10V/Potentiometer / 10V PWM 4-in-1
- Short circuit, over-voltage, over-temperature, overload protections
- 8" (SJTW) Lead & Tail Wire
- cULus Listed Wet location rated
- Class P, Type HL, FCC Compliant



PROJECT: _____

TYPE: _____

LOCATION: _____

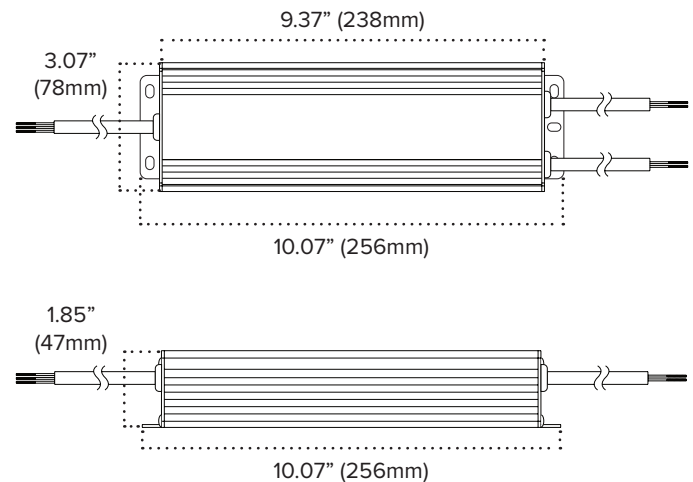
CATALOG NUMBER: _____



ADAPTIVE PRO - 200W QUICK SPECS

SERIES	ADPTPRO 200W
INPUT VOLTAGE	100-277V AC (2.3A Max)
INPUT FREQUENCY	47-63Hz
OUTPUT VOLTAGE	24V DC
RATED CURRENT	8.33A
POWER FACTOR	0.98@120V / 0.95@277V
MIN LOAD	20W
MAX LOAD	200W
EFFICIENCY	> 86% (120V) / 88% (277V)
DIMENSIONS	10.07" (256mm) L x 3.07" (78mm) W x 1.85" (47mm) H
DIMMING	0-100%
STORAGE TEMP	-40°F to 176°F (-40°C to 80°C)
AMBIENT TEMP	-40°F to 140°F (-40°C to 60°C)
OPERATING TEMP	-40°F to 140°F (-40°C to 60°C)
RATING	cULus Listed for Wet locations

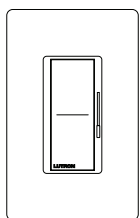
ADAPTIVE PRO - 200W QUICK DIMENSIONS



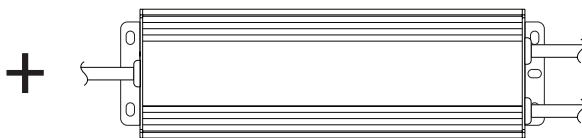
ADAPTIVE PRO - 200W ORDERING INFORMATION

ITEM NUMBER	DESCRIPTION
ADPTPRO-DR-200-24	Adaptive Pro 24V - 200W Power Supply

ADAPTIVE PRO - 200W QUICK SET UP



Dimmer Switch

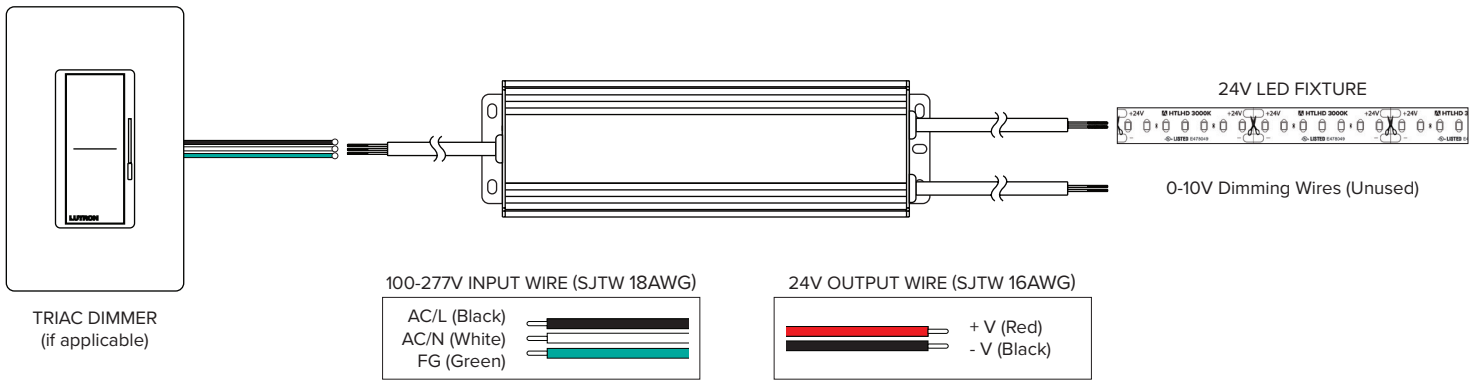


Adaptive Pro 200W Power Supply



24V LED Fixture

ADAPTIVE PRO - 200W TRIAC/ELV/MLV DIMMING WIRING DIAGRAM



ADAPTIVE PRO - 200W 0-10V WIRING DIAGRAM

