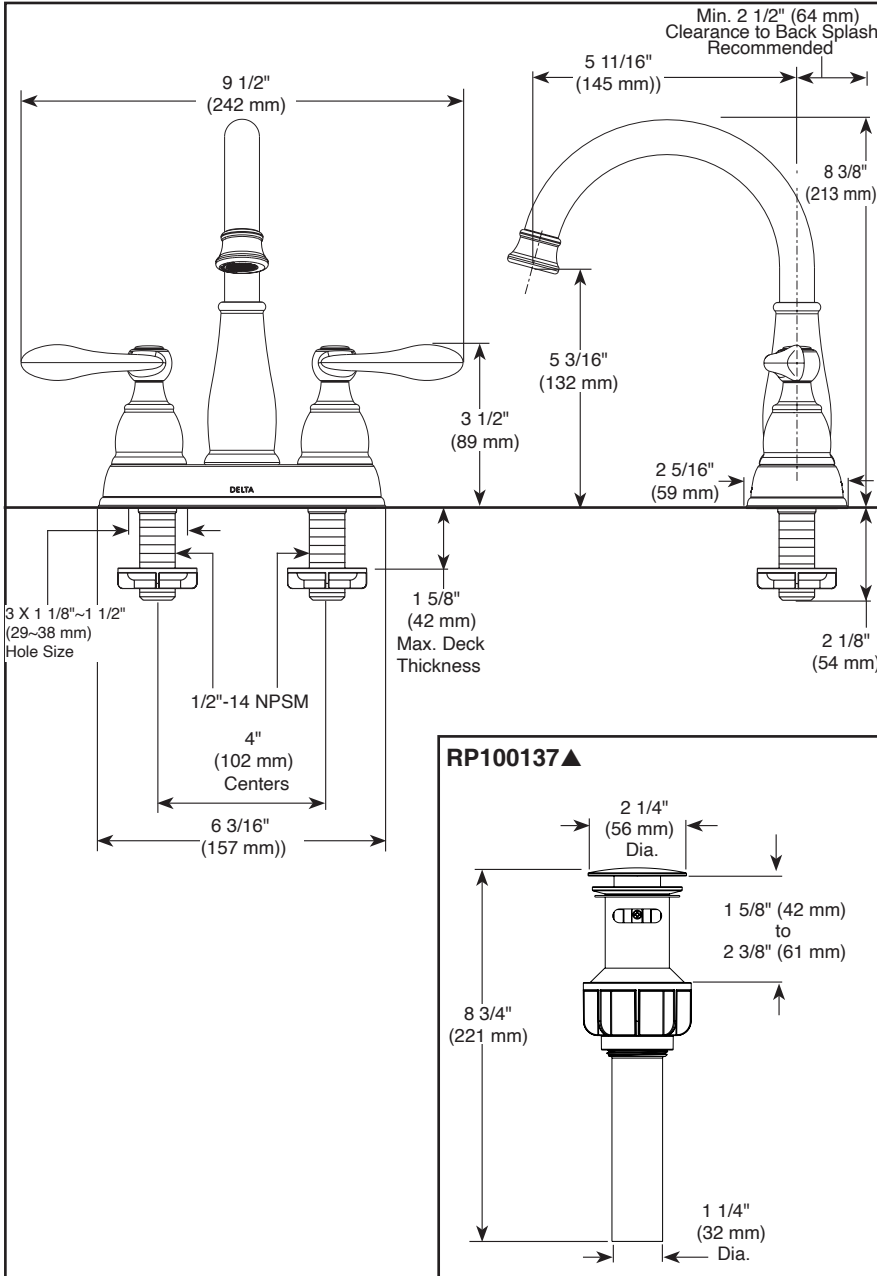


25896LF▲

Submitted Model No.: \_\_\_\_\_

Specific Features: \_\_\_\_\_



▲ Designate proper finish suffix

Delta reserves the right (1) to make changes in specifications and materials, and (2) to change or discontinue models, both without notice or obligation. Dimensions are for reference only. See current full-line price book or [www.deltafaucet.com](http://www.deltafaucet.com) for finish options and product availability.

DSP-L-25896LF Rev. A



see what Delta can do™

## BATHROOM FAUCET

- Windemere® Collection
- Two Handle Deck Mount

### STANDARD SPECIFICATIONS:

- Max flow rate 1.2 gpm @ 60 psi, 4.5 L/min @ 414 kPa.
- Three hole mount.
- Hot and cold stems are interchangeable.
- All operating parts are replaceable from the top.
- 1/4 turn handle stops.
- Solid metal cast body
- 1/2"-14 NPSM threaded male inlet shanks.
- Control mechanism is a rotating cylinder type with stainless steel plate and 90° rotation, with replaceable non-metallic seats.
- Models have push pop-up with over flow.
- Note: Standard mounting thickness can be extended by 1" with RP76691.

### WARRANTY

- Parts and Finish - Lifetime limited warranty; or for commercial purchasers, 10 years for multi-family residential (apartments and condominiums) and 5 years for all other commercial uses, in each case from the date of purchase.
- Electronic Parts and Batteries (if applicable) - 5 years from the date of purchase; or for commercial purchasers, 1 year from the date of purchase. No warranty is provided on batteries.



### COMPLIES WITH:

- ASME A112.18.1 / CSA B125.1
- ASME A112.18.2 / CSA B125.2
- ♿ Indicates compliance to ICC / ANSI A117.1
- EPA WaterSense®

### Delta Faucet Company

55 E. 111th Street, Indianapolis, Indiana 46280  
 350 South Edgeware Road, St. Thomas, Ontario Canada N5P 4L1  
 © 2021 Delta Faucet Company