

Catalog Number
Notes
Type

FEATURES & SPECIFICATIONS

INTENDED USE — The OLCS provides years of maintenance-free general illumination for residential and commercial outdoor applications such as walkways, doorways/entrances, columns, and stairways.

CONSTRUCTION — Rugged cast-aluminum housing is protected by a thermoset powder coat finish that provides superior resistance to corrosion and weathering. A tightly controlled multi-stage process ensures a minimum 3 mils thickness for a finish that can withstand extreme climate changes without cracking or peeling.

Polycarbonate LED lens/cover protects LEDs.

Fixture weight = 2.4 lbs.

OPTICS — 48 high-performance LEDs produce up to 513 lumens and maintain 70% of light output at 50,000 hours of service.

(LED lifespan based on IESNA LM-80-08 results and calculated per IESNA TM-21-11 methodology.)

White polycarbonate diffuser provides a soft white light at 4000K CCT.

See Lighting Facts Labels for specific fixture performance.

ELECTRICAL — Fixture operates at 120 volts, 60 Hz.

Standard input = 8.9 watts.

Operating temperature : -30°C to 40°C.

Amps @ 120V = .076.

Surge protection = 2.5kV.

INSTALLATION — Mounts easily to recessed junction box (by others).

LISTINGS — UL Listed to U.S. and Canadian safety standards for wet locations.

Designed for wall mounting more than 4' above the ground.

Tested in accordance with IESNA LM-79 and LM-80 standards.

WARRANTY — 5-year limited warranty. Complete warranty terms located at www.acuitybrands.com/CustomResources/Terms_and_conditions.aspx

Actual performance may differ as a result of end-user environment and application.

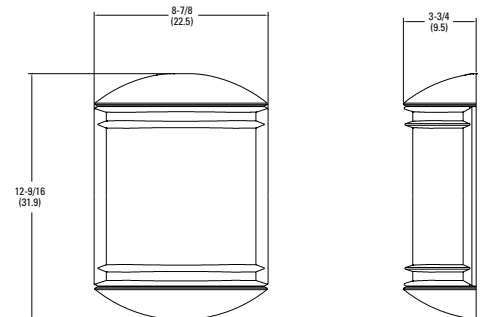
Note: Specifications subject to change without notice.



Outdoor General Purpose

OLCS

OUTDOOR LED CAST SCONCE



All dimensions are in inches (centimeters) unless otherwise indicated.

ORDERING INFORMATION

All configurations of this product are considered "standard" and have short lead times.

Example: OLCS 8 DDB

Series	Light engines	Color temperature (CCT) ¹	Voltage	Finish
OLCS	8	(blank) 4000K	(blank) 120V	DDB Dark bronze WH White

Notes

1 Nominal Correlated Color Temperature (CCT) per ANSI C78.377-2008.

OLCS Outdoor LED Cast Sconce

PHOTOMETRIC DIAGRAMS

To see complete photometric reports or download .ies files for this product, visit www.Lithonia.com. Tested in accordance with IESNA LM-79 and LM-80 standards.

OLCS

