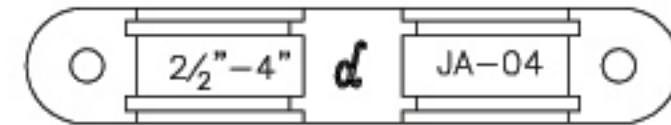
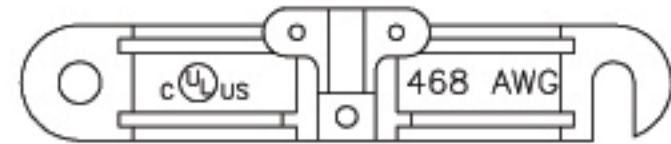
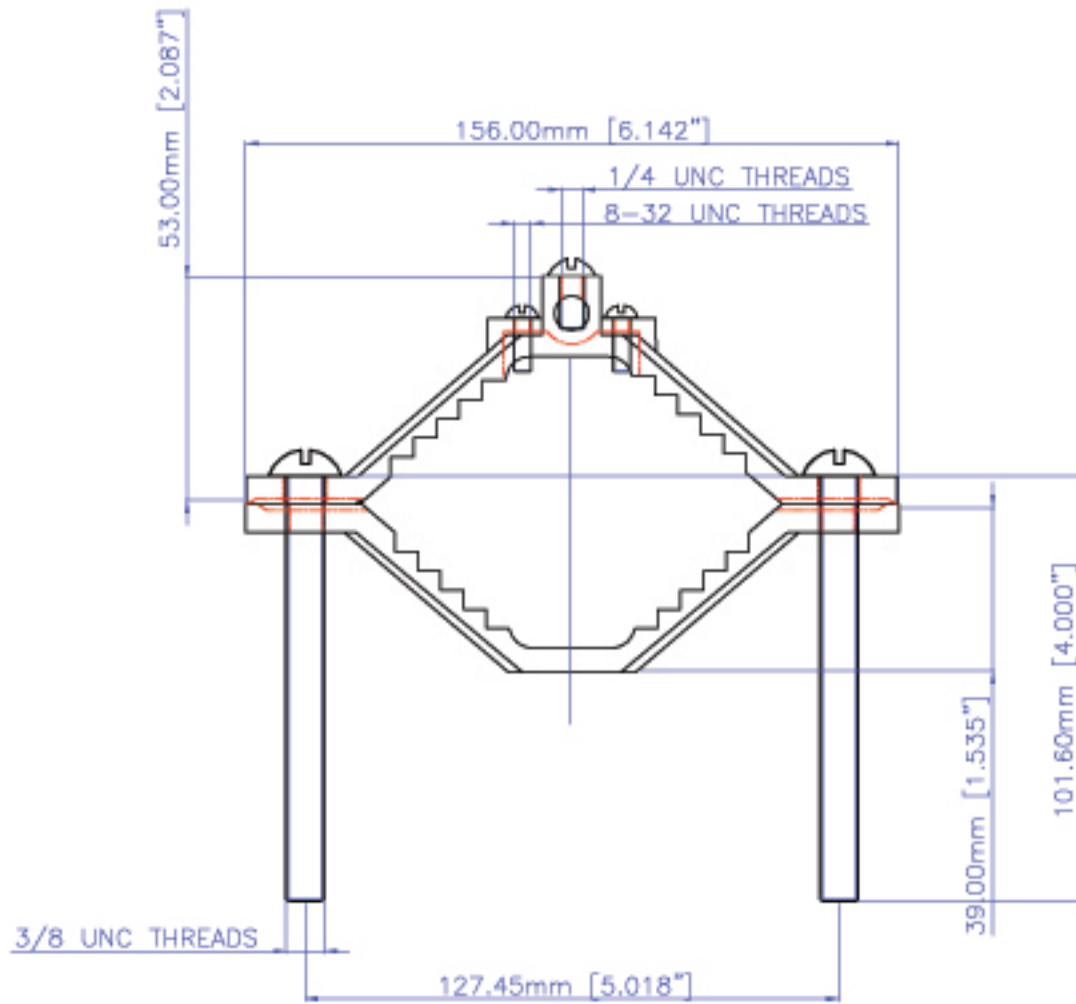


WATER PIPE SIZE	2½" - 4"
CONDUCTOR RANGE	8 sol - 4 str



Dimension shown in mm & (Inches). DO NOT SCALE		Item No	<b>GCA250400</b>	<b>GARVIN</b>
		Name	GROUND CLAMP 2½"-4" ( Armored Wire )	
		Material	COPPER BASE ALLOY	
		Screw	MS , WHITE ZINC PLATED	
Tolerances +-2.5%		Drawn by	V.T.	