

ERHWP

Emergency Light Weather Resistant Remote Heads

The ERHWP Series LED Weather Resistant Remote heads are designed to work with any of NICOR's 3.6VDC LED emergency lighting units with remote capability in a weather-resistant enclosure. This sleek, contemporary design offers fully adjustable heads that complement any environment. The ERHWP Remote heads are available in single or double head configurations.

Construction

- Weather resistant injection molded thermoplastic ABS housing with powder coated die-cast aluminum base
- UL-94 V-0 Flame rating - Flame Retardant
- Adjustable heads for aiming light where required
- Head tilt: $\pm 70^\circ$
- Head rotation: 360°

Optical System

- Precision engineered Prismatic Lens

Electrical

- Input voltage of 3.6VDC
- 1.3 W max per head

Mounting and Installation

- Easy installation into a standard junction box
- Wet Location Rated

Finish

- Gray unpainted ABS plastic
- Gray powder coated aluminum base

Warranty

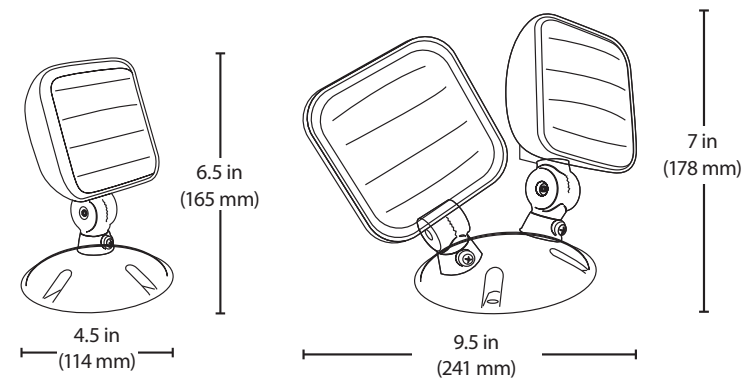
- 1-year limited system warranty standard



ERHWP1

ERHWP2

Both compatible with: EML1, EML3, & EML5



ERHWP1 Product Information	
Input Voltage (VDC)	3.6
Power Draw (W)	1.3
Delivered Lumens (Lm)	128.3
System Efficacy (Lm/W)	98.7
Correlated Color Temp (K)	6000K
Color Rendering Index (CRI)	82

ERHWP2 Product Information	
Input Voltage (VDC)	3.6
Power Draw (W)	2.6
Delivered Lumens (Lm)	256.6
System Efficacy (Lm/W)	98.7
Correlated Color Temp (K)	6000K
Color Rendering Index (CRI)	82



$\pm 70^\circ$ TILT WITH 360° ROTATION

Applications



The ERHWP series can be installed in many applications such as hallways of hospitals, schools, restaurants, event venues and more.

Installation



The ERHWP series installs into a standard junction box.



ERHWP comes in one or two head lamp versions, both with adjustable heads to aim light where its most needed, with $\pm 70^\circ$ tilt and 360° rotation.

Ordering Information		
Series	Version	Housing Color
ERHWP1	1 (Version 1)	GR (gray)
ERHWP2		