

Job Name/Title: _____

Model #: _____

Contractor: _____



LED LOW PROFILE PARKING GARAGE/CANOPY LIGHT

POWER & CCT SELECTABLE WITH UPLIGHT

SUGGESTED APPLICATIONS

- Parking garages
- Exterior canopies
- Stairwells
- Carports

FEATURES

- 12 fixtures in 1 with Power & CCT Selectable technology
- Low profile white die-cast aluminum housing with UV resistant polycarbonate lens
- Uplight reduces dark ceiling areas enhancing light distribution
- Sensor-ready to accept occupancy sensor with audio jack
- Hinged mounting bracket makes installation easy
- Emergency battery backup model available



INPUT VOLTAGE: 120-277V

FREQUENCY: 50/60HZ

POWER FACTOR, THD %:
>0.9;<20%

DIMMABLE: 0-10V,
DOWN TO 10%

SURGE PROTECTION
RATING: 6KV

CRI: 80

BEAM ANGLE: 150°

LIFETIME (L70):
54,000 HOURS

AMBIENT OPERATING
TEMPERATURE:
STANDARD MODEL:
-40°F - 113°F
EM MODEL: 32°F - 113°F

IK (IMPACT RATING): IK08

MOUNTING OPTIONS: WALL
MOUNT, CEILING MOUNT,
PENDANT MOUNT

MOUNTING HEIGHT: 10FT

7FT POWER LEADS



POWER
SELECT



BUILT FOR DURABILITY.
BUILT FOR RELIABILITY.
BUILT FOR WORK.™

800-666-2852 | SOUTHWIRE.COM

©2024 Southwire Company, LLC. All rights reserved.
*Registered Trademark & ™Trademark of Southwire Company, LLC.

Job Name/Title: _____

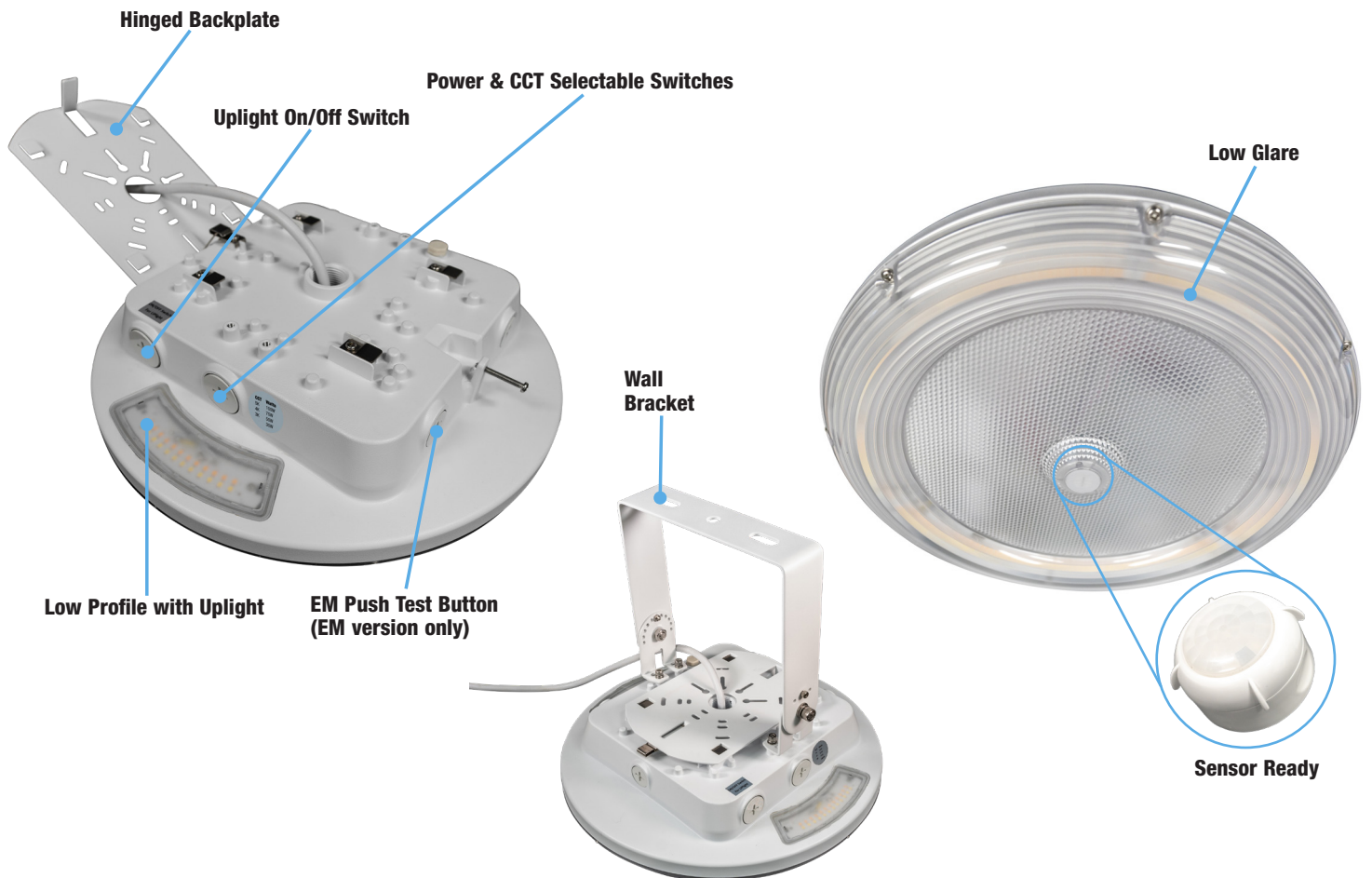
Model #: _____

Contractor: _____



LED LOW PROFILE PARKING GARAGE/CANOPY LIGHT

POWER & CCT SELECTABLE WITH UPLIGHT



NOTES

Dimming with standard 0-10V control system or wall dimmers. Dimming complies with IEC60929 Annex E. Fixture may not be compatible with all dimmers. Dimming performance may vary based on selected dimmer.

Visit southwire.com/led-dimmer-compatibility for up-to-date dimmer compatibility information.

FIVE (5) YEAR LIMITED WARRANTY: SOUTHWIRE COMPANY, LLC. For details visit: <https://southwire.com/resources/warranties>

This device complies with Part 15 of the FCC Rules. Operation is subject to the following two conditions: (1) this device may not cause harmful interference, and (2) this device must accept any interference received, including interference that may cause undesired operation.

CAN-ICES-003B/NMB-003B

Specifications are subject to change without prior notice. Replacement wattage shown depends on application and fixture.

**BUILT FOR DURABILITY.
BUILT FOR RELIABILITY.
BUILT FOR WORK.™**

800-666-2852 | SOUTHWIRE.COM

©2024 Southwire Company, LLC. All rights reserved.
*Registered Trademark & ™Trademark of Southwire Company, LLC.

Job Name/Title: _____

Model #: _____

Contractor: _____



LED LOW PROFILE PARKING GARAGE/CANOPY LIGHT

POWER & CCT SELECTABLE WITH UPLIGHT

ITEM SPECIFICATIONS | ORDER INFO

MODEL #	ORDER CODE	UPC	INPUT VOLTAGE MAX. INPUT CURRENT	POWER SELECTABLE WATTAGE	LUMENS @ 3000K	LUMENS @ 4000K	LUMENS @ 5000K	LPW @ 5000K
GCP-100PCS-WH	76795	032886191565	120-277V 0.92A/0.40A	30W	3,960	4,280	4,190	140
				50W	6,380	6,870	6,960	139
				75W	9,260	10,110	10,125	135
				100W	12,000	13,120	13,310	133
GCP-100PCS-WH-EM	76796	032886193477	120-277V 0.92A/0.40A	30W	3,960	4,280	4,190	140
				50W	6,380	6,870	6,960	139
				75W	9,260	10,110	10,125	135
				100W	12,000	13,120	13,310	133

DEFAULT SETTING: 100W/5000K/UPLIGHT "ON"

DIRECT(DOWNLIGHT)	INDIRECT(UPLIGHT)
100%	0
90%	10%

ORDERING GUIDE

Example: **GCP-100PCS-WH-EM**

PRODUCT	POWER SELECTABLE	CCT SELECTABLE	OPTIONS
GCP = GARAGE CANOPY PARKING	P= 30W/50W/75W/100W	CS=3000K/4000K/5000K	WH = WHITE FINISH EM = EMERGENCY BATTERY BACKUP

DLC INFORMATION

MODEL #	DLC I.D.	DLC CLASSIFICATION	DLC PRIMARY USE
GCP-100PCS-WH GCP-100PCS-WH-EM	PREMIUM	PARKING GARAGE LUMINAIRES	S-YJ4GP

**BUILT FOR DURABILITY.
BUILT FOR RELIABILITY.
BUILT FOR WORK.™**

800-666-2852 | SOUTHWIRE.COM

©2024 Southwire Company, LLC. All rights reserved.
*Registered Trademark & ™Trademark of Southwire Company, LLC.

Job Name/Title: _____

Model #: _____

Contractor: _____



LED LOW PROFILE PARKING GARAGE/CANOPY LIGHT

POWER & CCT SELECTABLE WITH UPLIGHT

ACCESSORIES (SOLD SEPARATELY)

MODEL #	ORDER CODE	UPC	DESCRIPTION
GCP-WB	76797	032886191589	MOUNTING BRACKET
OS-PIR-BT-12V	75850	32886309670	PROGRAMMABLE PIR BLUETOOTH OCCUPANCY SENSOR WITH AUDIO JACK
OS-PIR-12V	75852	32886309663	PIR OCCUPANCY SENSOR WITH AUDIO JACK (REMOTE CONTROL REQUIRED FOR PROGRAMMING)
F-LUHB/RC/G3	72725	751338038509	REMOTE CONTROL FOR OS-PIR-12V PIR OCCUPANCY SENSOR



GCP-WB



OS-PIR-BT-12V



OS-PIR-12V

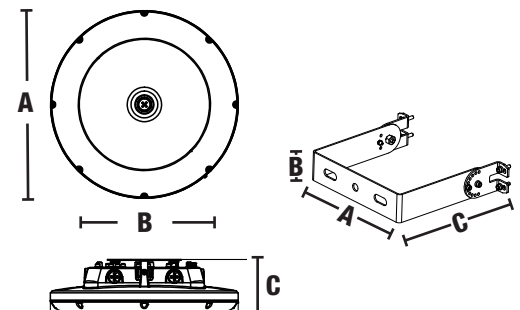


F-LUHB/RC/G3

DIMENSIONS | WEIGHT

MODEL #	A (IN)	B (IN)	C (IN)	WEIGHT (LBS)	PALLET QUANTITY (PCS)* 48"X 40"X 60"
GCP-100PCS-WH	13.58	13.58	3.7	5.7	54
GCP-100PCS-WH-EM				7	
GCP-WB	8.27	1.97	7.31	1.8 LBS	1400

*PALLET QTYS MAY VARY



**BUILT FOR DURABILITY.
BUILT FOR RELIABILITY.
BUILT FOR WORK.™**

800-666-2852 | SOUTHWIRE.COM

©2024 Southwire Company, LLC. All rights reserved.
*Registered Trademark & ™Trademark of Southwire Company, LLC.