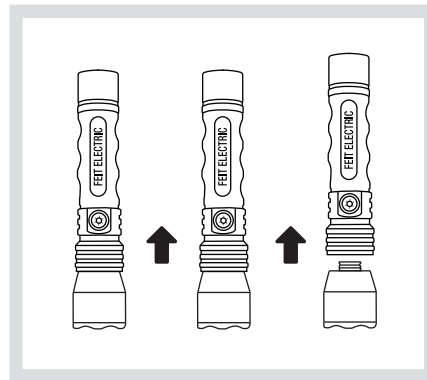
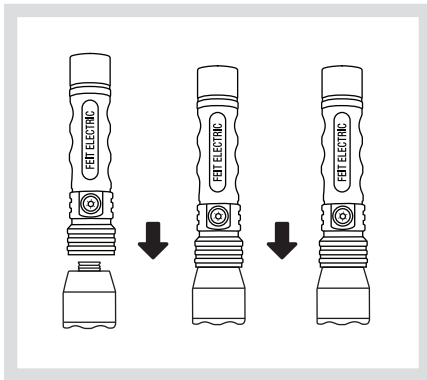


**Make sure it is off when the head is removed.  
The base will remain on without the head.**

1. Attach the light of your choice to the top of the base by pushing down on the light attachment to lock it in place.
2. To remove the light attachment, pull down on the locking ring to release the light attachment.



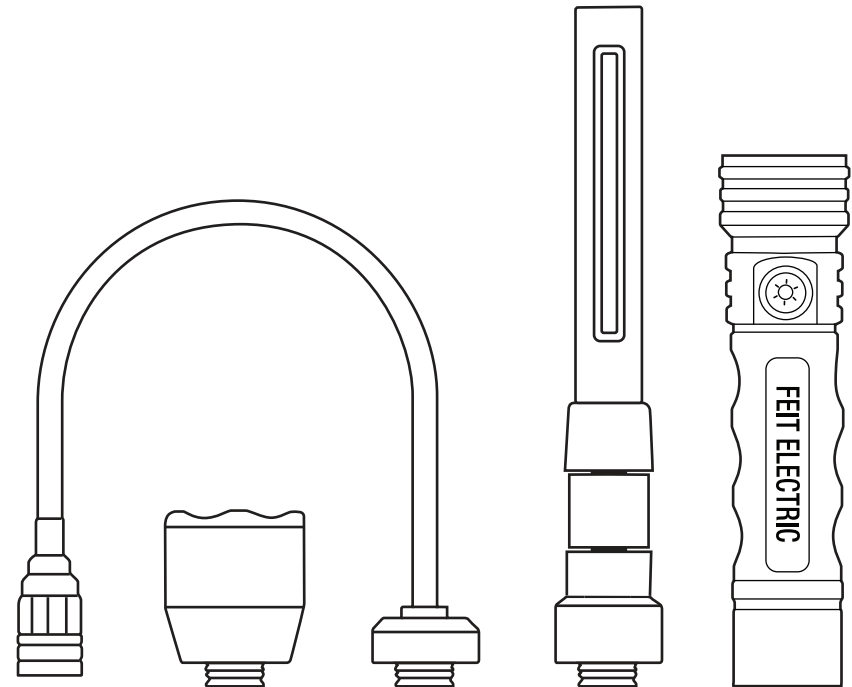
**NOTE:** Turn the light off prior to removing the head. If the light is not turned off, the base will remain on.

## Operation

1. Press and hold the On/Off button for three (3) seconds to turn the light on. Press the On/Off button again to change the mode: High-Middle-Low. Press and hold the On/Off button for three (3) seconds to turn the light off.
2. From off mode, press two (2) times for flash mode.
3. From off mode, press three (3) times for SOS mode.
4. From off mode, press five (5) times for tactical mode.

# 3-IN-1 WORK LIGHT KIT

## IMPORTANT SAFETY INSTRUCTIONS AND INSTALLATION GUIDE



### READ BEFORE INSTALLATION SAVE THESE INSTRUCTIONS

Questions, problems, missing parts? Before returning to the store,  
call Feit Electric Customer Service  
8 a.m. - 5 p.m., PST, Monday - Friday

1-866-326-BULB (2852)

FEIT.COM

We appreciate the trust and confidence you have placed in Feit Electric through the purchase of this 3-IN-1 Work Light Kit. We strive to continually create quality products designed to enhance your home. Visit us online to see our full line of products available for your home improvement needs.

Thank you for choosing Feit Electric.

## Important Safety Information

### READ ALL INSTRUCTIONS

- All Safety and Operating instructions in this manual must be followed before using this product.
- Follow all safe guards stated in the manual, in addition to normal safety precautions in working with electrical devices. Always follow basic safety precautions to reduce the risk of fire, electric shock and personal injury.
- Ground Fault Circuit Interrupter (GFCI) protection is to be provided on the circuit(s) or for the wet location portable luminaire. Receptacles are available having built-in GFCI protection and are able to be used for this measure of safety.
- To reduce the risk of fire, keep away from combustible materials while in operation.
- To reduce the risk of injury, close supervision is necessary when this product is used near children.
- Suitable for Wet Locations
- Do NOT contact hot parts.
- Do NOT handle this work light or try to plug it in when your hands are wet or damp or when standing on a wet or damp surface or in water.
- Never look directly into light sources or LED chips. An LED is extremely bright and can damage eyes with prolonged exposure.



**WARNING: RISK OF SHOCK.** House electric current can cause painful shock or serious injury unless handled properly.



**WARNING:** When using outdoor use portable luminaires, basic safety precautions should always be followed to reduce the risk of fire, electric shock, and personal injury.



**WARNING:** Use only three-wire extension cords that have three-prong grounding plugs and grounding receptacles that accept the appliance's plug. Do not use an extension cord near water or in areas where water may accumulate. Keep away from pools or spas. Keep plugs dry.



**CAUTION:** This portable light-emitting diode (LED) luminaire has a polarized plug (one blade is wider than the other) as a feature to reduce the risk of electric shock. This plug will fit in a polarized outlet only one way. If the plug does not fully fit in the outlet, reverse the plug. If it still does not fit, contact a qualified electrician. Do not alter the plug.

### FCC STATEMENT

This device complies with part 15 of the FCC Rules. Operation is subject to the following two conditions: (1) This device may not cause harmful interference, and (2) this device must accept any interference received, including interference that may cause undesired operation. Note: This equipment has been tested and found to comply with the limits for a Class B digital device, pursuant to part 15 of the FCC Rules. These limits are designed to provide reasonable protection against harmful interference in a residential installation. This equipment generates, uses and can radiate radio frequency energy and, if not installed and used in accordance with the instructions, may cause harmful interference to radio communications. However, there is no guarantee that interference will not occur in a particular installation. If this equipment does cause harmful interference to radio or television reception, which can be determined by turning the equipment off and on, the user is encouraged to try to correct the interference by one or more of the following measures: Reorient or relocate the receiving antenna. Increase the separation between the equipment and receiver. Connect the equipment into an outlet on a circuit different from that to which the receiver is connected. Consult the dealer or an experienced radio/TV technician for help. Any changes or modifications not expressly approved by the manufacturer could void the user's authority to operate the equipment. Feit Electric Company, 4901 Gregg Road, Pico Rivera, CA 90660. [www.feit.com](http://www.feit.com).

## SAVE THESE INSTRUCTIONS

### Maintenance and Care

1. Always make sure that the power source conforms to the requirements on the fixture.
2. Do not inspect or service the fixture while charging.
3. **CAUTION:** Keep dry. Do not open, drop, short-circuit, incinerate, expose to temperatures higher than 140 degrees Fahrenheit, or charge/use if damaged.
4. People with pacemakers should consult their physician(s) before use. Electromagnetic fields in close proximity to heart pacemaker could cause pacemaker interference or pacemaker failure.
5. This fixture is not explosive-proof. Do not use in potentially dangerous locations, such as in flammable or explosive atmospheres.
6. Never operate the light with the clear protective glass broken or removed.
7. Never look directly into the light source. LED's are extremely bright and can damage eyes with prolonged exposure.
8. Keep away from heating vents, radiators, or other sources of heat.
9. Keep out of reach of children.
10. Intended for indoor and outdoor use.

### Limited Warranty

This product is warranted to be free from defects in workmanship and materials for up to 3 years from date of purchase. If the product fails within the warranty period, please contact Feit Electric at [info@feit.com](mailto:info@feit.com), visit [feit.com/contact-us](http://feit.com/contact-us) or call 1-866-326-BULB (2852) for instructions on replacement or refund. REPLACEMENT OR REFUND IS YOUR SOLE REMEDY. EXCEPT TO THE EXTENT PROHIBITED BY APPLICABLE LAW, ANY IMPLIED WARRANTIES ARE LIMITED IN DURATION TO THE DURATION OF THIS WARRANTY. LIABILITY FOR INCIDENTAL OR CONSEQUENTIAL DAMAGES IS HEREBY EXPRESSLY EXCLUDED. Some states and provinces do not allow the exclusion of incidental or consequential damages, so the above limitation or exclusion may not apply to you. This warranty gives you specific legal rights, and you may also have other rights which vary from state to state or province to province.

## Lithium Battery Safety

Lithium batteries store a large amount of energy and will vent fire or explode if mistreated. Keep work light dry.

**NOTE:** Before using the work light for the first time, fully charge the battery.

### Do not do any of the following to the battery pack:

1. Drop
2. Open
3. Short-circuit
4. Puncture
5. Incinerate
6. Expose to temperatures greater than 140 degrees Fahrenheit

### Change work light according to these instructions.

### Specifications

#### General:

#### Input Rating:

5V DC (TYPE-C charging cord can fit in with any regular 5V charger)

#### Battery:

Li-ion 21700 Type 3.7V, 4000mAh

#### Charging Time:

4-5 hours (based on 1-A)

#### Water Resistance:

IP54

#### FOLDING LIGHT:

##### \*BRIGHTNESS LEVEL & BATTERY LIFE

Brightness level		Run Time
High	600 Lumens	3 Hours
Medium	300 Lumens	6 Hours
Low	140 Lumens	12 Hours

#### FLEX NECK LIGHT:

##### \*BRIGHTNESS LEVEL & BATTERY LIFE

Brightness level		Run Time
High	250 Lumens	5 Hours
Medium	150 Lumens	7 Hours
Low	100 Lumens	12 Hours

#### SPOTLIGHT:

##### \*BRIGHTNESS LEVEL & BATTERY LIFE

Brightness level		Run Time
High	1000 Lumens	2 Hours
Medium	350 Lumens	4 Hours
Low	150 Lumens	12 Hours

### Package Contents

The 3-IN-1 Work Light kit includes:

- Interchangeable flashlight
- Slim bar work light
- Flex neck light
- Hard Plastic Carrying Case

### Battery Charging

1. Insert the end of the charging cable into the charging jack, located on the side of the handle, under a cover.
2. Plug the charging cable into a powered USB port.
3. The charging indicator button will light up red during charging. After approximately 4-5 hours the charging indicator button will turn blue, indicating that the work light is charged and ready for use. Unplug the charging cable once work light is fully charged.