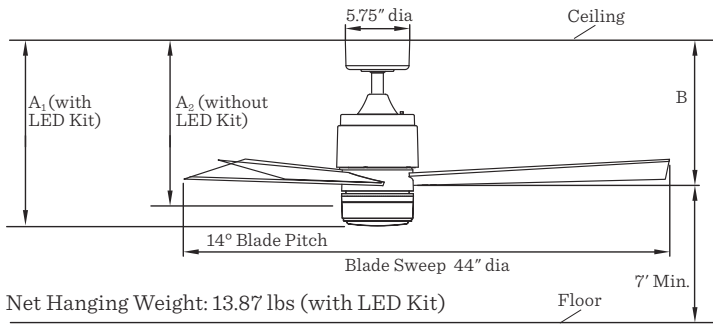


SCHOOLHOUSE



	A ₁ (With LED Kit)	A ₂ (Without LED Kit)	B
Fan with 4.5" Downrod	17.05"	14.59"	13.09"
Fan with 12" Downrod	24.55"	22.09"	20.59"
Fan with 18" Downrod	30.55"	28.09"	26.59"
Fan with 24" Downrod	36.55"	34.09"	32.59"
Fan with 36" Downrod	48.55"	46.09"	44.59"
Fan with 48" Downrod	60.55"	58.09"	56.59"
Fan with 60" Downrod	72.55"	70.09"	68.59"
Fan with 72" Downrod	84.55"	82.09"	80.59"

Airflow/Energy Efficiency Info (120V)

Fan Speed	High	Medium	Low
Max RPM	163	115	88
CFM	4841	3372	2426
CFM/Watts	99	116	163
Amps	.41	.37	.22
Watts	49	29	15

Light Bulb Information (120V)

Bulb Type	LED
Watts	18
QTY	1
Lumens Amount	1400
Color Temp	3000
CRI	90%

Engery Guide FTC

Power (W _{ave})	32
Total Air Delivery (CFM _{ave})	3185
Estimated Yearly Energy Cost (\$)	9
Ceiling Fan Efficiency (CFM/W)	98

Zonix 44" LED Ceiling Fan

Shown in Matte White with LED Light Kit

INSTALLATION REQUIREMENTS:

Ceiling fan attaches to electrical junction box securely anchored and capable of withstanding a load of at least 35 lbs.

ELECTRICAL REQUIREMENTS:

Requires a grounded electrical supply line of 120 volts AC, 60 Hz, 15 amp circuit.

MOTOR SPECS:

153 x 18 AC motor is designed for optimal performance with this fan.

BLADE SET:

A set of three 20" all weather composite blades

LIGHTING OPTIONS:

One removeable 18-watt dimmable LED included.

CONTROL OPTIONS:

Hand-held remote control is included. Push button remote control with variable fan speeds, infinite light levels, fan/light timer and off button.

DOWNROD OPTIONS:

Fan comes with 1" dia. x 4.5" long wet-location downrod. Optional wet-location downrods are available in 12", 18", 24", 36", 48", 60", and 72" lengths. Fan can be mounted on a sloped ceiling up to 27°. Most sloped ceiling installations require a downrod longer than the standard 18" downrod. Optional close-to-ceiling kit is available. Call technical support for more information.

LOCATION USE:

Fan is rated for dry, damp and wet locations.

AVAILABLE FINISHES:

