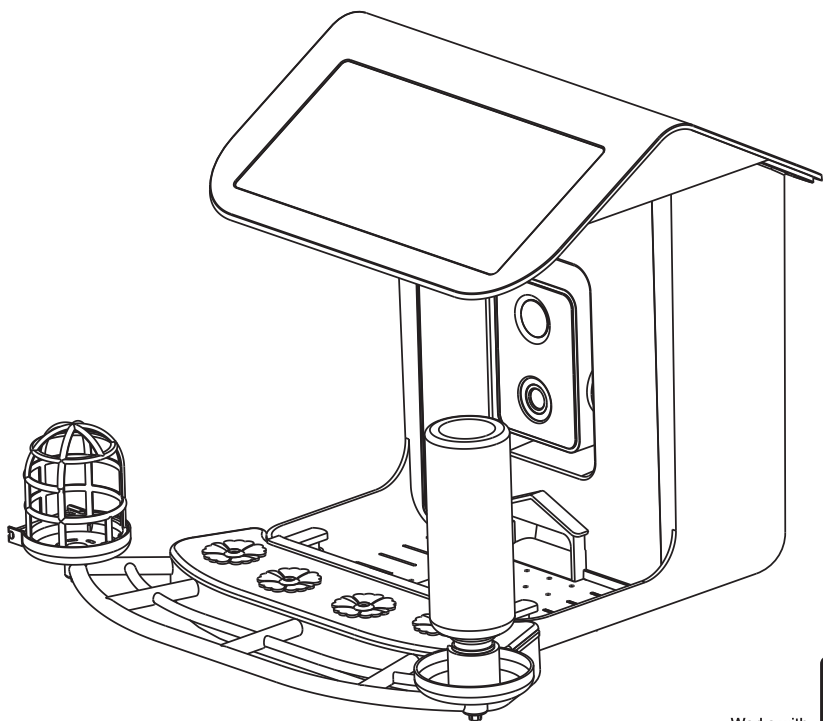


BIRD GENIUS A.I. SOLAR CAMERA BIRD FEEDER

IMPORTANT SAFETY INSTRUCTIONS AND INSTALLATION GUIDE



Works with
Feit Electric App



Only supports
2.4GHz Wi-Fi
Networks

**READ BEFORE INSTALLATION.
SAVE THESE INSTRUCTIONS.**

Questions, problems, missing parts?
Before returning to store, visit feit.com/help for further assistance.

Table of Contents

Safety Information	2	Camera	5
FCC Statement	2	Mounting and Installation	6-7
Limited Warranty	2	App Setup	7
Pre-Installation	3	Need Help?	7
Description	4	Troubleshooting Tips	8

Safety Information

PLEASE READ BEFORE INSTALLING!

IMPORTANT SAFEGUARDS:

ALWAYS FOLLOW BASIC SAFETY PRECAUTIONS WHEN USING ELECTRICAL PRODUCTS, ESPECIALLY WHEN CHILDREN ARE PRESENT.



CAUTION: This product is not user-serviceable. Do not attempt to open the product enclosure for any reason.

Before installing your Bird Genius Solar Camera Bird Feeder, thoroughly review enclosed installation guide.



NOTE: Intended for outdoor use.



CAUTION: Contains one 5200 mAh rechargeable lithium-ion battery. Risk of fire, explosion, or burns. Do not disassemble. Do not crush or damage the battery. Do not heat or incinerate. Do not open or disassemble. Do not make modifications to this product.



WARNING: This product may represent a possible shock or fire hazard if improperly installed or attached in any way. Product should be installed in accordance with the owner's manual, current electrical codes and/or the current National Electric Code (NEC).

RISK OF ELECTRIC SHOCK: Turn off the main power at the circuit breaker before installing.

Supplier's Declaration of Conformity: 47 CFR § 2.1077 Compliance Information

Responsible Party: Feit Electric Company, 4901 Gregg Road, Pico Rivera, CA 90660, USA

Unique Identifier: CAM/BIRD/WIFI

This device complies with part 15 of the FCC Rules. Operation is subject to the following two conditions: (1) This device may not cause harmful interference, and (2) this device must accept any interference received, including interference that may cause undesired operation. Note: This equipment has been tested and found to comply with the limits for a Class B digital device, pursuant to part 15 of the FCC Rules. These limits are designed to provide reasonable protection against harmful interference in a residential installation. This equipment generates, uses and can radiate radio frequency energy and, if not installed and used in accordance with the instructions, may cause harmful interference to radio communications. However, there is no guarantee that interference will not occur in a particular installation. If this equipment does cause harmful interference to radio or television reception, which can be determined by turning the equipment off and on, the user is encouraged to try to correct the interference by one or more of the following measures: Reorient or relocate the receiving antenna. Increase the separation between the equipment and receiver. Connect the equipment into an outlet on a circuit different from that to which the receiver is connected. Consult the dealer or an experienced radio/TV technician for help. Any changes or modifications not expressly approved by the manufacturer could void the user's authority to operate the equipment.

Radiation Exposure Statement

This device complies with FCC radiation exposure limits set forth for an uncontrolled environment. This device should be installed and operated with a minimum distance of 20cm between the radiator and your body.

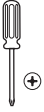
The device can be used in portable exposure condition without restriction.

The device can be used in mobile (min 7.87 in.) exposure condition without restriction.

Limited Warranty

This product is warranted to be free from defects in workmanship and materials for up to 1 year from date of purchase. If the product fails within the warranty period, please visit feit.com/help for instructions on replacement/refund. REPLACEMENT OR REFUND IS YOUR SOLE REMEDY. EXCEPT TO THE EXTENT PROHIBITED BY APPLICABLE LAW, ANY IMPLIED WARRANTIES ARE LIMITED IN DURATION TO THE DURATION OF THIS WARRANTY. LIABILITY FOR INCIDENTAL OR CONSEQUENTIAL DAMAGES IS HEREBY EXPRESSLY EXCLUDED. Some states and provinces do not allow the exclusion of incidental or consequential damages, so the above limitation or exclusion may not apply to you. This warranty gives you specific legal rights, and you may also have other rights which vary from state to state or province to province.

TOOLS REQUIRED TO MOUNT SOLAR CAMERA BIRD FEEDER (NOT INCLUDED)



PHILLIPS
SCREWDRIVER



PENCIL



POWER DRILL

HARDWARE INCLUDED



NOTE: Hardware not shown to actual size.



AA



BB



CC



DD



EE



FF



GG



HH



II



JJ



KK



LL



MM



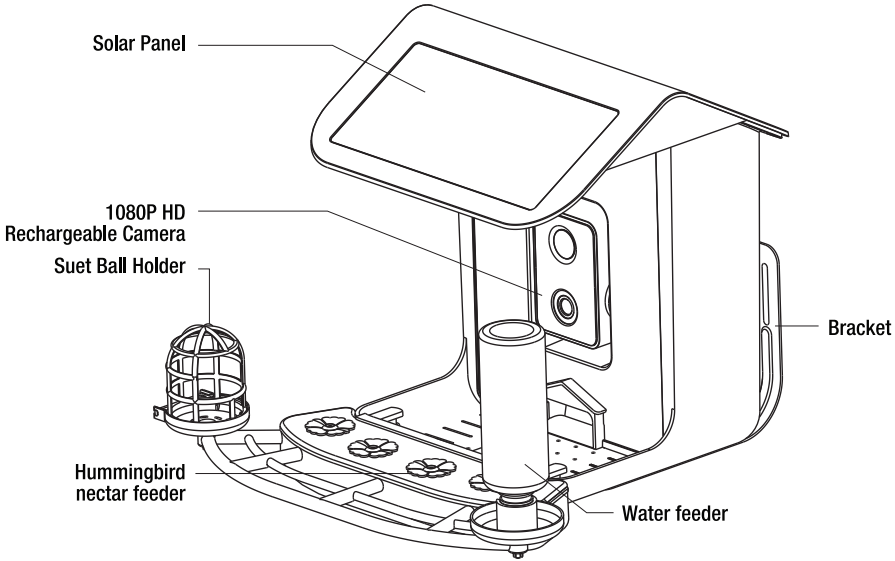
NN



OO

Part	Description	Quantity
AA	Bird feeder	1
BB	Hummingbird nectar feeder	1
CC	Water feeder	1
DD	Suet ball holder	1
EE	Mounting bracket	1
FF	Top cover screws	2
GG	Drill template	1
HH	Bracket connector	1
II	Mounting screws	3
JJ	Mounting anchors	4
KK	Bracket screws	4
LL	Reset pin	1
MM	Perch screws	2
NN	USB charging cable	1
OO	Waterproof rubber	1

Bird Feeder



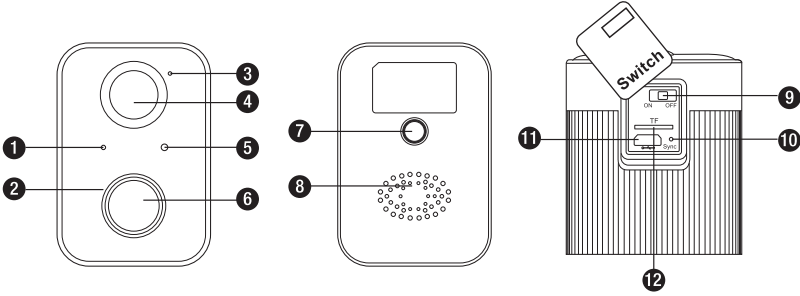
Bird Feeder Specifications

Charging	Solar panel and USB cable
Battery	5200 mAh Rechargeable Lithium-Ion Battery
Resolution	2.0 Megapixel Photos and 1080P HD Live Stream Video
Operating Temperature	-5°F to 120°F (-20.5°C to 48.5°C)
Wireless Type	WiFi 2.4GHz
Field of View	Diagonal: 130°, Horizontal: 94°, Vertical: 40°
Dimension	L9.45 x W8.66 x H11.02 inches (24 x 22 x 28 cm)
Power Supply	DC 5V2A
Power Consumption	2W(Max.)
Battery Life	4-6 months
Night Visual Range	8m(Max)
Anti-flicker	50HZ /60HZ

Solar Panel Specifications

IPCE	19%
Working Voltage (Vmp)	6V±5%
Working Current (Imp)	400mA±5%
Open Circuit Voltage (VOC)	7.2V±5%
Short-Circuit Current (ISC)	480mA±5%

Camera



- 1 Indicator Light
- 2 Infrared LED
- 3 Microphone
- 4 Motion sensor
- 5 Light sensor
- 6 Lens
- 7 Mounting hole
- 8 Speaker
- 9 Power ON/OFF
- 10 Sync/Reset
- 11 Charging port
- 12 Card slot (Capacity expansion 128G)

 **NOTE:** Refer to Page 7 for app setup.

Item	Description
Indicator Light	<ul style="list-style-type: none"> • Solid red = Camera ON • Blinking red = Pairing Mode • Blinking green = Connecting to Wi-Fi • Solid green = Connected to Wi-Fi
Reset Button	Using reset pin (LL), press and hold for five seconds or until you hear an audible tone to reset the bird feeder camera.
Micro USB Power	5VDC, Max. 1A
Charging LED Indicator	<ul style="list-style-type: none"> • Solid white: Battery is charging. • Light off: Charging is complete.
Battery Capacity	5200mAh (contains two 18650 non-replaceable lithium-ion batteries).
ON/OFF Switch	Power the bird feeder camera on or off.
SD Card Slot	Use up to a 128GB MicroSD card to enable recording (sold separately). Only supports MicroSD card with FAT32 format.

Charging the Camera

1. Rotate the camera down.
2. Connect the solar charging cable. **OPTIONAL-** Remove the camera and charge it with the USB charging cable.



1 Select a Suitable Location

Select a location where the bird feeder solar panel (AA) receives the most sunlight throughout the year.



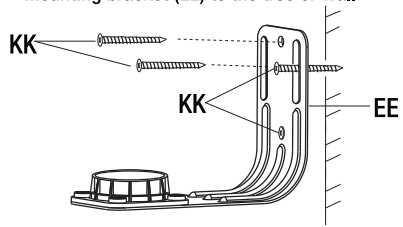
NOTE: The solar panel only needs a few hours of direct sunlight to sufficiently power the camera daily.



NOTE: The amount of energy that the solar panel can produce is affected by weather conditions and seasonal changes.

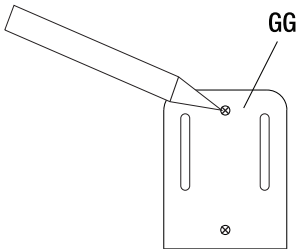
4 Attaching the Mounting Bracket

Use the bracket screws (KK) to attach the mounting bracket (EE) to the tree or wall.



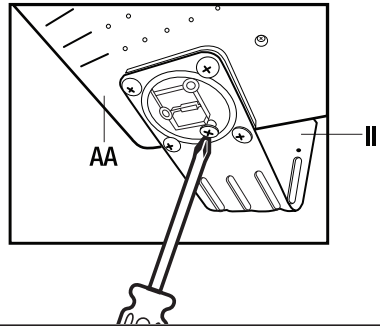
2 Mark Screw Positions

Use a pencil and the drill template (GG) to mark the screw positions on a tree or a wall.



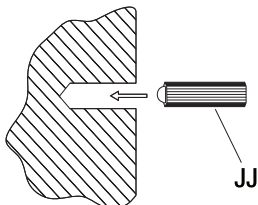
5 Placing the Bird Feeder into the Mounting Bracket

Install the bird feeder (AA) into the mounting bracket (EE). Align the three holes underneath. Fix the bird feeder with three short screws.



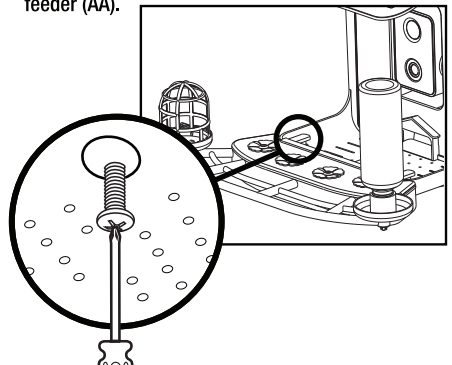
3 Drill Holes and Insert Mounting Anchors

Drill holes at the marked points. If installing on a hard surface such as concrete or brick, insert the mounting anchors (JJ) into the holes. You can skip this step if installing on wood or siding.

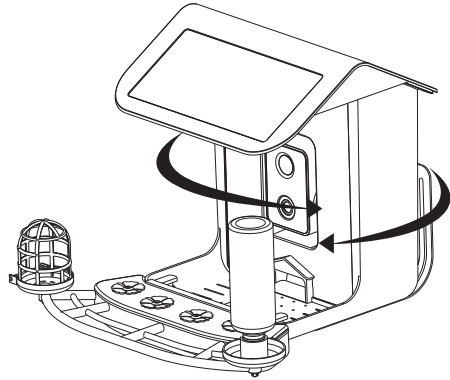


6 Installing the Hummingbird Nectar Feeder

Use a Phillips screwdriver to remove the existing perch. Use the existing perch screws (MM) to secure the hummingbird nectar feeder (BB) to the bird feeder (AA).



7 The Bird Feeder (AA) can rotate left and right.



APP Setup

Download and install the Feit Electric App

- Search for the Feit Electric App in the App Store or Google Play Store.
- Download and install the Feit Electric App on your smart device.

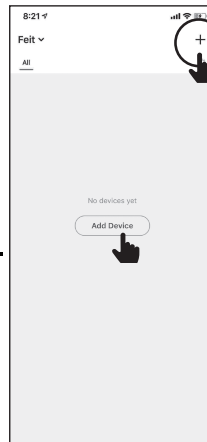


Feit Electric App



Set up the Solar Bird Camera Feeder using the Feit Electric App

- Check to be sure the solar bird camera feeder is in pairing mode. The red status light must be blinking rapidly to connect. If the light is not blinking, press and hold the reset button for five seconds (until you hear an audible tone). Use the Feit Electric App to complete the setup.
- Turn on Bluetooth. Tap Add Device or the + sign. Select Solar bird camera feeder. You will be prompted to enter your Wi-Fi network and password.
- Follow the directions in the Feit Electric App to pair your device using the QR code.
- You can find more pairing methods in the drop-down menu on the device set up page.



Be sure to connect to a 2.4 GHz Wi-Fi network that covers your installation location.

Need Help?

Thank you for your purchase.
Questions, comments or feedback?
We'd love to hear from you.
For additional help, scan the QR code.



Visit feit.com/help for support or connect with us: @FeitElectric @FeitElectricInc feitelectricleighting

PROBLEM	CORRECTIVE ACTION
Solar Camera Bird Feeder will not power up	<ul style="list-style-type: none"> After completing installation, make sure your Bird Feeder camera is in the on position. If the solar camera bird feeder does not power on, charge with a USB 5V Charger and Micro USB Cable.
Solar Camera Bird Feeder will not connect to my Wi-Fi network	<ul style="list-style-type: none"> Make sure the LED is blinking red. If the LED is not blinking red, press and hold reset button for five seconds or until you hear an audible tone. Make sure the Wi-Fi network is a 2.4GHz network. Device will not connect to a 5GHz network. Test your Wi-Fi network with other devices such as your phone or computer to make sure it is operating properly. The Wi-Fi connection may be out of range during pairing. Use your phone to check the Wi-Fi signal strength, it is recommended to have at least two signal bars showing for proper connection. Your Wi-Fi network password is case sensitive, make sure you are entering it correctly.
The Solar Camera Bird Feeder is offline	<ul style="list-style-type: none"> There could be a temporary issue with your internet connection (e.g., service disruption). Please try again in a few minutes. Make sure your Wi-Fi router is turned on. The solar camera bird feeder may not have power to it, make sure the switch on the camera is in the on position. Make sure the solar camera bird feeder is getting a good signal from your Wi-Fi router. Use your phone to check the Wi-Fi signal strength (at least two signal bars is recommended for reliable connection). The solar camera bird feeder may have been disconnected from your Wi-Fi network. Press and hold the reset button until you see a blinking red LED and hear an audible tone. Follow directions in the app setup section of the manual to re-connect the solar camera bird feeder to your Wi-Fi network.
What do the blinking LEDs mean?	<ul style="list-style-type: none"> Blinking RED = Pairing Mode Solid RED = Rebooting Blinking GREEN = No Wi-Fi Connection Solid GREEN = Connected to Wi-Fi
Live video stream is slow to load	<p>Solar camera bird feeder streaming issues may be caused by any of the following:</p> <ul style="list-style-type: none"> Your phone's cellular connection, which relies on mobile coverage. Limited internet bandwidth at home. For example, other video streaming services running at the same time on your network can cause congestion slowing down the internet upload and download speeds. Wi-Fi reception may not be stable or work reliably if the solar camera bird feeder's Wi-Fi signal strength is less than two signal bars. You may need to install a Wi-Fi repeater or extender to boost the Wi-Fi signal.
How do I reset the Solar Bird Camera Feeder to re-enter pairing mode?	<ul style="list-style-type: none"> Using the reset pin, press and hold the reset button located at the bottom of the solar camera bird feeder until you see a blinking red LED and hear an audible tone.
The Solar Bird Camera Feeder is not recording	<ul style="list-style-type: none"> Under the SD Card and Record Settings in the Feit Electric App, make sure the record switch is turned on. Make sure that the MicroSD card is installed correctly. To confirm that the solar camera bird feeder is recognizing the MicroSD card, go to the settings menu in the Feit Electric App. Then, go to the SD Card and Record Settings menu and make sure the MicroSD card capacity menu shows total, used, and free space. If this does not appear, consider reformatting the MicroSD card. <p>WARNING: Reformatting MicroSD card will delete all videos stored on card. Please go through the troubleshooting section before doing so or contact our Customer Support Team.</p>
How do I set the Solar Bird Camera Feeder to Event or Continuous Recording?	<ul style="list-style-type: none"> In the Settings menu under SD Card and Record Settings, make sure record switch is turned on, and then select Event Recording or Continuous Recording.
How can I check the available space on the MicroSD Card?	<ul style="list-style-type: none"> In the settings menu under SD Card and Record Settings, you will see Used Space and Free Space. Note: Solar Camera bird feeder only supports 128GB or less MicroSD cards with FAT32 format. (MicroSD card NOT INCLUDED.)
What happens when the MicroSD card reaches full capacity?	<ul style="list-style-type: none"> Once the MicroSD card reaches full capacity, new videos will start rewriting (deleting) over the oldest videos.
Can I use a new MicroSD card if I do not want to record over existing videos?	<ul style="list-style-type: none"> Yes, you can use a new MicroSD card if you do not want to record over existing videos. Remove the existing MicroSD card from the back of the solar camera bird feeder and replace a new one not exceeding 128GB capacity. Once this is completed, format the new MicroSD card by going to the SD Card and Record Settings and pressing Format SD Card, then Confirm. <p>WARNING: Reformatting MicroSD card will delete all videos stored on card. Please go through the troubleshooting section before doing so or contact our Customer Support Team.</p>

SD™, MicroSD™, and SDHC™ are trademarks or registered trademarks of SD-3C, LLC in the United States, other countries, or both.