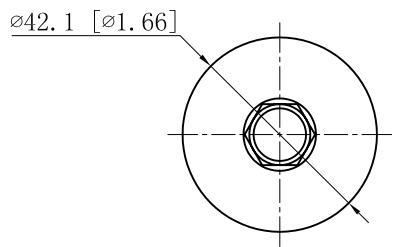
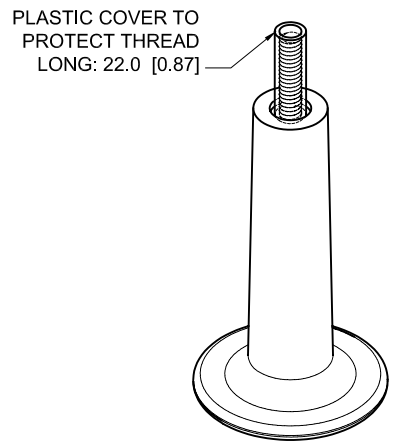
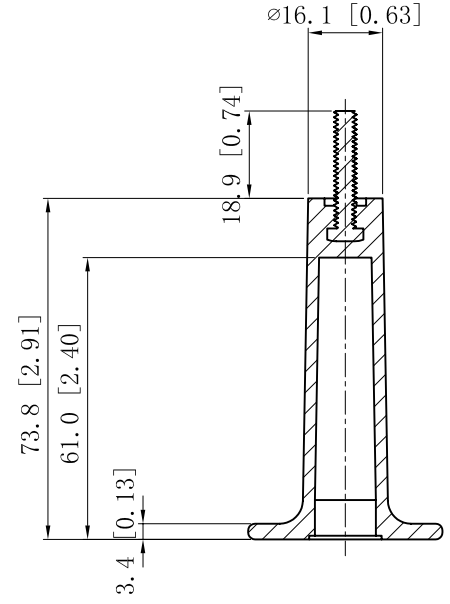
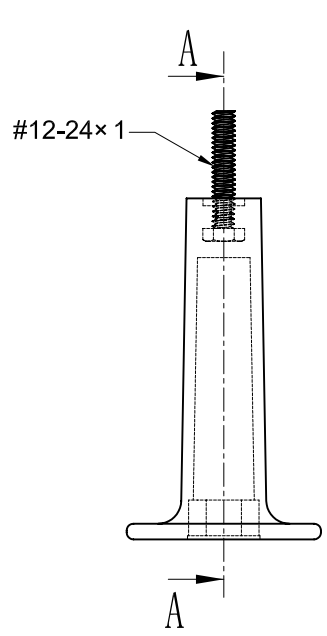


SIDES	BOTTOM
#12-24×1 screw Instal	
Material:ABS, Color: Black	



CUTAWAY VIEW A-A

This data sheet is for reference only .GARVIN INDUSTRIES reserves the right to make changes to the design without prior notice.

DESCRIPTION
TRADE REFERENCE TERMS

STANDARD PACKING	<h1 style="text-align: center;">GARVIN INDUSTRIES</h1> <h2 style="text-align: center;">WIRE DISTRIBUTION SPOOLS</h2>			
100 PCS				
	TITLE	SIZE	DWG NO.	REV
		A4	WDSMS	
	DATA SHEET			