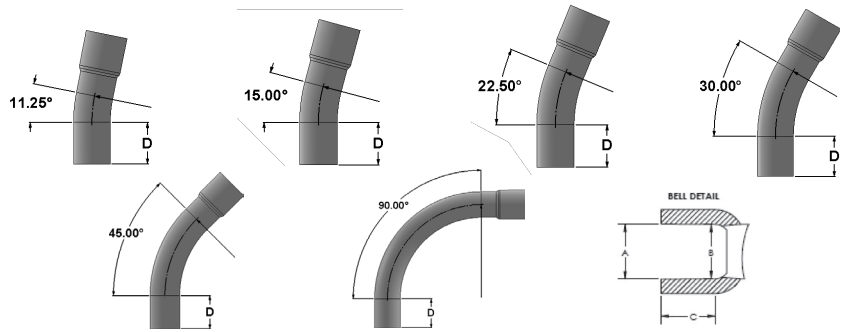


PVC Schedule 40 and 80 Elbows

11.25°, 15°, 22.5°, 30°, 45°, 90°

- Conforms to UL 651 and NEMA TC 3
- Sunlight resistant per UL 651
- Listed for 90° C conductors or cable



Trade Size	Dimensions (in)			
	Bell Entrance A	Bell Bottom B	Bell Length C	Tangent Length D
1/2	0.852	0.836	1.250	1.750
3/4	1.064	1.046	1.250	1.750
1	1.330	1.310	1.625	2.125
1 1/4	1.677	1.655	1.750	2.250
1 1/2	1.918	1.894	2.250	2.250
2	2.393	2.369	2.250	2.250
2 1/2	2.890	2.868	2.750	3.250
3	3.515	3.492	2.875	3.375
3 1/2	4.015	3.992	3.000	3.500
4	4.515	4.491	3.500	3.625
5	5.593	5.553	4.375	4.625
6	6.658	6.614	5.250	5.500
8*	8.670	8.610	6.250	6.500

Available in standard radius and special radius with plain end or one integral bell, as pictured above
 Depending upon trade size, common radii include 18", 24", 36", 48", 60"
 *UL 651 does not include 8"

