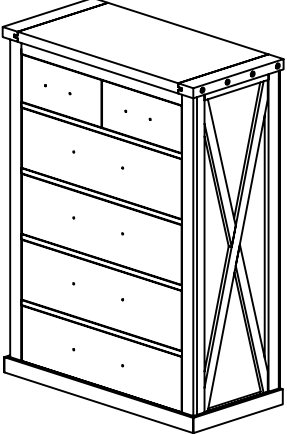
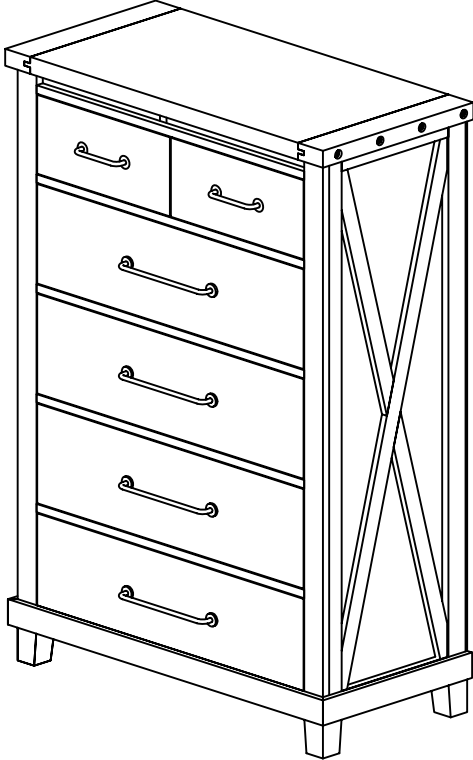






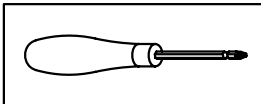


# YOSEMITE CHEST ASSEMBLY INSTRUCTIONS



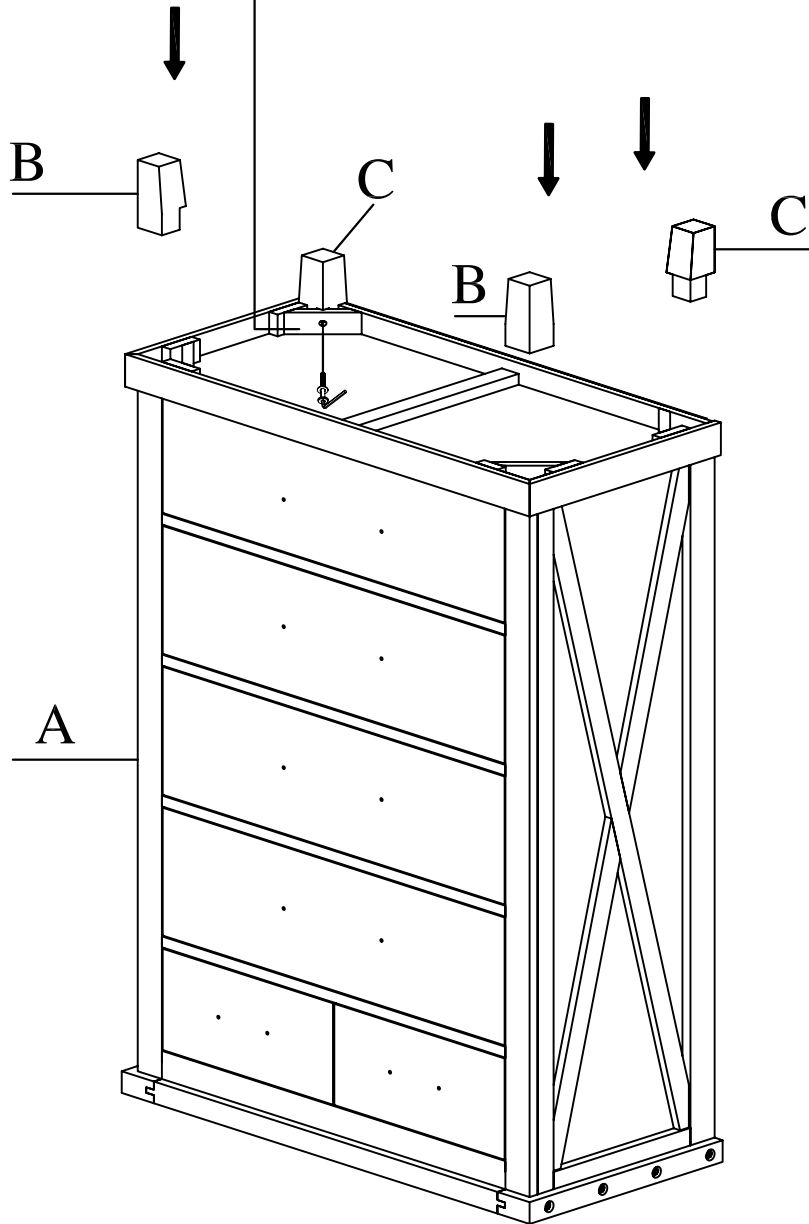
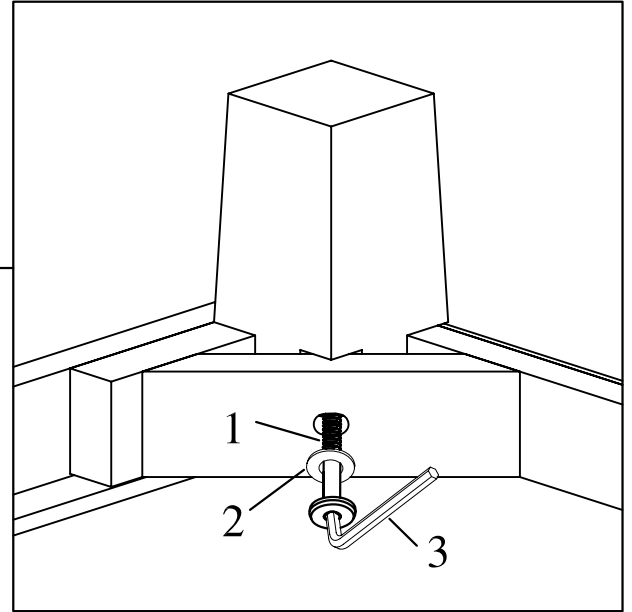
|  |  |
|--|--|
| <p>A. CHEST 1PC</p>             | <p style="text-align: center;">CHEST ASSEMBLED</p>  |
| <p>B. FRONT LEGS 2PCS</p>       |  |
| <p>C. BACK LEFT LEG 1PC</p>   |  |
| <p>D. BACK RIGHT LEG 1PC</p>  |  |

## HARDWARE ARE PACKED IN BOX

|   |                          |           |          |  |           |  |                    |          |
|---|--------------------------|-----------|----------|--|-----------|--|--------------------|----------|
| <b>1</b>  | ALLEN BOLT<br>M6 x 50 MM | 04<br>PCS | <b>2</b> | WASHER<br>M8   | 04<br>PCS | <b>3</b>   | ALLEN KEY<br>(4MM) | 01<br>PC |
|  |                          |           |          |   |           |  |                    |          |
| <b>TOOL REQUIRED</b>  |                          |           |          |  |           |  |                    |          |
| PHILLS HEAD SCREW<br>DRIVER NOT PROVIDED  |                          |           |          |  |           |  |                    |          |

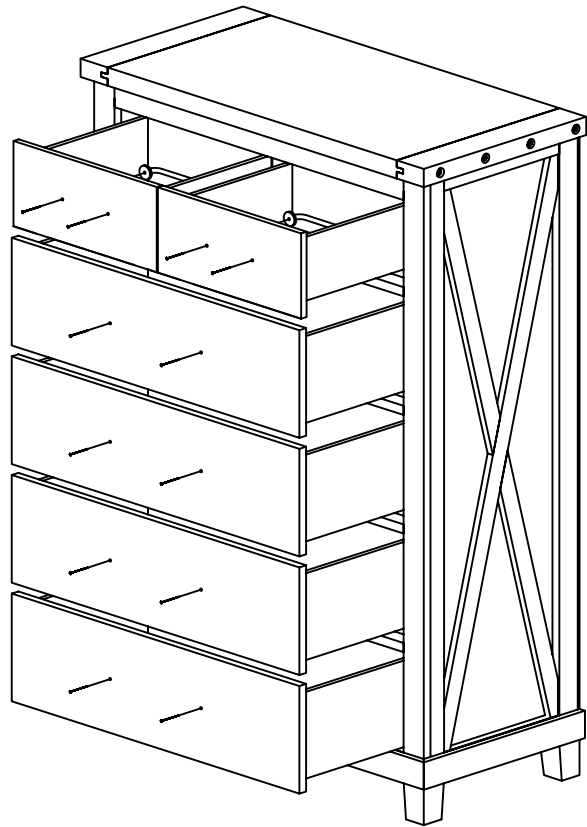
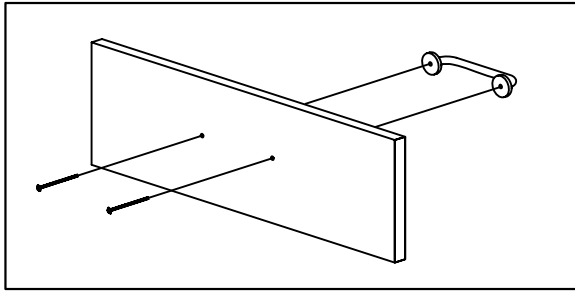
**STEP 1:**

**FASTEN THE LEG (B),(C),(D) TO THE CHEST (A), WITH BOLTS (1) AND WASHERS (2).**



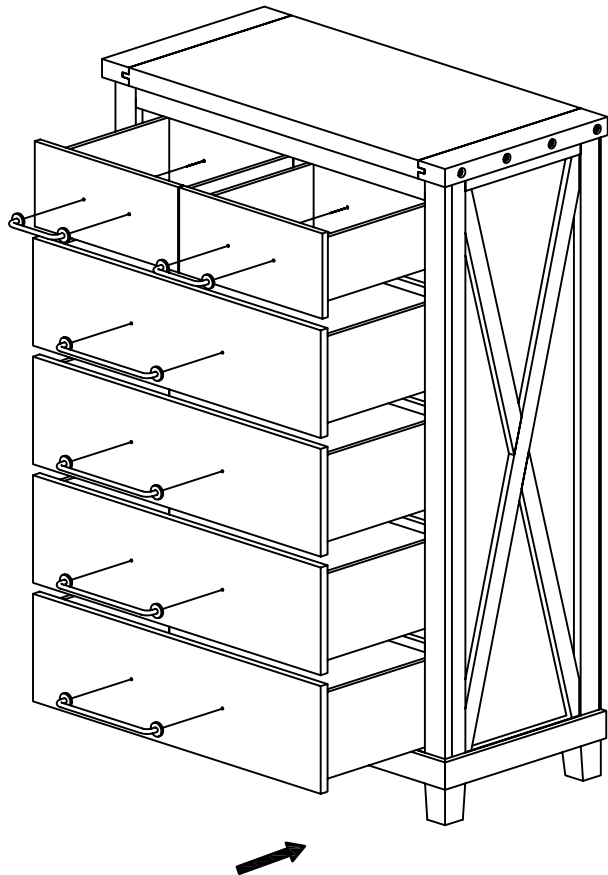
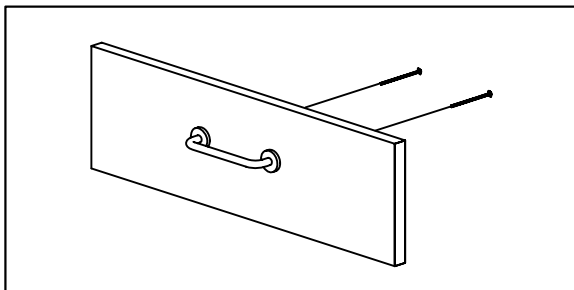
**STEP 2:**

**PULL OUT AND REMOVE HANDLE.**



**STEP 3:**

**ASSEMBLE HANDLE.**



**STEP 4:**  
**ASSEMBLY COMPLETE.**

