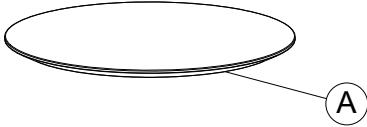


VIRTON COFFEE TABLE ASSEMBLY INSTRUCTIONS

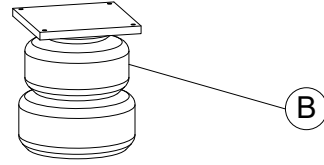


PARTS PACKING CONFIGURATIONS

BOX # 1
A. TABLE TOP 1PC



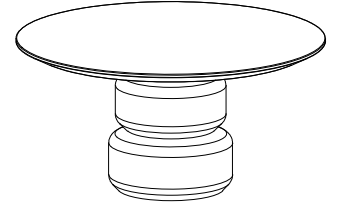
BOX # 2
B. BASE 1PC



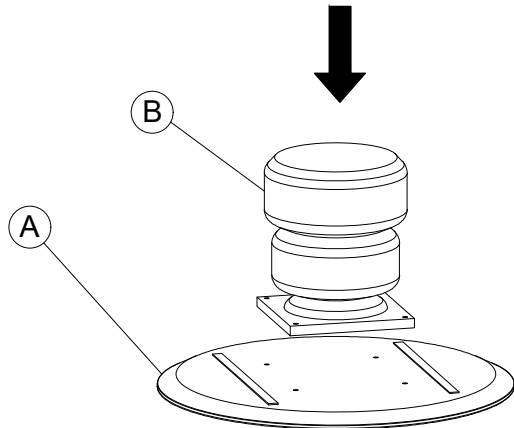
HARDWARE KIT PACKED IN BOX # 2

NO.	DESCRIPTION	IMAGE	Q'TY
1	ALLEN BOLT (8X40mm)		4 PCS
2	FLAT WASHER (8X25mm)		4 PCS
3	ALLEN KEY (5mm)		1 PC

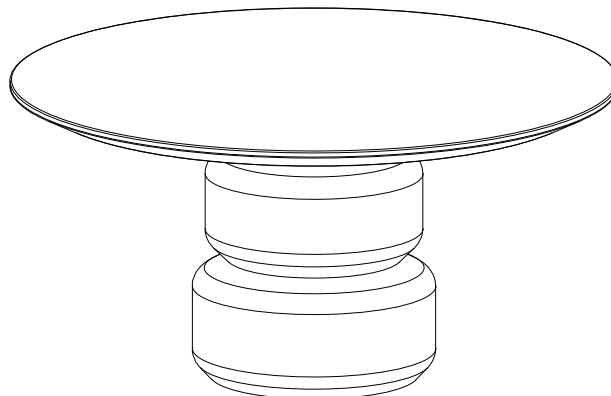
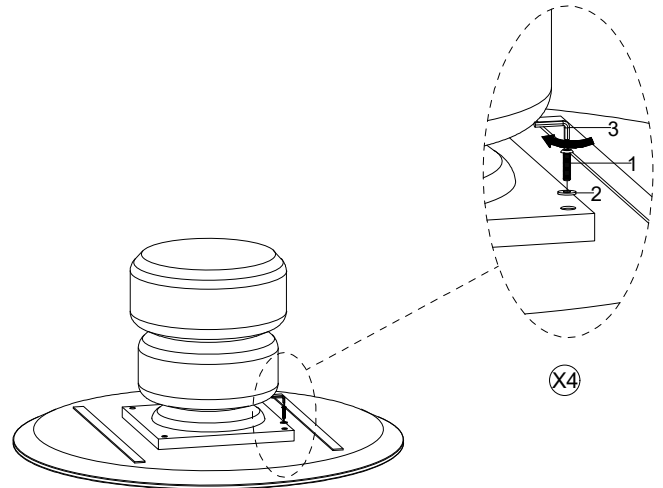
FULLY ASSEMBLED



STEP 1:



STEP 2:



ASSEMBLY COMPLETE